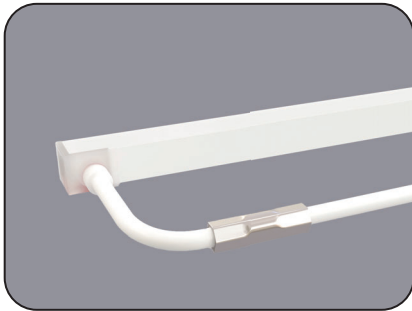
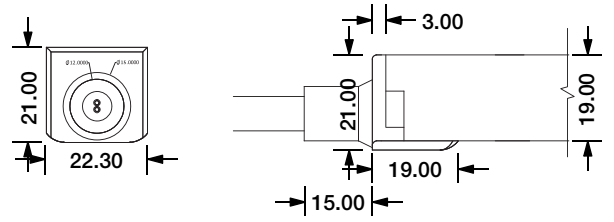


SF34 Configuration and Accessories

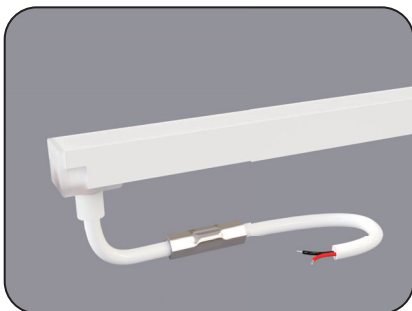
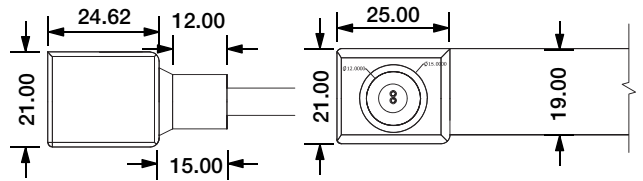
Mold injection Connector (IP68 Factory Assembly Only)



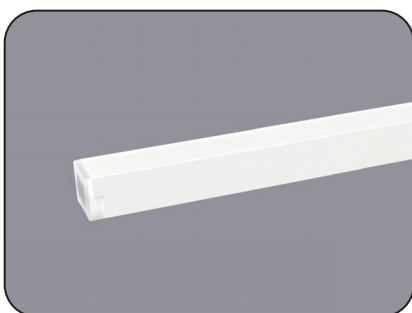
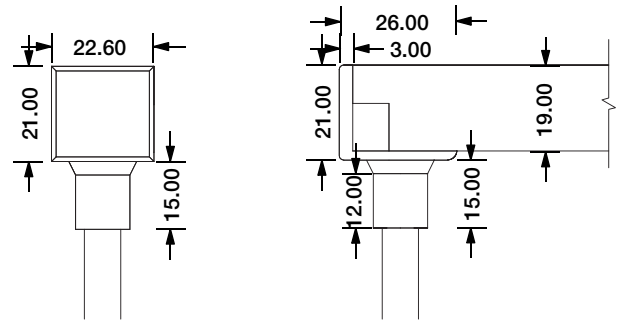
Direct Entry Connector
 MJ-SF34-A-D01/02/03
 MJ-SF34-A-D01SM
 MJ-SF34-A-D02SF
 MJ-SF34-A-D03SFM



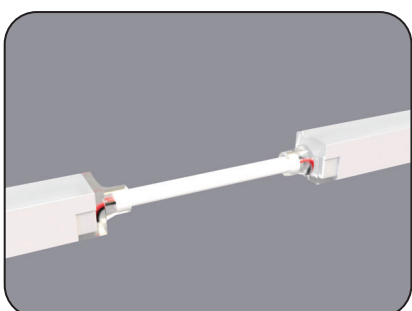
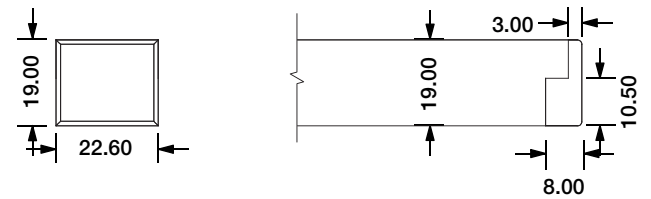
Side Entry Connector
 MJ-SF34-A-S01/02/03
 MJ-SF34-A-S01SM
 MJ-SF34-A-S02SF
 MJ-SF34-A-S03SFM



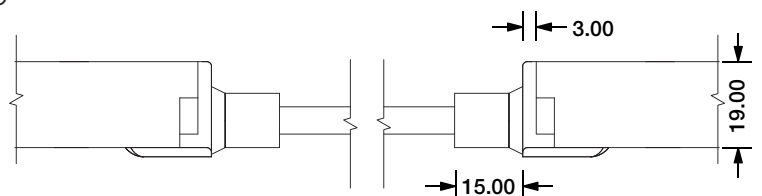
Bottom Entry Connector
 MJ-SF34-A-B01/02/03
 MJ-SF34-A-B01SM
 MJ-SF34-A-B02SF
 MJ-SF34-A-B03SFM



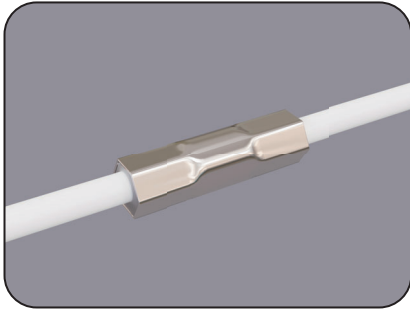
End Cap



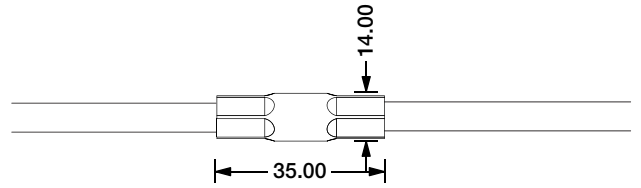
Jumper
 MJ-SF34-A-D-JC



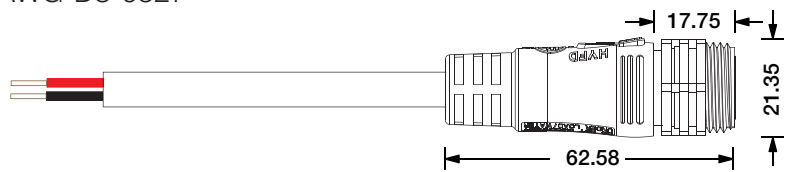
SF34 Configuration and Accessories



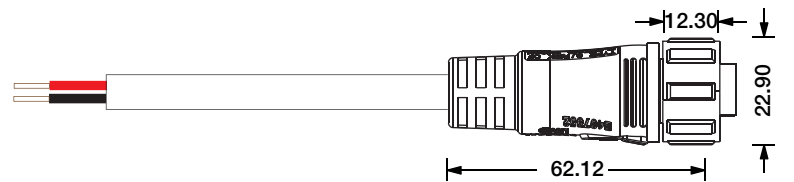
Waterproof Interrupter



Male Connector
SQ19-M-2C-13AWG-D8-0327

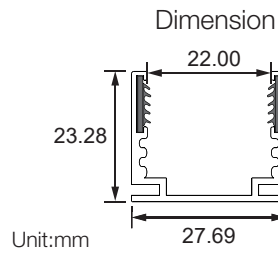


Female Connector
SQ19-F-2C-13AWG-D8-0327

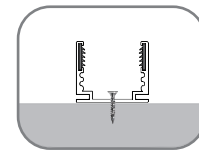


LED Linear Flex Mounting Channel

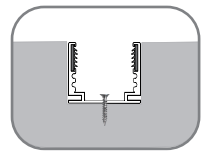
1. Aluminum Channel



Installation Way

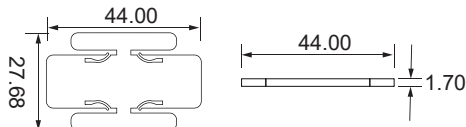
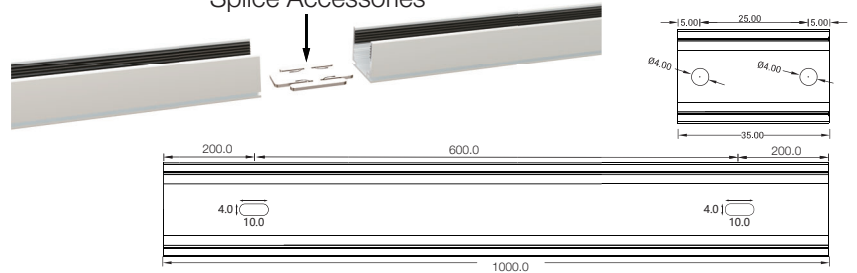


Surface Mounted

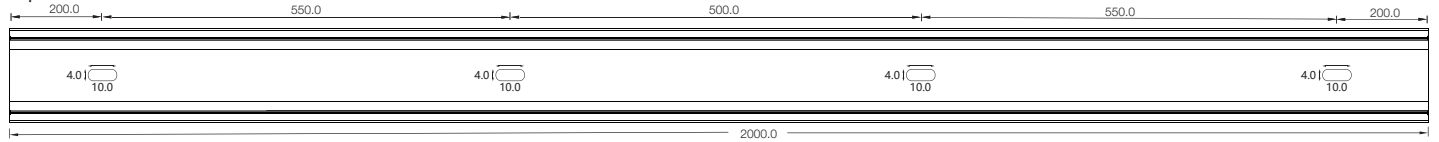


Recessed

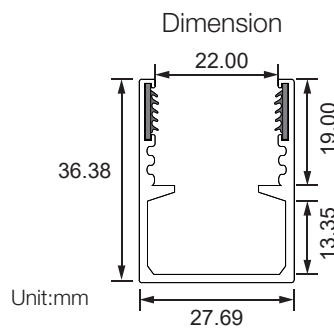
Splice Accessories



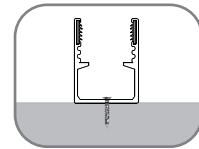
Splice Accessories: ALC34S01-SP



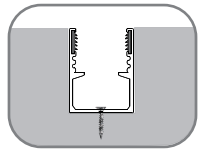
Model	W x H(mm)	Standard Length	Screw Holes	Holes Numbers	Suitable Product
ALC34S01-035	27.69*23.28	35mm	Φ4.0mm	2	SF34
ALC34S01-100		1000mm	○4.0mm	2	SF34
ALC34S01-200		2000mm	○4.0mm	4	SF34



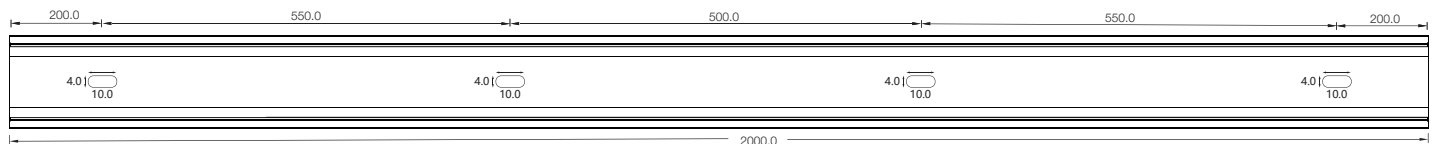
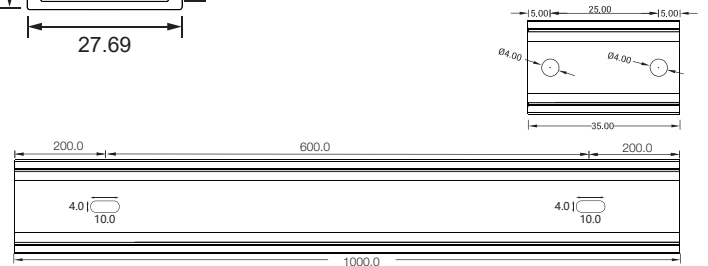
Installation Way



Surface Mounted



Recessed



Model	W x H(mm)	Standard Length	Screw Holes	Holes Numbers	Suitable Product
ALC34H01-035	27.69*36.38	35mm	Φ4.0mm	2	SF34
ALC34H01-100		1000mm	○4.0mm	2	SF34
ALC34H01-200		2000mm	○4.0mm	4	SF34

Product Packing Details



Standard : Carton (Paper Reel Inside)

Product	Packing Dimension 1	Length	Gross Weight	Packing Dimension 2	Length	Gross Weight
F15/SF15	41*41*5cm	5m	2.5kg	57*48*6cm	10m	5kg
F16/SF16	41*41*5cm	5m	2.6kg	63*53*6cm	10m	5.2kg
SF17	41*41*5cm	5m	2.6kg	63*53*6cm	10m	5.2kg
SF18	41*41*5cm	5m	2.6kg	63*53*6cm	10m	5.2kg
F21/SF21	41*41*5cm	5m	3.1kg	57*48*6cm	10m	6.2kg
SF10	41*41*5cm	5m	2.0kg	57*48*6cm	10m	4kg
SF09	41*41*5cm	5m	1.5kg	57*48*6cm	10m	3kg
S08	41*41*5cm	5m	1.5kg	57*48*6cm	10m	3kg
S06	41*41*5cm	5m	1.5kg	57*48*6cm	10m	3kg
SP05	41*41*5cm	5m	1.35kg	57*48*6cm	10m	2.6kg
SP01	41*41*5cm	5m	1.6kg	57*48*6cm	10m	3.1kg



Custom : Carton (White Box+Plastic Plate Inside)

Product	Packing Dimension 1	Length	Gross Weight	Packing Dimension 2	Length	Gross Weight
F15/SF15	41*41*5cm	5m	2.5kg	57*48*6cm	10m	5kg
F16/SF16	41*41*5cm	5m	2.6kg	63*53*6cm	10m	5.2kg
SF17	41*41*5cm	5m	2.6kg	63*53*6cm	10m	5.2kg
SF18	41*41*5cm	5m	2.6kg	63*53*6cm	10m	5.2kg
F21/SF21	41*41*5cm	5m	3.1kg	57*48*6cm	10m	6.2kg
SF10	41*41*5cm	5m	2.0kg	57*48*6cm	10m	4kg
SF09	41*41*5cm	5m	1.5kg	57*48*6cm	10m	3kg
S08	41*41*5cm	5m	1.5kg	57*48*6cm	10m	3kg
S06	41*41*5cm	5m	1.5kg	57*48*6cm	10m	3kg
SP05	41*41*5cm	5m	1.35kg	57*48*6cm	10m	2.6kg
SP01	41*41*5cm	5m	1.6kg	57*48*6cm	10m	3.1kg
SF24	85*73*6cm	10	8kg	85*73*11cm	10	15kg
SF33	63*53*6cm	3m	3.3kg	85*73*6cm	10m	9.7kg
SF34	63*53*6cm	3m	3.1kg	85*73*6cm	10m	9kg
SF30	85*73*6cm	8m	10.5kg	85*73*11cm	16m	20kg