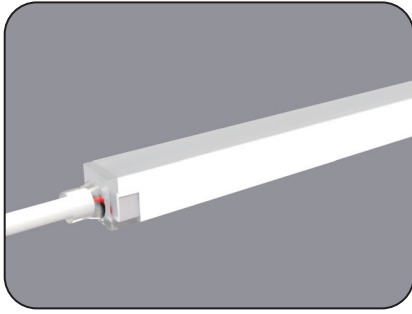


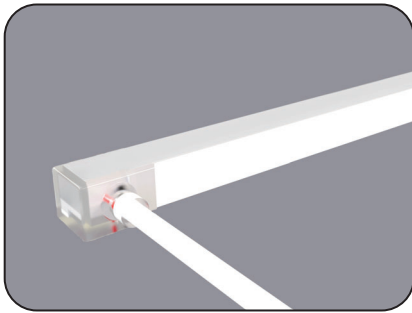
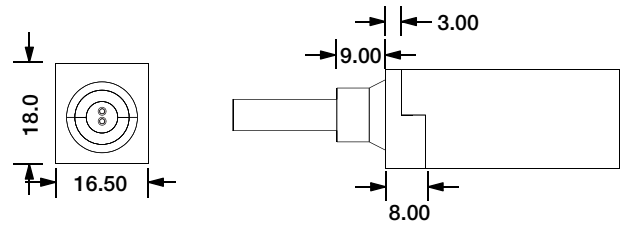
SF28 Configuration and Accessories

Mold injection Connector

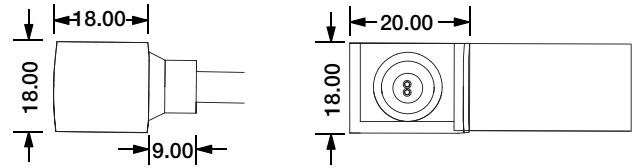
(IP68 Factory Assembly Only)



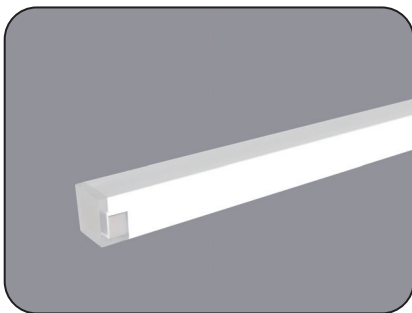
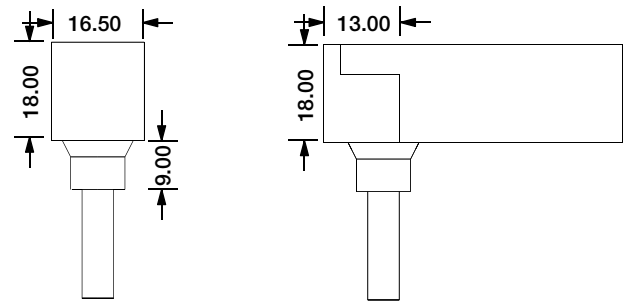
Direct Entry Connector
 MJ-SF28-A-D01/02/03
 MJ-SF28-A-D01SM
 MJ-SF28-A-D02SF
 MJ-SF28-A-D03SFM



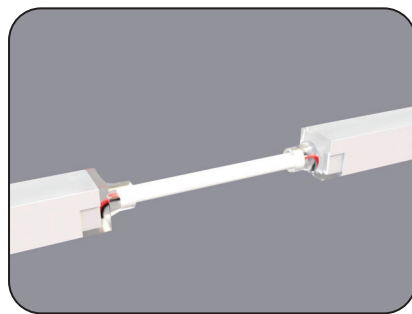
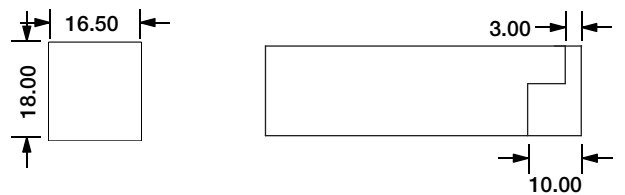
Side Entry Connector
 MJ-SF28-A-S01/02/03
 MJ-SF28-A-S01SM
 MJ-SF28-A-S02SF
 MJ-SF28-A-S03SFM



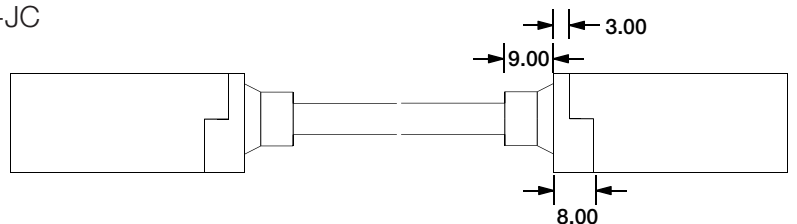
Bottom Entry Connector
 MJ-SF28-A-B01/02/03
 MJ-SF28-A-B01SM
 MJ-SF28-A-B02SF
 MJ-SF28-A-B03SFM



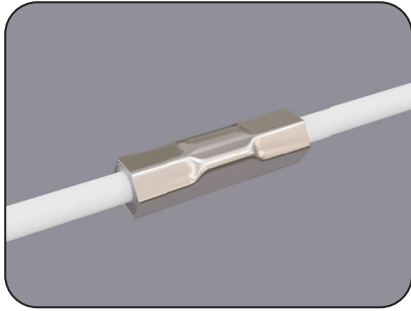
End Cap



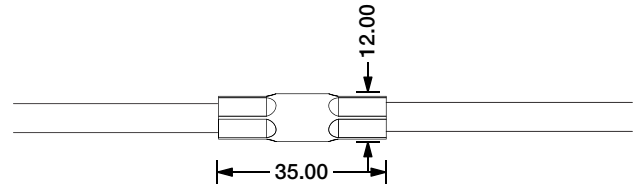
Jumper
 MJ-SF28-A-D-JC



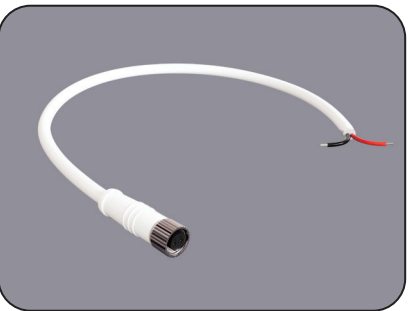
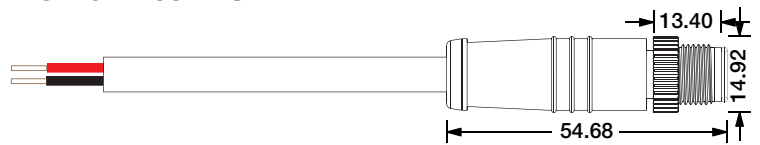
SF28 Configuration and Accessories



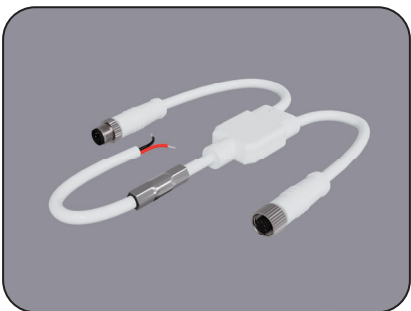
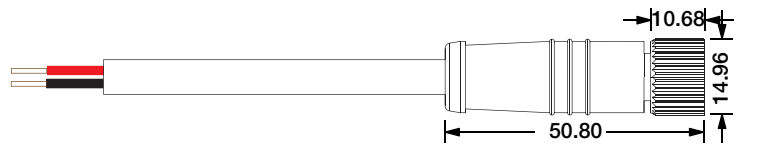
Waterproof Interrupter



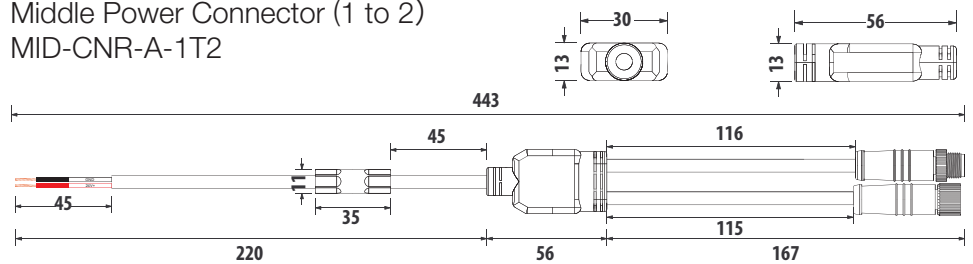
Male Connector
M12-M-2C-18AWG-D6-W-0327-S



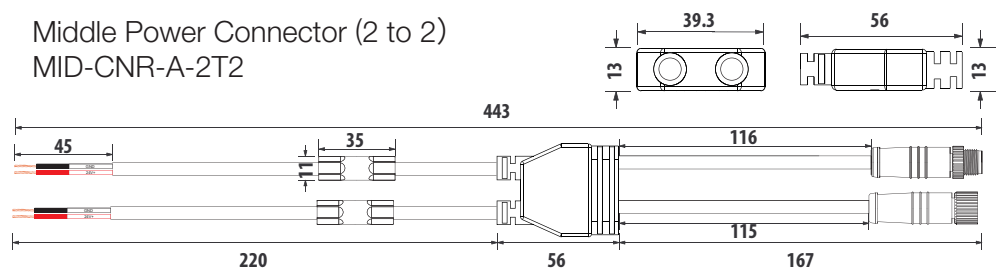
Female Connector
M12-F-2C-18AWG-D6-W-0327-S



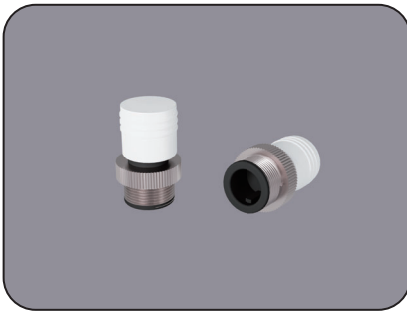
Middle Power Connector (1 to 2)
MID-CNR-A-1T2



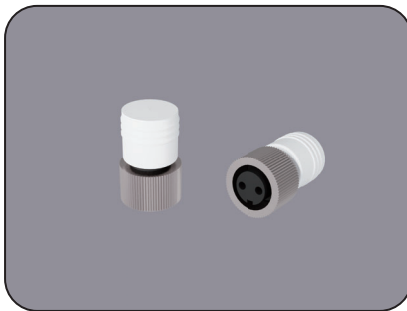
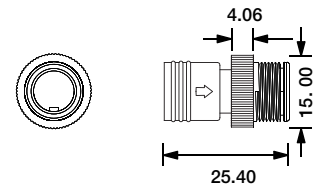
Middle Power Connector (2 to 2)
MID-CNR-A-2T2



SF28 Configuration and Accessories



Male Connector End Cap
SYZ-EC-M12-M



Female Connector End Cap
SYZ-EC-M12-F-2C

