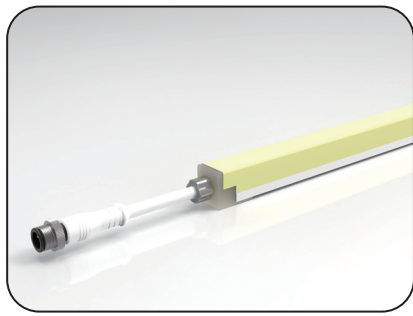
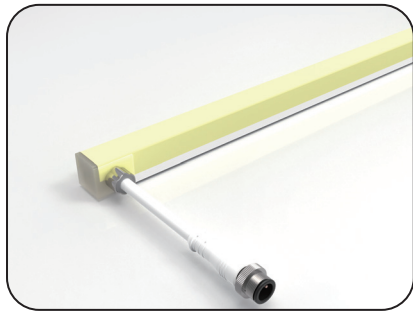
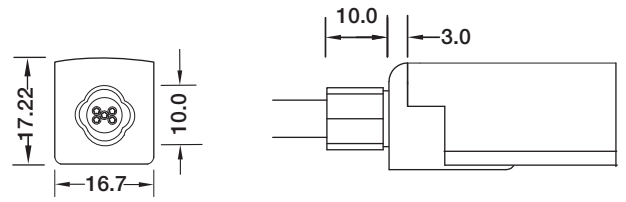


T18 Configuration and Accessories

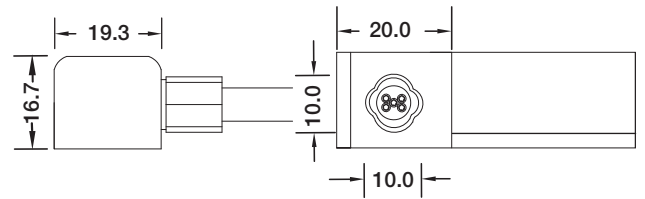
Mold Injection Connector (IP68 Factory Assembly Only)



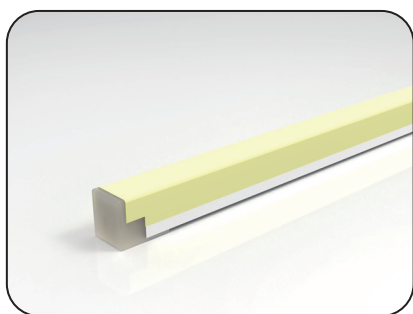
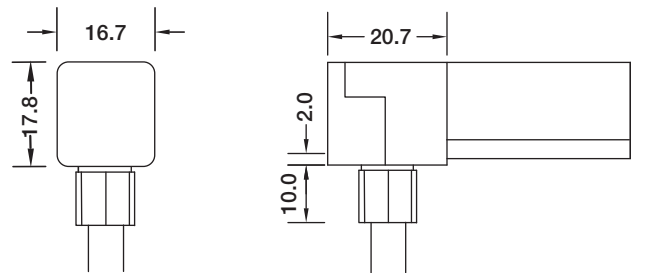
Direct Entry Connector
MJ-18-D5-D02SM
MJ-18-D5-D03SFM



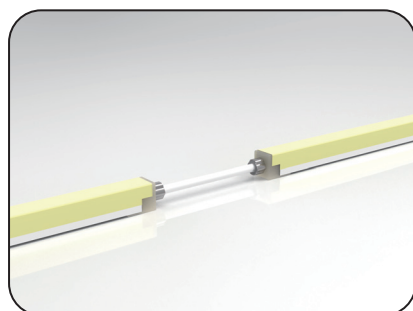
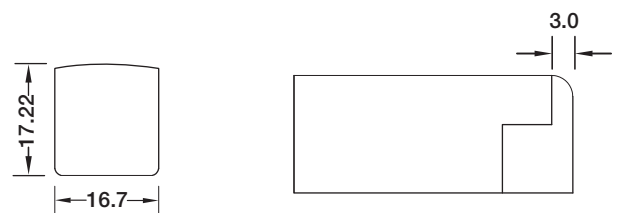
Side Entry Connector
MJ-18-D5-S02SM
MJ-18-D5-S03SFM



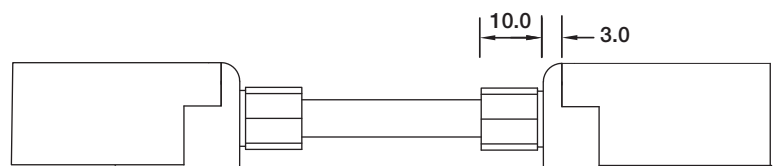
Bottom Entry Connector
MJ-18-D5-S02SM
MJ-18-D5-S03SFM



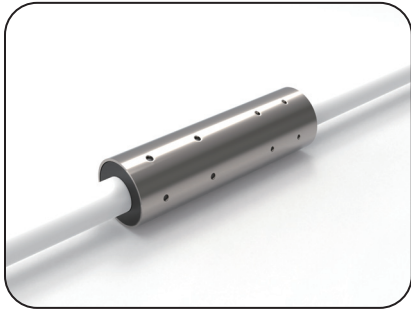
End Cap



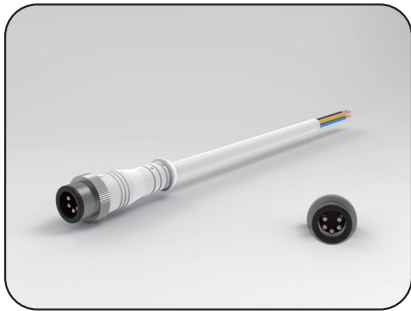
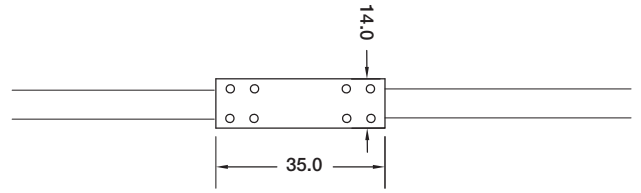
Jumper
MJ-18-D5-D-JC



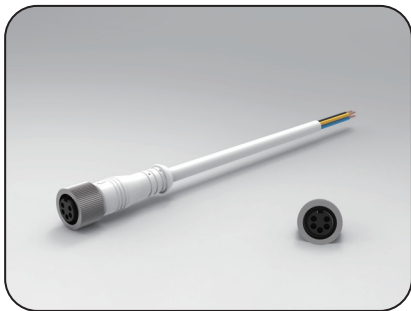
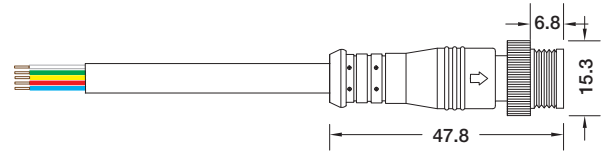
T18 Configuration and Accessories



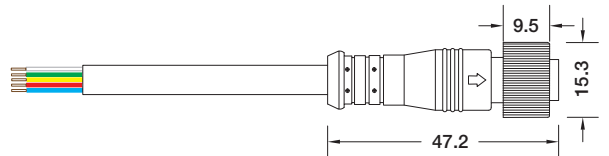
Waterproof Interrupter



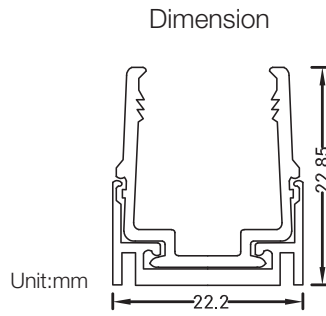
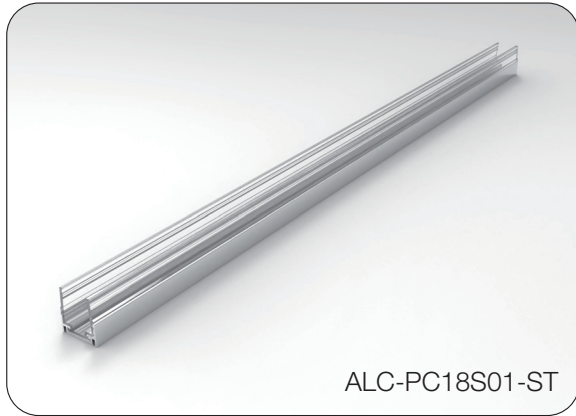
Male Connector
SYZ-M12-M-5C-05-W



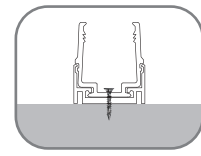
Female Connector
SYZ-M12-F-5C-05-W



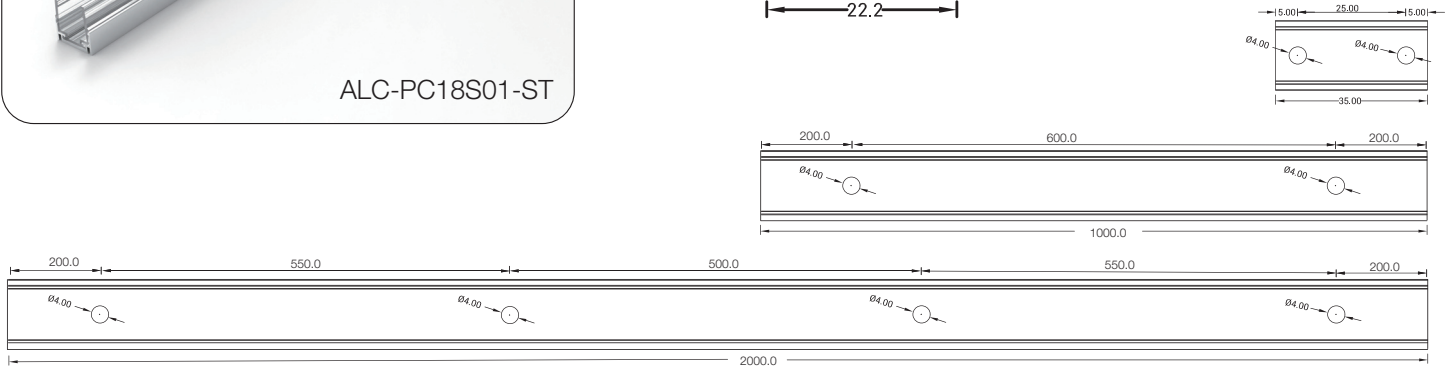
LED linear Flex Mounting Channel



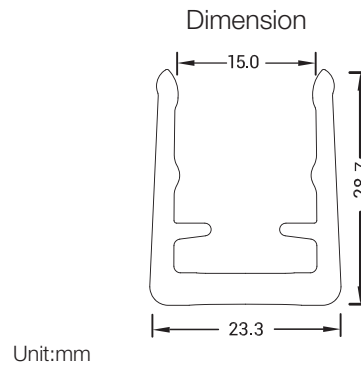
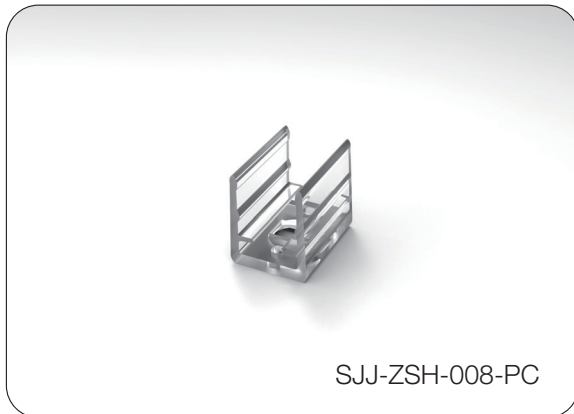
Installation Way



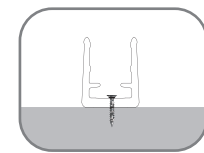
Surface Mounted



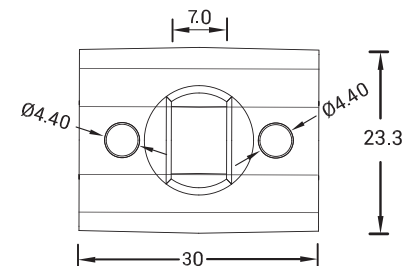
Model	W x H(mm)	Standard Length	Screw Holes	Holes Numbers	Suitable Product
ALC-PC18S01-ST	22.2*22.85	35mm	Φ4.0mm	2	T16, S17, T18, SF16, SF17, SF18
		1000mm	Φ4.0mm	2	T16, S17, T18, SF16, SF17, SF18
		2000mm	Φ4.0mm	4	T16, S17, T18, SF16, SF17, SF18



Installation Way



Surface Mounted



Model	W x H(mm)	Standard Length	Screw Holes	Holes Numbers	Suitable Product
SJJ-ZSH-008-PC	23.3*28.7	30mm	Φ4.40mm	2	T16, S17, T18, SF16, SF17, SF18

LED linear Flex Packing Details

Standard: Carton (Paper Reel Inside)



Product	Max.Length	Carton Size	Net Weight	Gross Weight
S15/SF15	30m	34*34*18cm	12kg	13.6kg
T16/SF16	20m	34*34*18cm	8.6kg	10.2kg
S17/SF17	20m	34*34*18cm	8.6kg	10.2kg
T18/SF18	20m	34*34*18cm	8.6kg	10.2kg
S21/SF21	20m	34*34*18cm	10.4kg	12.0kg
T10/SF10	30m	34*34*18cm	9.6kg	11.2kg
S09/SF09	35m	34*34*18cm	5.8kg	7.4kg
S08/SF08	30m	34*34*18cm	7.2kg	8.8kg
S06/SF06	30m	34*34*18cm	7.2kg	8.8kg

Custom: Carton (White Box+ Plastic Plate Inside)



Product	Package 1 Dimension	Length	Gross Weight	Package 2 Dimension	Length	Gross Weight
S15/SF15	38*38*3cm	5m	2.5kg	45*55*3cm	10m	5kg
T16/SF16	38*38*3cm	5m	2.6kg	51*61*4cm	10m	5.2kg
S17/SF17	38*38*3cm	5m	2.6kg	51*61*4cm	10m	5.2kg
T18/SF18	38*38*3cm	5m	2.6kg	51*61*4cm	10m	5.2kg
S21/SF21	38*38*3cm	5m	3.1kg	51*61*4cm	10m	6.2kg
T10/SF10	38*38*3cm	5m	2.0kg	45*55*3cm	10m	4kg
S09/SF09	38*38*3cm	5m	1.5kg	45*55*3cm	10m	3kg
S08/SF08	38*38*3cm	5m	1.5kg	45*55*3cm	10m	3kg
S06/SF06	38*38*3cm	5m	1.5kg	45*55*3cm	10m	3kg