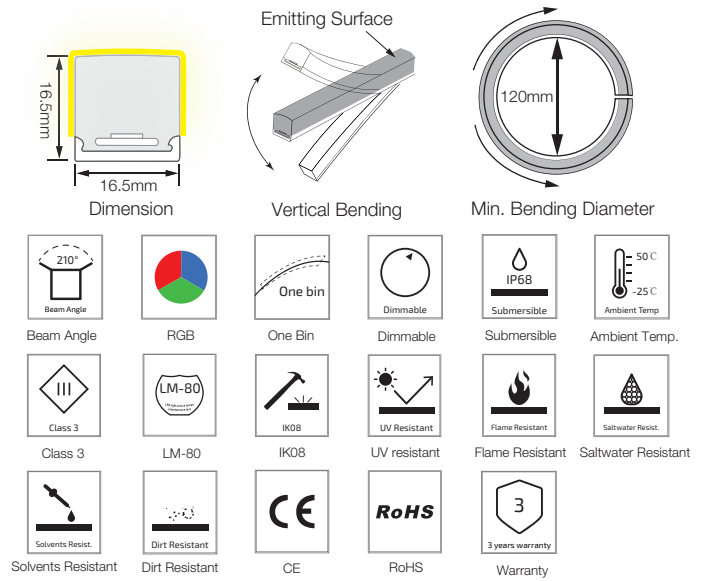
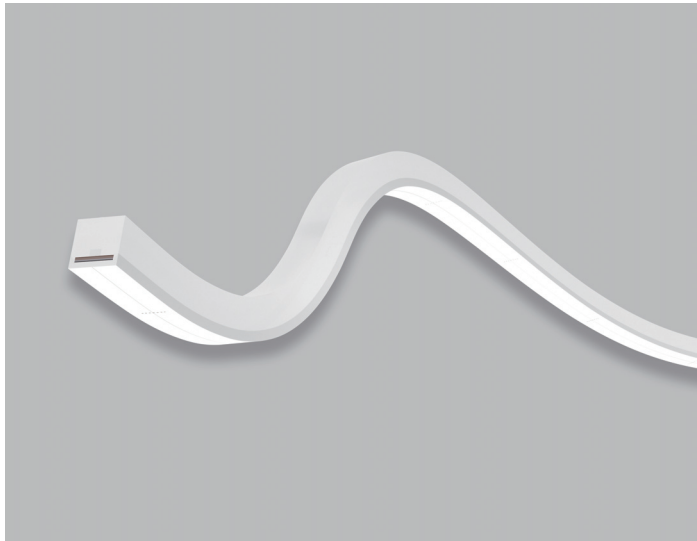


T18 Multi Color RGB LED Linear Flex

T18-24V-5050-72-RGB

Specification

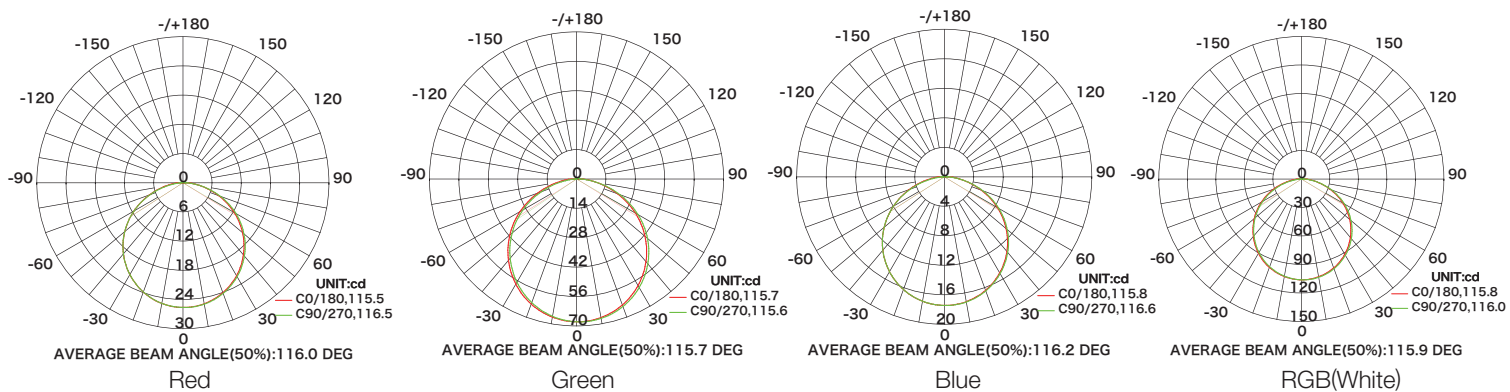


Technical Parameters

Electrical	
Input Voltage	24V DC
Power Consumption	13W/m
Physical	
LED Count	72 LEDs/m
Cutting Unit	6 LEDs
Cutting Unit Length	83.3mm
Minimum Bend Diameter	120mm
Output	
LED Light	Epistar SMD LED 5050
Color	RGB
Max Run Length*	
Single Feed	10M
Double Feed	20M
Beam Angle	210°
Lumen Maintenance	70,000 Hours L70 @ 25°C 50,000 Hours L70 @ 50°C
Temperature Ranges	
Installation	0°C to 50°C
Operating	-25°C to 50°C
Dependability	
Warranty	3 Years Warranty
IP Rating	IP68 Wet location submersible <2m

Emitting Color	Lumen Output
 Red	140lm/m
 Green	300lm/m
 Blue	80lm/m
 RGB(White)	550lm/m

Illuminance Distribution



T18 Multi Color RGB LED Linear Flex

Connection

