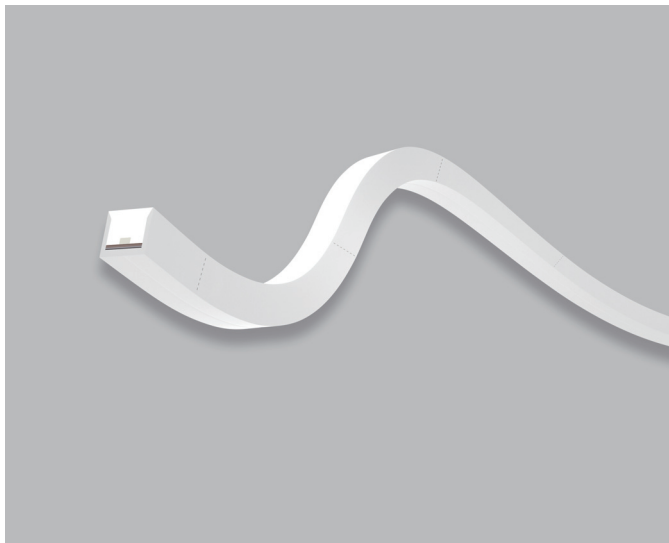


S16 Mono Color LED Linear Flex

S16-24V-3528-144-2200K-6500K

Specification



Dimension

Vertical Bending

Min. Bending Diameter

Beam Angle

Ansi C78.377

4 SDCM

One Bin

Dimmable

IP68 Submersible

Ambient Temp.

Class 3

LM-80

IK08

UV Resistant

Flame Resistant

Saltwater Resistant

Solvents Resistant

Dirt Resistant

CE

RoHS

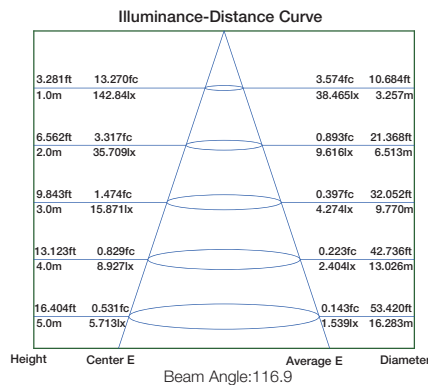
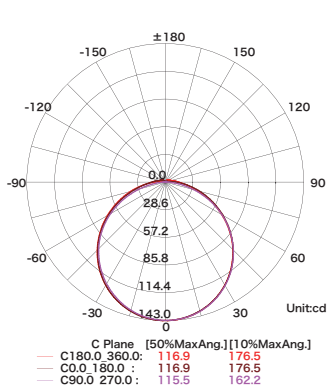
UL Listed

3 years warranty
Warranty

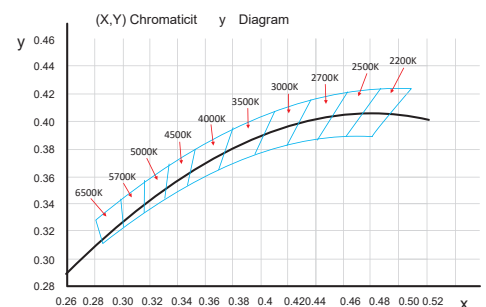
Technical Parameters

Electrical		Optional Color		Lumen Output	
Input Voltage	24V DC		2200K(2238±102K)	400lm/m	
Power Consumption	10W/m		2700K(2725±145K)	420lm/m	
Physical			3000K(3045±175K)	450lm/m	
LED Count	144 LEDs/m		3500K(3465±245K)	450lm/m	
Cutting Unit	12 LEDs		4000K(3985±275K)	460lm/m	
Cutting Unit Length	83.3 mm		4500K(4503±243K)	460lm/m	
Minimum Bend Diameter	80mm		5000K(5029±283K)	470lm/m	
Output			6500K(6532±510K)	470lm/m	
LED Light	Epistar SMD LED 3528		Green(520-530nm)	390lm/m	
CRI	>80, >90		Blue (520-530nm)	72lm/m	
Max Run Length*			Red (620-630nm)	120lm/m	
Single Feed	10M		Pink(630-645nm)	190lm/m	
Double Feed	20 M		Amber (585-595nm)	110lm/m	
Beam Angle	120°		Orange(630-645nm)	80lm/m	
Lumen Maintenance	70,000 Hours L70 @ 25°C 50,000 Hours L70 @ 50°C				
Temperature Ranges					
Installation	0°C to 50°C				
Operating	-25°C to 50°C				
Dependability					
Warranty	3 Years Warranty				
IP Rating	IP68 Wet location submersible <2m				

Illuminance Distribution

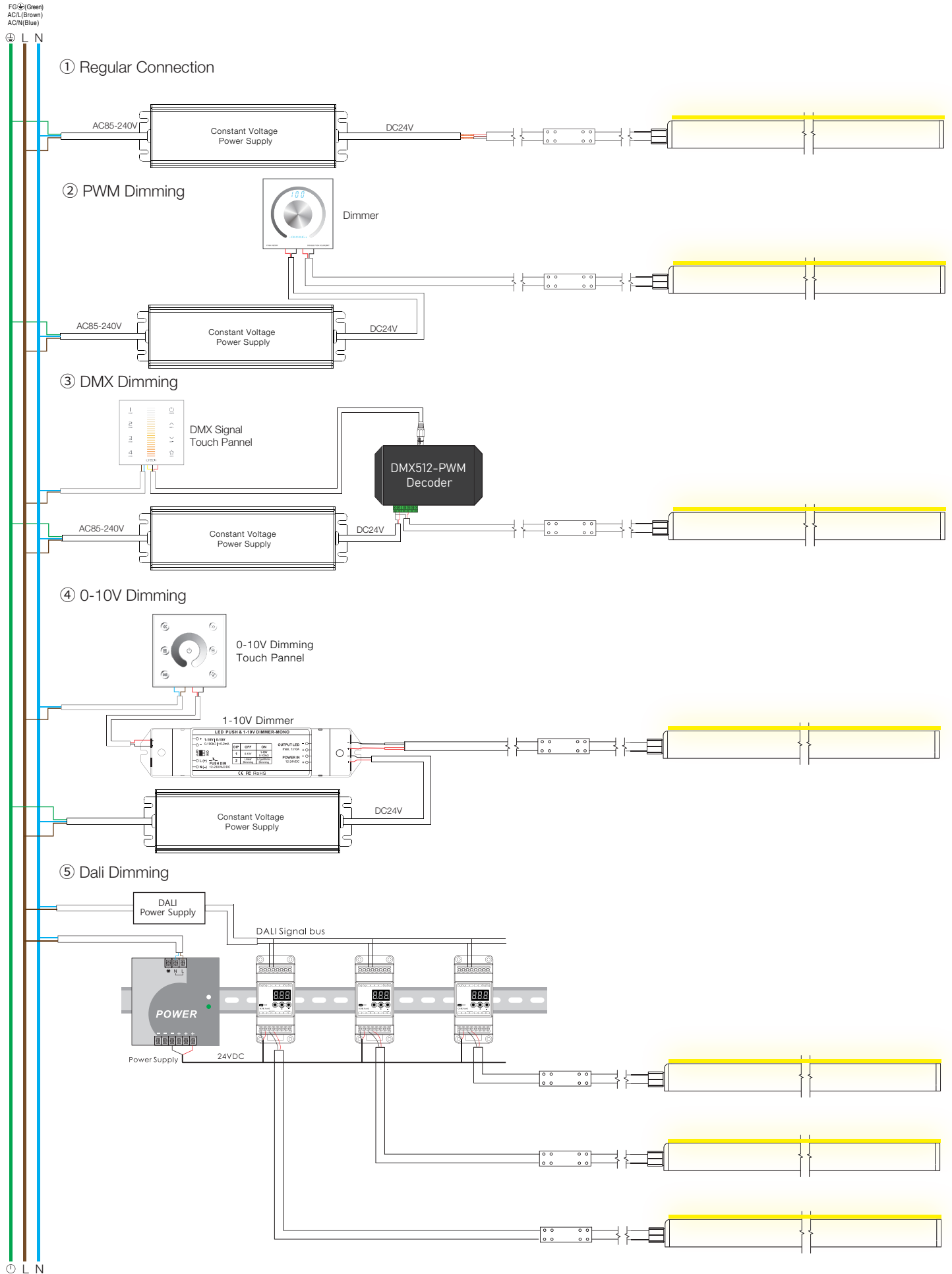


White Color Charts



S16 Mono Color LED Linear Flex

Connection



⊕ L N