

SPI Signal Amplifier



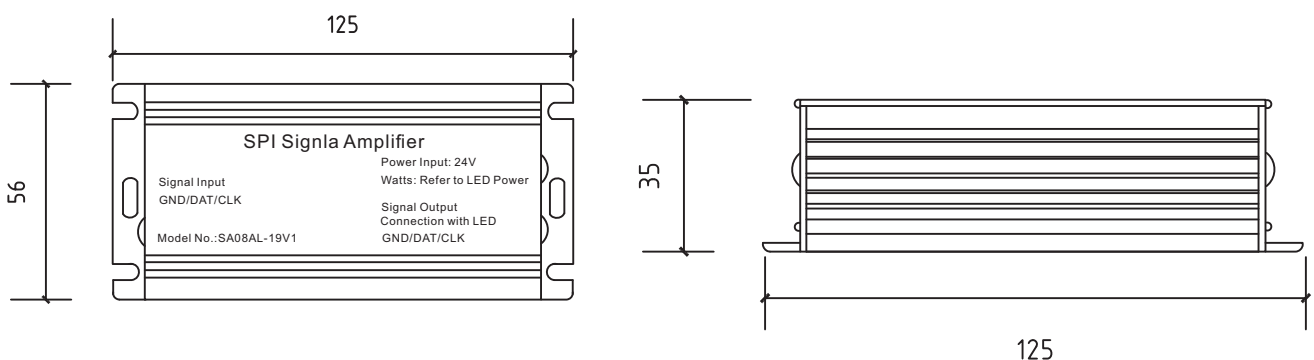
A. Product feature:

1. The isolation performance is good, and the input terminal and the output terminal are completely electrically isolated.
2. Signal one-way transmission, the output signal has no feedback to the input end, which can effectively prevent the interference of the lamp circuit and the lamp power supply ripple on the control bus. But does not cut off the signal between them.
3. The optical signal is not subject to electromagnetic interference, and the work is stable and reliable.
4. The optocoupler has fast response speed and high transmission efficiency.
5. Bus input and output achieve super strong signal protection.
6. Ip68 rated protection, suit for outdoor using.

B. Parameter:

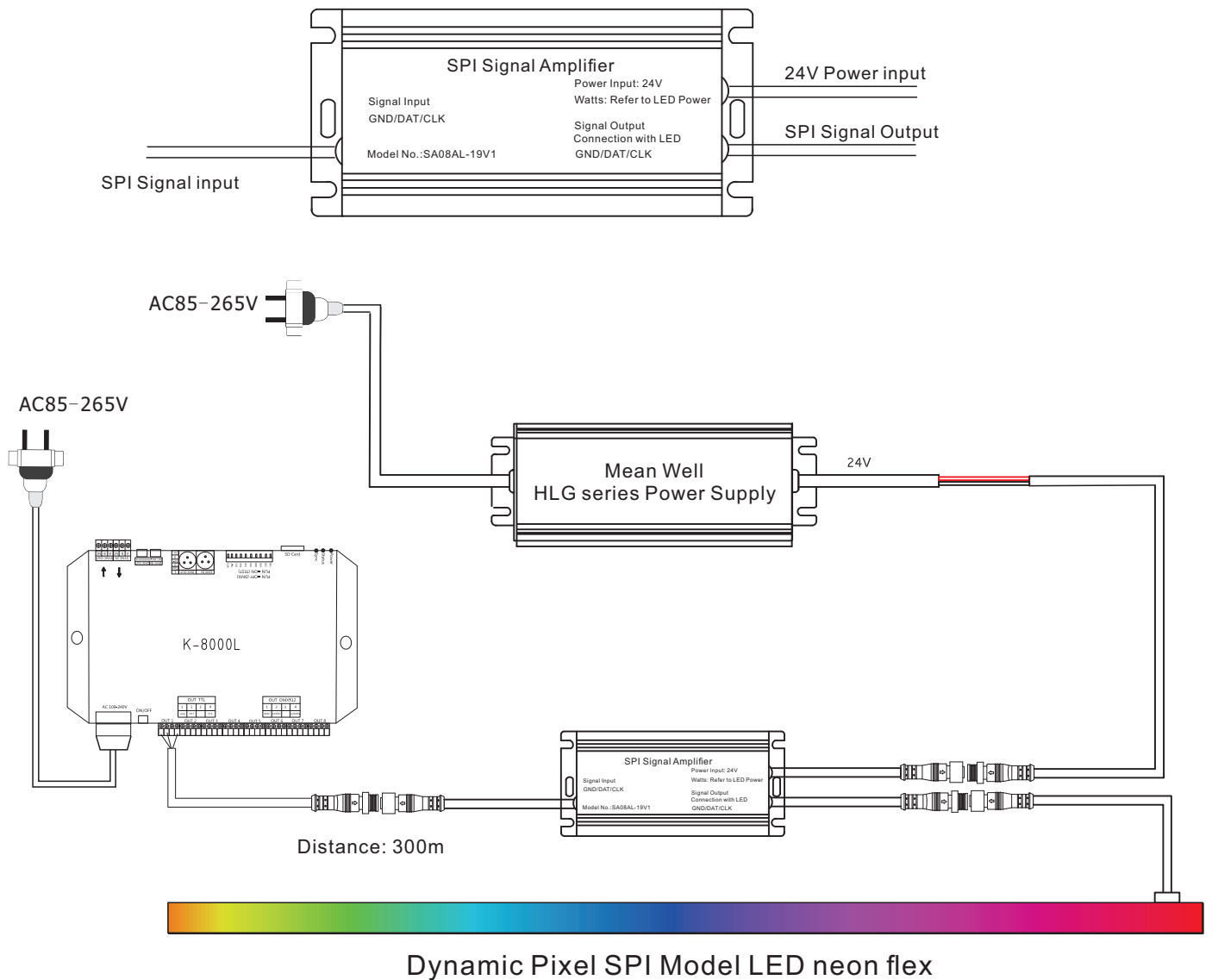
Part No.	Input voltage	Output	Gross weight	Dimension (mm)
SA08AL-19V1	24V	TTL/SPI	0.35kg	125*56*35

C. Product Size:



125

D. Connection Diagram:



E. Safe and warning:

- 1) The product shall be installed and serviced by a qualified person.
- 2) Always be sure to mount this unit in an area with proper ventilation to avoid overheating.
- 3) Please check if the output voltage of any LED power supplies used comply with the working voltage of the product.
- 4) Never connect any cables while power is on and always assure correct connections to avoid short circuits before switching on.
- 5) Please ensure that the cable is secured tightly in the connector
- 6) For update information please consult your supplier.
- 7) Please ensure that the cable is secured tightly in the connector.