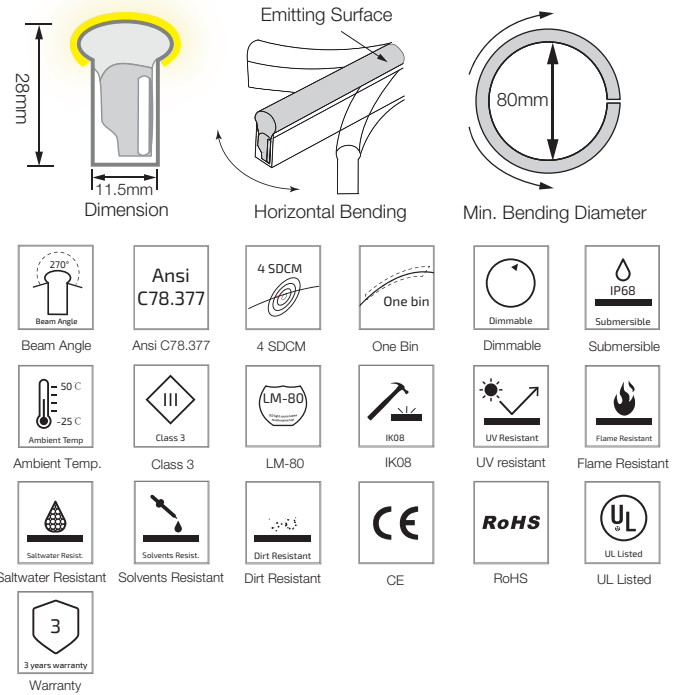


SF21 Mono Color LED Linear Flex

SF21-24V-5050-60-2200K-6500K

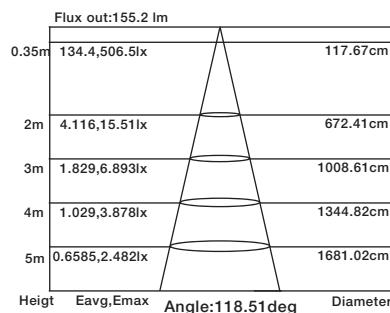
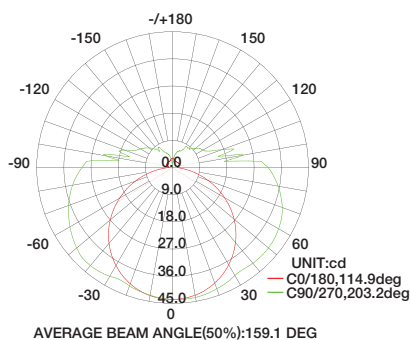
Specification



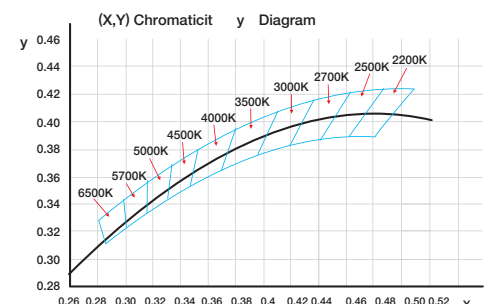
Technical Parameters

Electrical		Optional Color		Lumen Output
Input Voltage	24V DC		2200K(2238±102K)	340lm/m
Power Consumption	12W/m		2700K(2725±145K)	340lm/m
Physical			3000K(3045±175K)	360lm/m
LED Count	60 LEDs/m		3500K(3465±245K)	360lm/m
Cutting Unit	6 LEDs		4000K(3985±275K)	360lm/m
Cutting Unit Length	100mm		4500K(4503±243K)	340lm/m
Minimum Bend Diameter	80mm		5000K(5029±283K)	340lm/m
Output			6500K(6532±510K)	340lm/m
LED Light	Epistar SMD LED 5050		Green(520-530nm)	260lm/m
CRI	>80, >90		Blue (520-530nm)	46lm/m
Max Run Length*			Lemon Yellow(520-530nm)	400lm/m
Single Feed	10M		Pink(630-645nm)	210lm/m
Double Feed	20M			
Beam Angle	270°			
Lumen Maintenance	70,000 Hours L70 @ 25°C 50,000 Hours L70 @ 50°C			
Temperature Ranges				
Installation	0°C to 50°C			
Operating	-25°C to 50°C			
Dependability				
Warranty	3 Years Warranty			
IP Rating	IP68 Wet location submersible <2m			

Illuminance Distribution



White Color Charts



SF21 Mono Color LED Linear Flex

Connection

