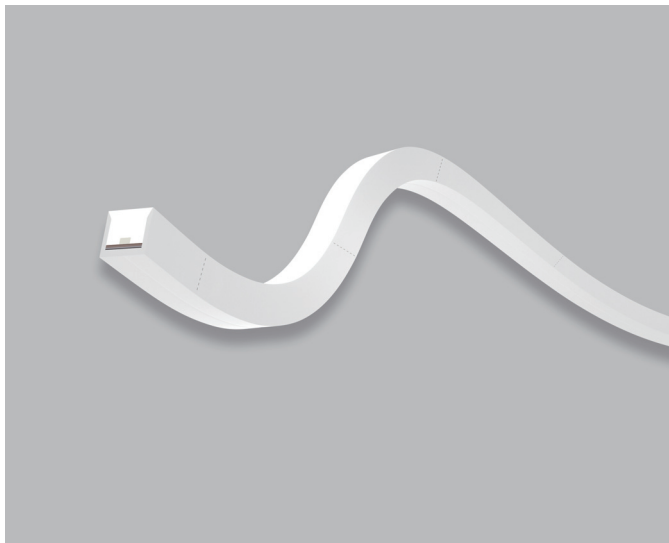


# SF16 Mono Color Silicone LED Linear Flex

SF16-24V-3528-144-2200K-6500K

## Specification



Dimension

Vertical Bending

Min. Bending Diameter

Beam Angle

Ansi C78.377

4 SDCM

One Bin

Dimmable

Submersible

Ambient Temp.

Class 3

LM-80

IK08

UV Resistant

Anti-Yellowing

Flame Resistant

Saltwater Resistant

Solvents Resistant

Dirt Resistant

CE

RoHS

UL Listed

5 years warranty  
Warranty

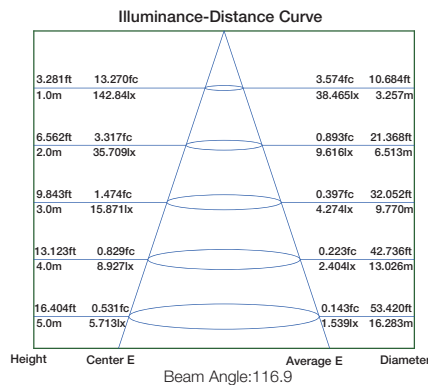
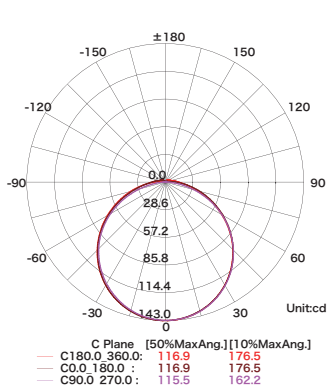
## Technical Parameters

Electrical	Optional Color	Lumen Output
Input Voltage	24V DC	
Power Consumption	10W/m	
Physical		
LED Count	144 LEDs/m	
Cutting Unit	12 LEDs	
Cutting Unit Length	83.3 mm	
Minimum Bend Diameter	120mm	
Output		
LED Light	Epistar SMD LED 3528	
CRI	>80, >90	
Max Run Length*		
Single Feed	10M	
Double Feed	20 M	
Beam Angle	120°	
Lumen Maintenance	70,000 Hours L70 @ 25°C 50,000 Hours L70 @ 50°C	
Temperature Ranges		
Installation	0°C to 50°C	
Operating	-40°C to 55°C	
Dependability		
Warranty	5 Years Warranty	
IP Rating	IP68 Wet location submersible <2m	

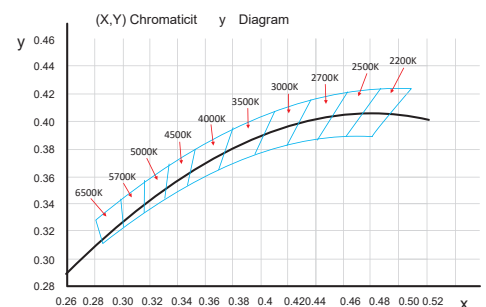
  

	Optional Color	Lumen Output
	2200K(2238±102K)	330lm/m
	2700K(2725±145K)	330lm/m
	3000K(3045±175K)	350lm/m
	3500K(3465±245K)	350lm/m
	4000K(3985±275K)	370lm/m
	4500K(4503±243K)	370lm/m
	5000K(5029±283K)	390lm/m
	6500K(6532±510K)	390m/m
	Green(520-530nm)	360lm/m
	Blue (520-530nm)	65lm/m
	Red (620-630nm)	100lm/m
	Pink(630-645nm)	160m/m
	Amber (585-595nm)	90lm/m
	Orange(630-645nm)	70lm/m

## Illuminance Distribution

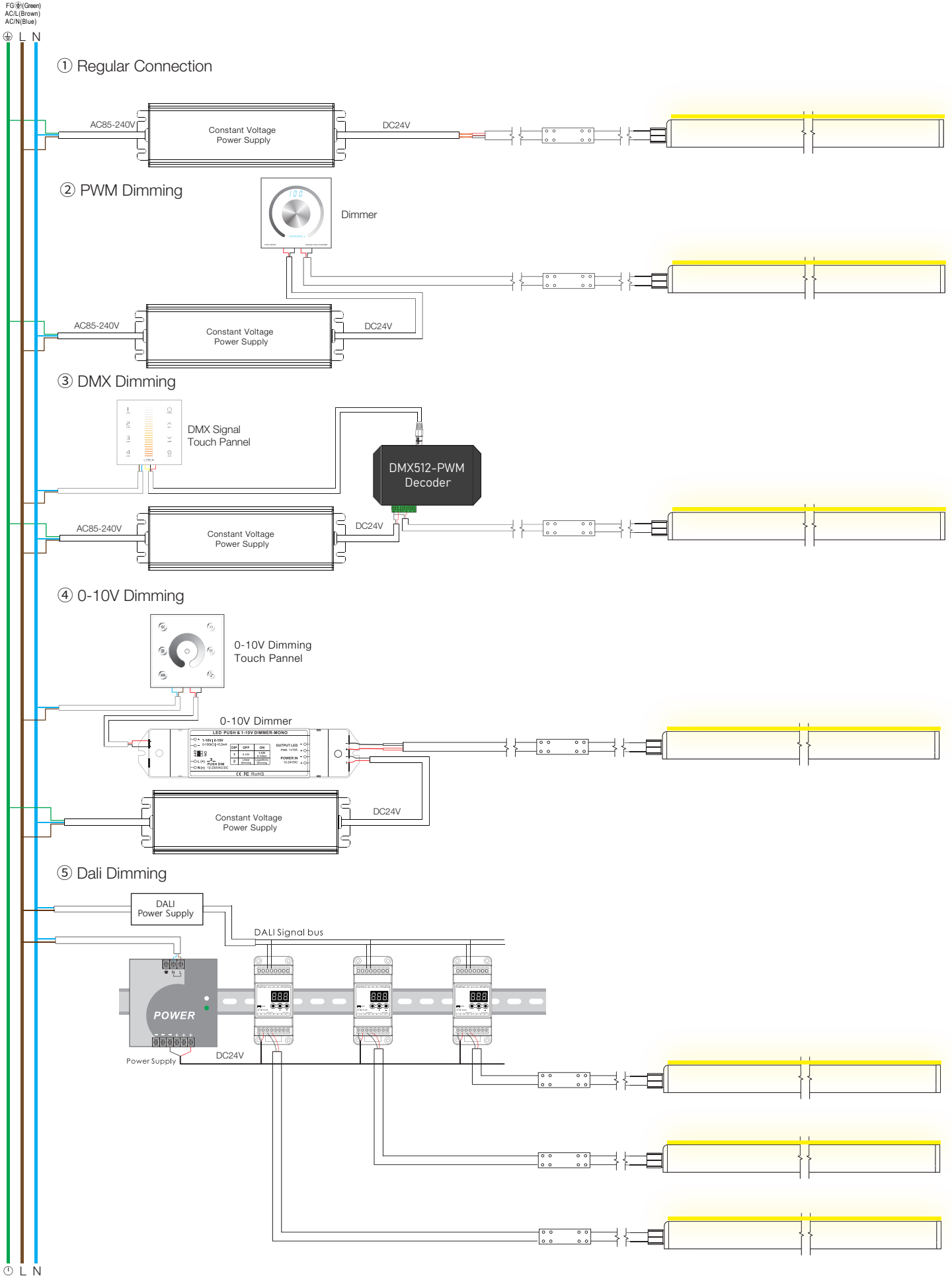


## White Color Charts



# SF16 Mono Color Silicone LED Linear Flex

## Connection



© L N