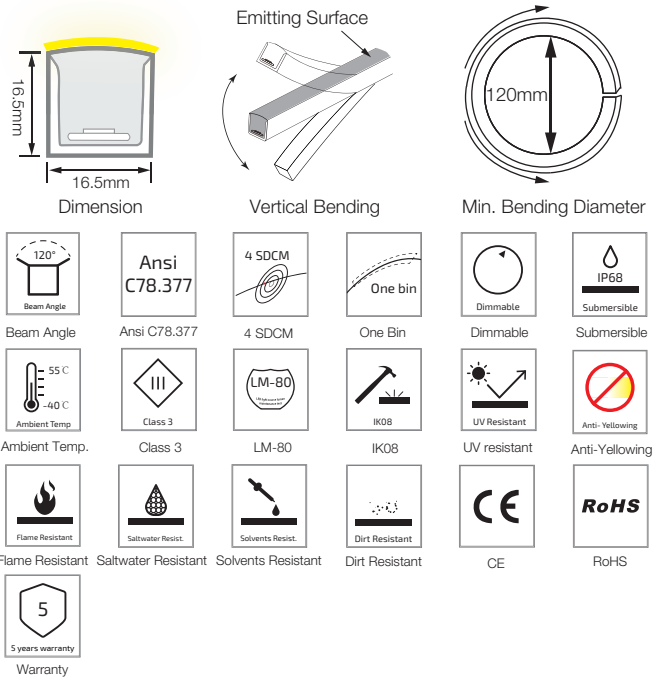
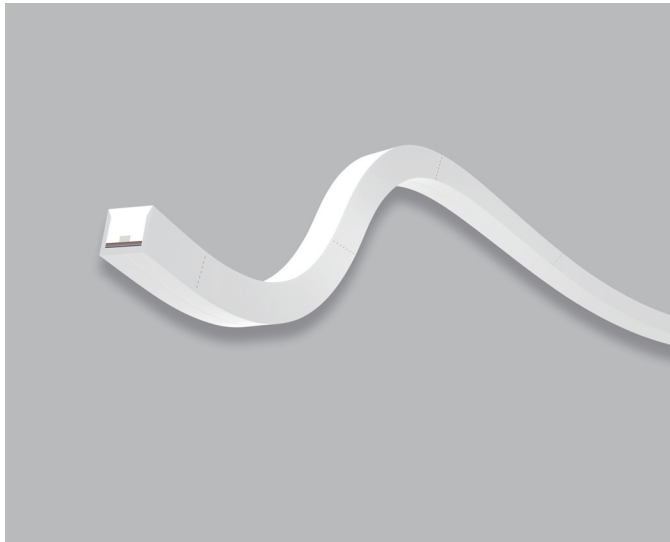


# SF16 Mono Color Silicone LED Linear Flex

SF16-24V-3528-120-2200K-6500K

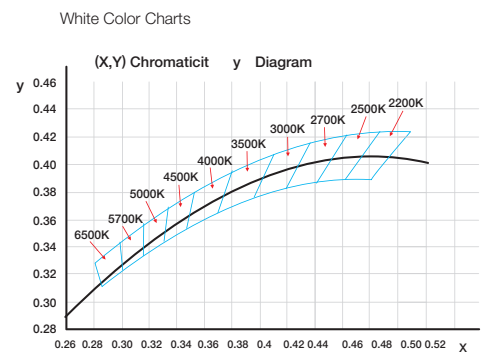
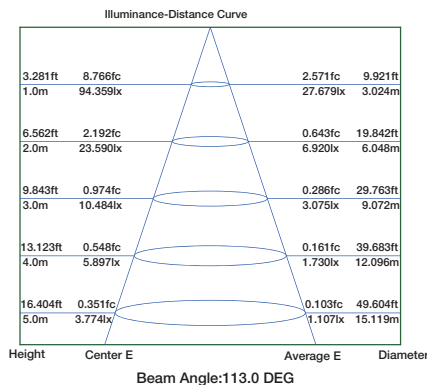
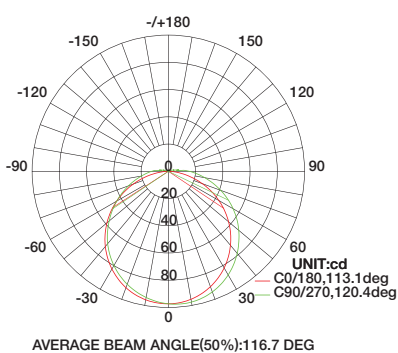
## Specification



## Technical Parameters

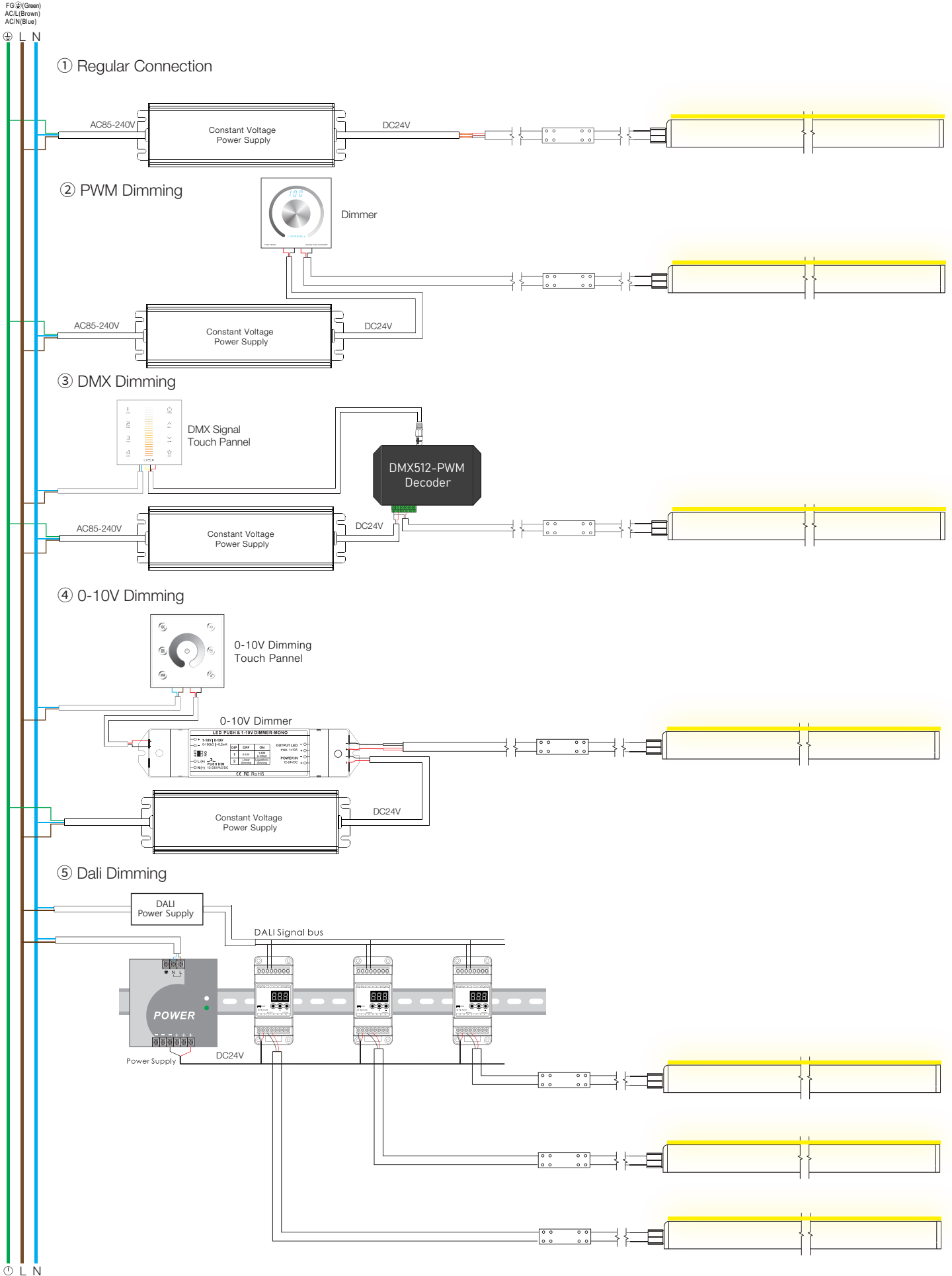
Electrical		Optional Color		Lumen Output
Input Voltage	24V DC		2200K(2238±102K)	310lm/m
Power Consumption	9W/m		2700K(2725±145K)	310lm/m
Physical			3000K(3045±175K)	320lm/m
LED Count	120 LEDs/m		3500K(3465±245K)	320lm/m
Cutting Unit	12 LEDs		4000K(3985±275K)	330lm/m
Cutting Unit Length	10 mm		4500K(4503±243K)	330lm/m
Minimum Bend Diameter	120mm		5000K(5029±283K)	350lm/m
Output			6500K(6532±510K)	350lm/m
LED Light	Epistar SMD LED 3528		Green(520-530nm)	300lm/m
CRI	>80, >90		Blue (520-530nm)	55lm/m
Max Run Length*			Red (620-630nm)	90lm/m
Single Feed	10 M		Pink(630-645nm)	150lm/m
Double Feed	20 M		Amber (585-595nm)	80lm/m
Beam Angle	120°		Orange(630-645nm)	65lm/m
Lumen Maintenance	70,000 Hours L70 @ 25°C 50,000 Hours L70 @ 50°C			
Temperature Ranges				
Installation	0°C to 50°C			
Operating	-40°C to 55°C			
Dependability				
Warranty	5 Years Warranty			
IP Rating	IP68 Wet location submersible <2m			

## Illuminance Distribution



# SF16 Mono Color Silicone LED Linear Flex

## Connection



© L N