

SF15 Multi Color RGBW Silicone LED Linear Flex

SF15-24V-5050-72-RGBW

Specification



Dimension

Horizontal Bending

Min. Bending Diameter

Beam Angle

RGBW

One Bin

Dimmable

Submersible

Ambient Temp.

Class 3

LM-80

IK08

UV Resistant

Anti-Yellowing

Flame Resistant

Saltwater Resistant

Solvents Resistant

Dirt Resistant

CE

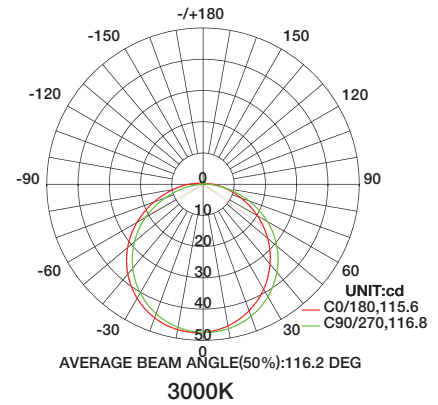
RoHS

Warranty

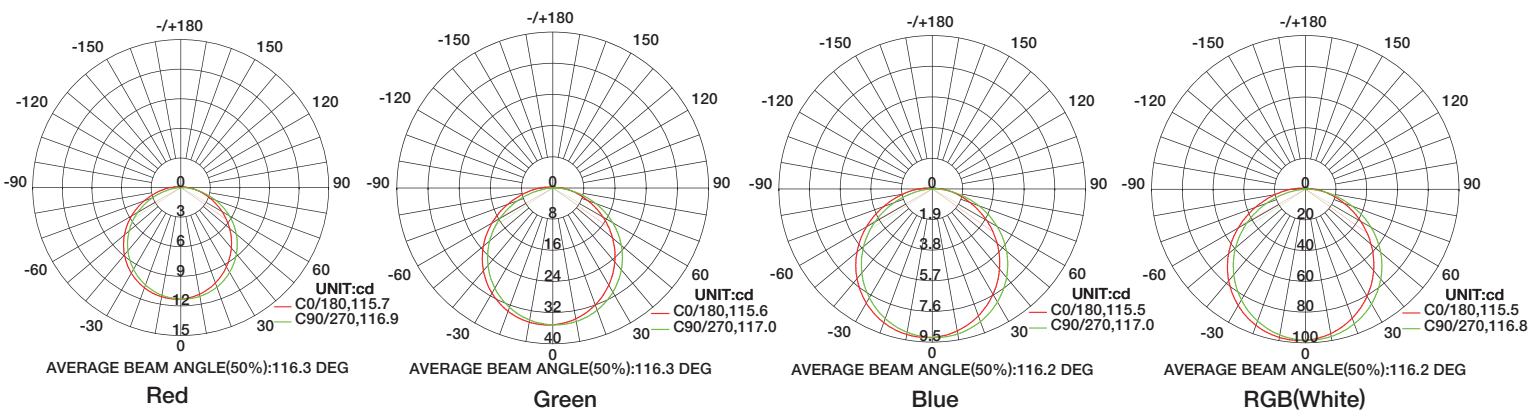
Technical Parameters

Electrical	
Input Voltage	24V DC
Power Consumption	17W/m
Physical	
LED Count	72 LEDs/m
Cutting Unit	6 LEDs
Cutting Unit Length	83.3mm
Minimum Bend Diameter	80mm
Output	
LED Light	Epistar SMD LED 5050
Color	RGBW(2700K/3000K/4000K/5000K)
Max Run Length*	
Single Feed	8M
Double Feed	16 M
Beam Angle	120°
Lumen Maintenance	70,000 Hours L70 @ 25°C 50,000 Hours L70 @ 50°C
Temperature Ranges	
Installation	0°C to 50°C
Operating	-40°C to 55°C
Dependability	
Warranty	5 Years Warranty
IP Rating	IP68 Wet location submersible <2m

Emitting Color	Lumen Output
	Red 36lm/m
	Green 120lm/m
	Blue 35lm/m
	RGB(White) 310lm/m
	3000K 140lm/m



Illuminance Distribution



SF15 Multi Color RGBW Silicone LED Linear Flex

Connection

