

SF15 SPI Pixel Chasing RGB Silicone LED Linear Flex

SF15-24V-5050-70-SPI3-RGB

Specification



Dimension

Emitting Surface

Min. Bending Diameter

Beam Angle

Pixel RGB

SPI

Dimmable

Submersible

Ambient Temp.

Class 3

LM-80

IK08

UV resistant

Anti-Yellowing

Flame Resistant

Saltwater Resistant

Solvents Resistant

Dirt Resistant

CE

RoHS

Warranty

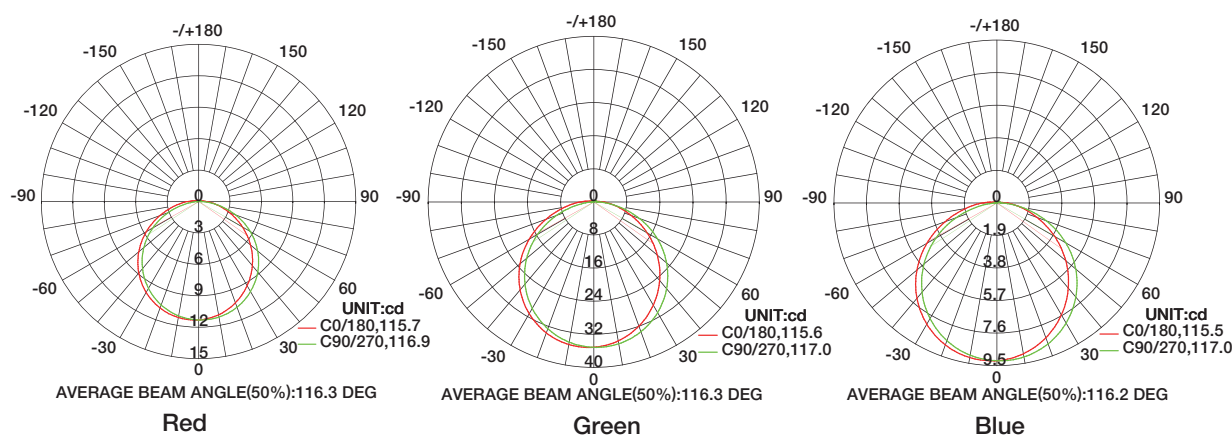
Technical Parameters

Electrical	
Input Voltage	24V DC
Power Consumption	15W/m
Physical	
LED Count	70 LEDs/m
Cutting Unit	7 LEDs
Cutting Unit Length	100mm
Minimum Bend Diameter	80mm
Output	
LED Light	Epistar SMD LED 5050
Color	RGB
Working Mode	SPI
Pixels Quantity	10 Pixels/m
IC Chips	UCS8903
Max Run Length*	
Single Feed	8M
Double Feed	16 M
Beam Angle	120°
Lumen Maintenance	70,000 Hours L70 @ 25°C 50,000 Hours L70 @ 50°C

Emitting Color	Lumen Output
	Red 35lm/m
	Green 120lm/m
	Blue 25m/m
	RGB(White) 120lm/m

Temperature Ranges	
Installation	0°C to 50°C
Operating	-25°C to 50°C
Dependability	
Warranty	3 Years Warranty
IP Rating	IP68 Wet location submersible <2m

Illuminance Distribution



SF15 SPI Pixel Chasing RGB LED Linear Flex

