

SF15 DMX Pixel Chasing RGBW Silicone LED Linear Flex

SF15-24V-5050-56-DMX4-RGBW

Specification



Dimension

Emitting Surface

Horizontal Bending
Min. Bending Diameter

Beam Angle

Pixel RGBW

DMX512

Dimmable

Submersible

Ambient Temp.

Class 3

LM-80

IK08

UV Resistant

Flame Resistant

Saltwater Resistant

Solvents Resistant

Dirt Resistant

CE

RoHS

Warranty

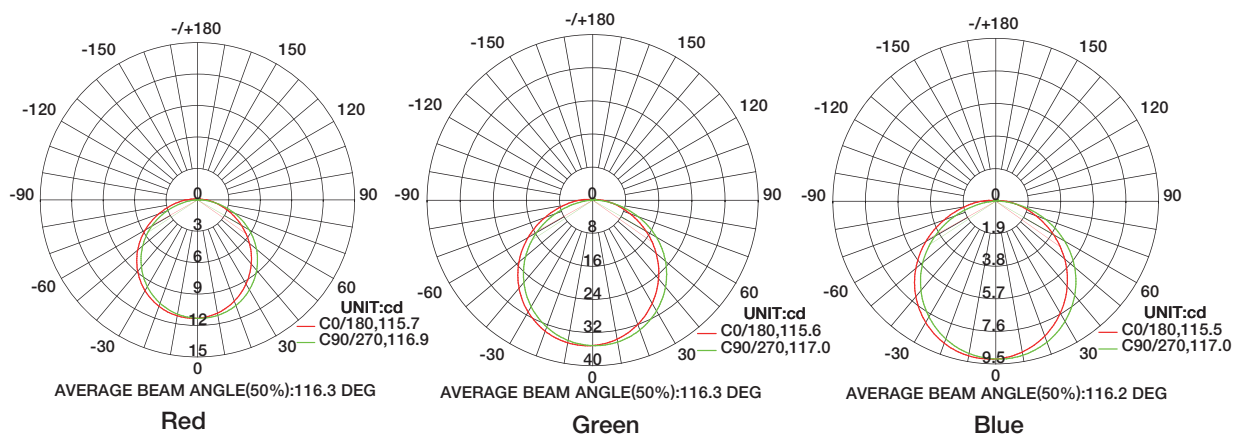
Technical Parameters

Electrical	
Input Voltage	24V DC
Power Consumption	15W/m
Physical	
LED Count	56 LEDs/m
Cutting Unit	7 LEDs
Cutting Unit Length	125mm
Minimum Bend Diameter	80mm
Output	
LED Light	Epistar SMD LED 5050
Color	RGBW (2700K/3000K/4000K/5000K)
Working Mode	DMX (RS485)
Pixels Quantity	8 Pixels/m
IC Chips	UCS512
Max Run Length*	
Single Feed	8M
Double Feed	16 M
Beam Angle	120°
Lumen Maintenance	70,000 Hours L70 @ 25°C 50,000 Hours L70 @ 50°C

Emitting Color	Lumen Output
	Red 35lm/m
	Green 120lm/m
	Blue 28lm/m
	3000K 105m/m

Temperature Ranges	
Installation	0°C to 50°C
Operating	-40°C to 55°C
Dependability	
Warranty	5 Years Warranty
IP Rating	IP68 Wet location submersible <2m

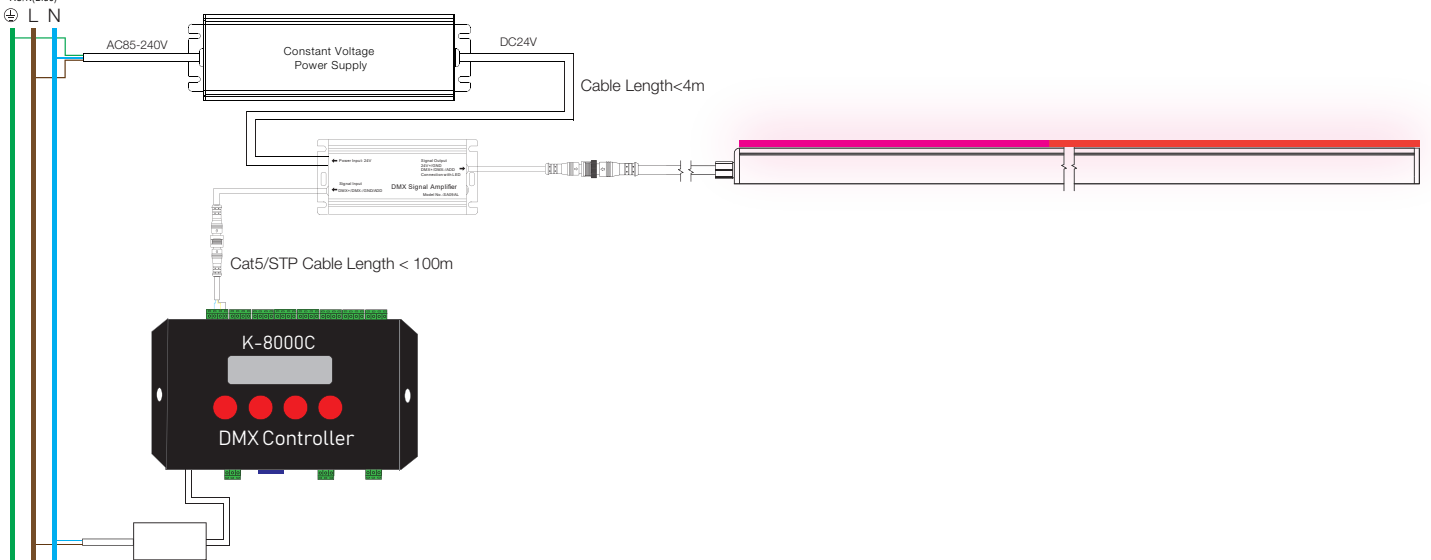
Illuminance Distribution



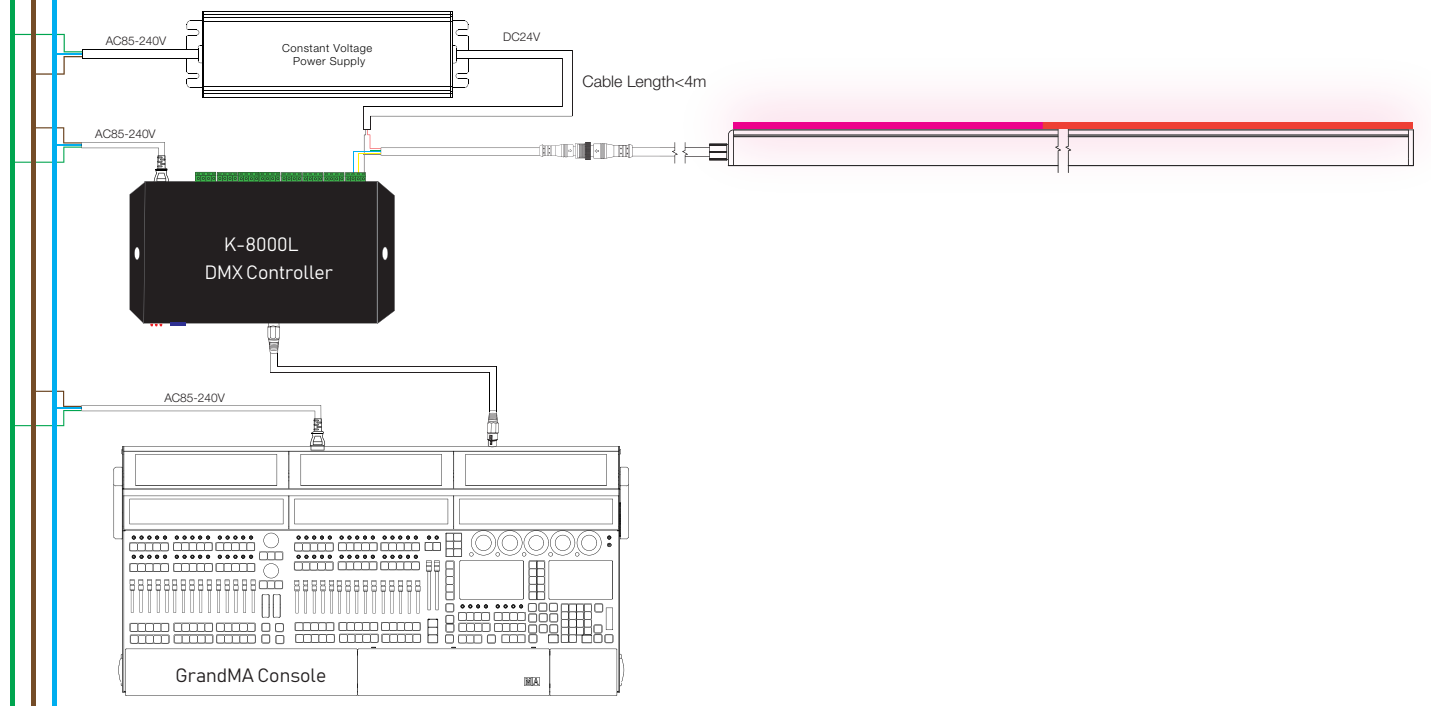
SF15 DMX Pixel Chasing RGBW Silicone LED Linear Flex

FG (Green)
AC/L (Brown)
AC/N (Blue)

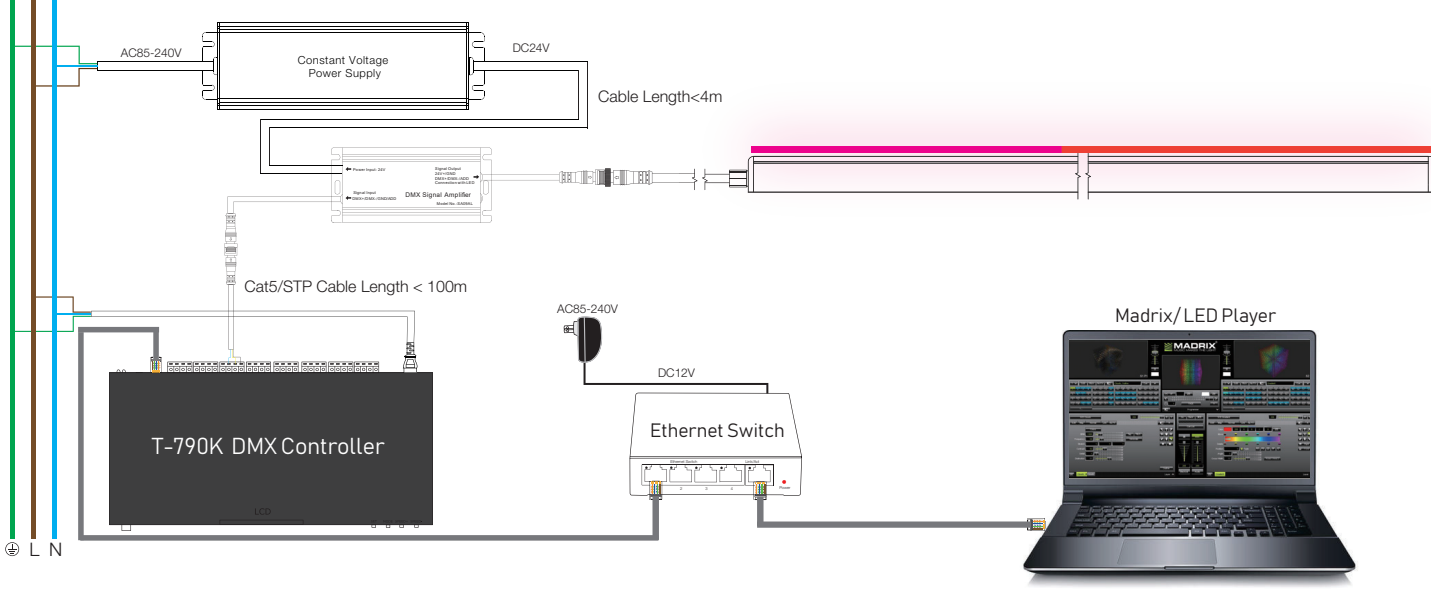
① Standard DMX Control



② GrandMA Console Control



③ Madrix Control



⊕ L N