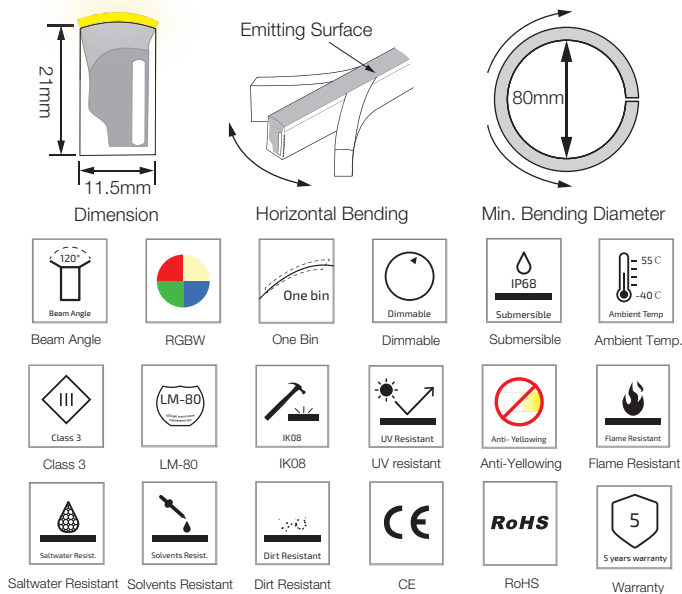


SF15 Multi Color RGBW Silicone LED Linear Flex

SF15-12V-5050-60-RGBW

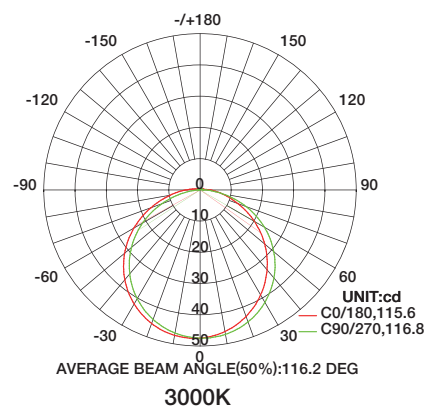
Specification



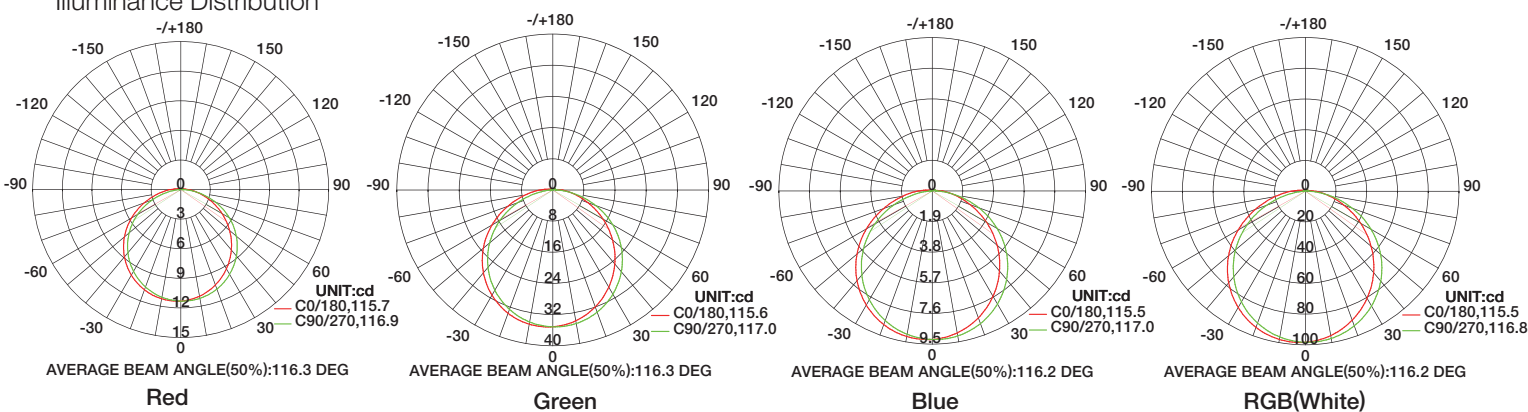
Technical Parameters

Electrical	
Input Voltage	12V DC
Power Consumption	17W/m
Physical	
LED Count	60 LEDs/m
Cutting Unit	3 LEDs
Cutting Unit Length	50mm
Minimum Bend Diameter	80mm
Output	
LED Light	Epistar SMD LED 5050
Color	RGBW(2200K/3000K/4000K)
Max Run Length*	
Single Feed	5M
Beam Angle	120°
Lumen Maintenance	70,000 Hours L70 @ 25°C 50,000 Hours L70 @ 50°C
Temperature Ranges	
Installation	0°C to 50°C
Operating	-40°C to 55°C
Dependability	
Warranty	5 Years Warranty
IP Rating	IP68 Wet location submersible <2m

Color	Emitting Color	Lumen Output
	Red	30lm/m
	Green	100lm/m
	Blue	29lm/m
	RGB(White)	290lm/m
	3000K	130lm/m



Illuminance Distribution



SF15 Multi Color RGBW Silicone LED Linear Flex

Connection

