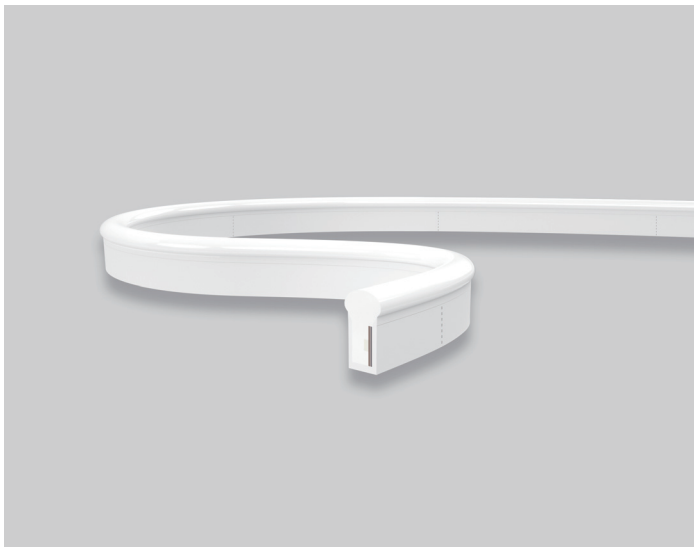


S21 Mono Color LED linear Flex

S21-48V-5050-60-2200K-6500K

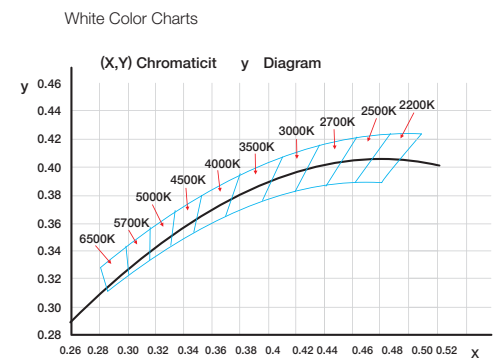
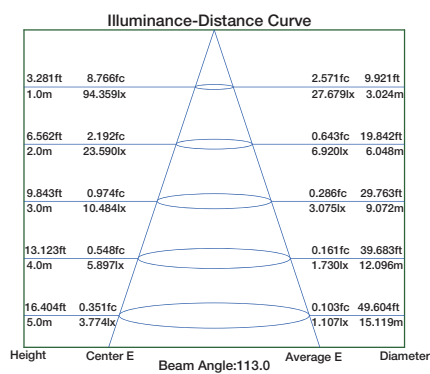
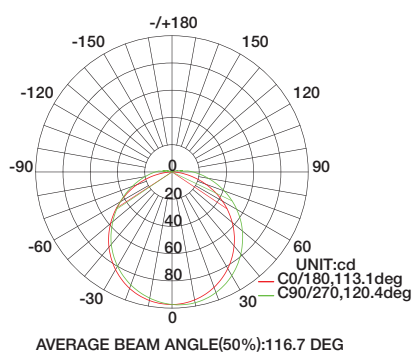
Specification



Technical Parameters

Electrical		Optional Color		Lumen Output	
Input Voltage	48V DC		2200K(2238±102K)		340lm/m
Power Consumption	12W/m		2700K(2725±145K)		340lm/m
Physical			3000K(3045±175K)		360lm/m
LED Count	60 LEDs/m		3500K(3465±245K)		360lm/m
Cutting Unit	15 LEDs		4000K(3985±275K)		360lm/m
Cutting Unit Length	250mm		4500K(4503±243K)		340lm/m
Minimum Bend Diameter	80mm		5000K(5029±283K)		340lm/m
Output			6500K(6532±510K)		340lm/m
LED Light	Epistar SMD LED 5050		Green(520-530nm)		260lm/m
CRI	>80, >90		Blue (520-530nm)		46lm/m
Max Run Length*			Lemon Yellow(520-530nm)		400lm/m
Single Feed	20M		Pink(630-645nm)		210lm/m
Double Feed	40M				
Beam Angle	270°				
Lumen Maintenance	70,000 Hours L70 @ 25°C 50,000 Hours L70 @ 50°C				
Temperature Ranges					
Installation	0°C to 50°C				
Operating	-25°C to 50°C				
Dependability					
Warranty	3 Years Warranty				
IP Rating	IP68 Wet location submersible <2m				

Illuminance Distribution



S21 Mono Color LED Linear Flex

Connection

