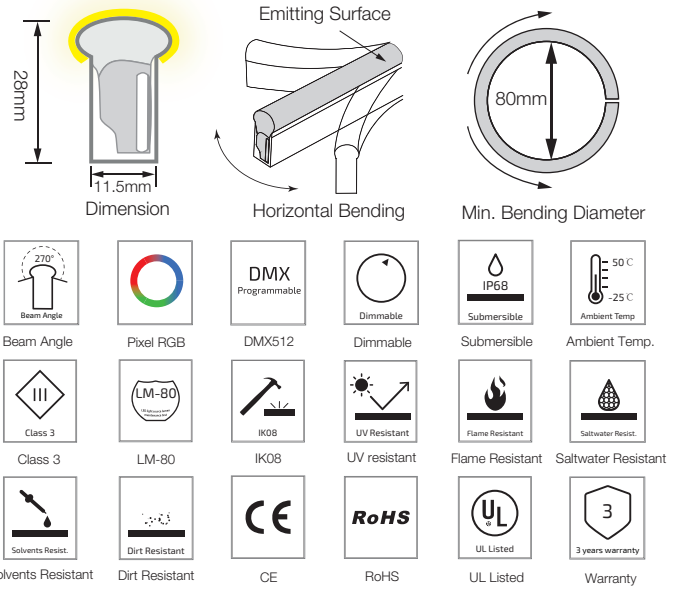


S21 DMX Pixel Chasing RGB LED Linear Flex

S21-24V-5050-56-DMX3-RGB

Specification



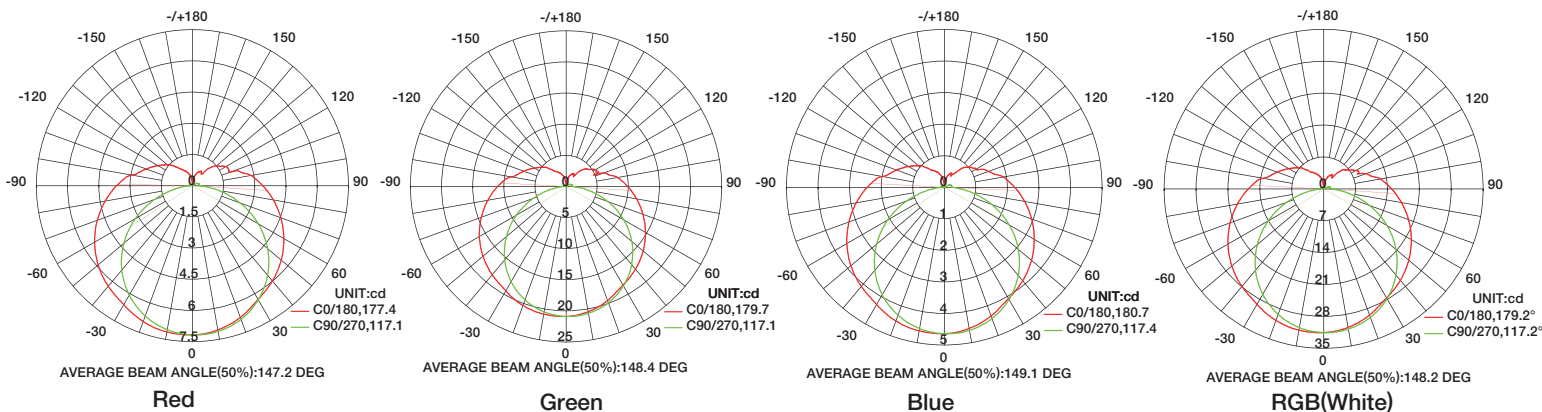
Technical Parameters

Electrical	
Input Voltage	24V DC
Power Consumption	12 W/m
Physical	
LED Count	56 LEDs/m
Cutting Unit	7 LEDs
Cutting Unit Length	125mm
Minimum Bend Diameter	80mm
Output	
LED Light	Epistar SMD LED 5050
Color	RGB
Working Mode	DMX (RS485)
Pixels Quantity	8 Pixels/m
IC Chips	UCS512
Max Run Length*	
Single Feed	7M
Double Feed	14 M
Beam Angle	270°
Lumen Maintenance	70,000 Hours L70 @ 25°C 50,000 Hours L70 @ 50°C

Emitting Color	Lumen Output
Red	35lm/m
Green	105lm/m
Blue	20lm/m
RGB(White)	125lm/m

Temperature Ranges	
Installation	0°C to 50°C
Operating	-25°C to 50°C
Dependability	
Warranty	3 Years Warranty
IP Rating	IP68 Wet location submersible <2m

Illuminance Distribution

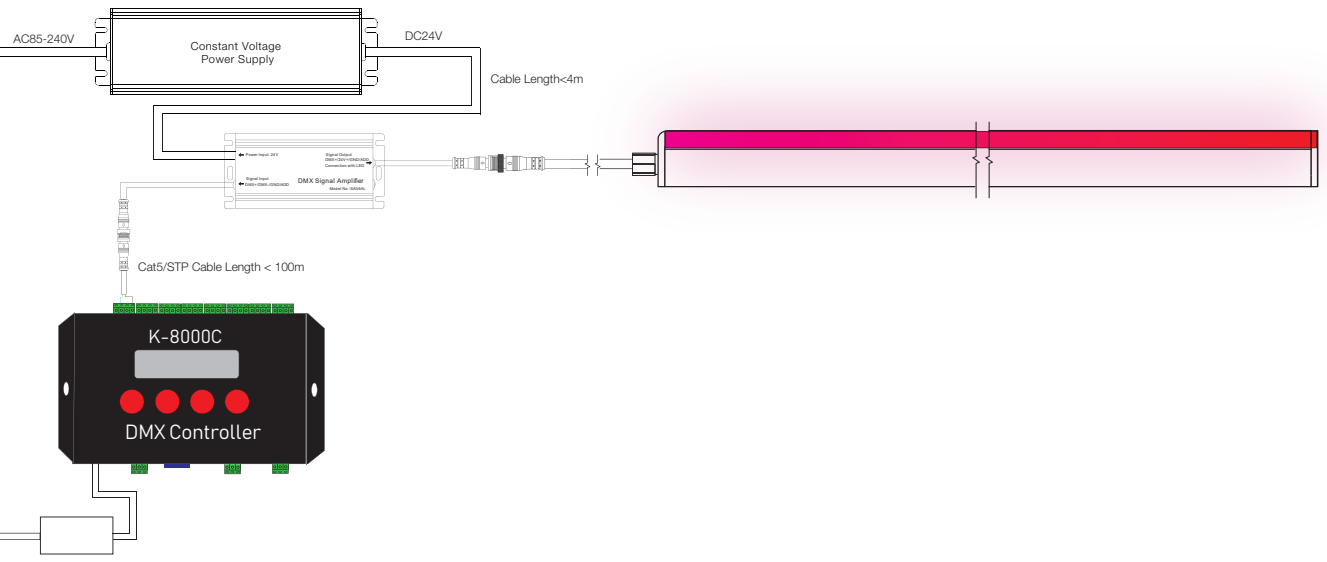


S21 DMX Pixel Chasing RGB LED Linear Flex

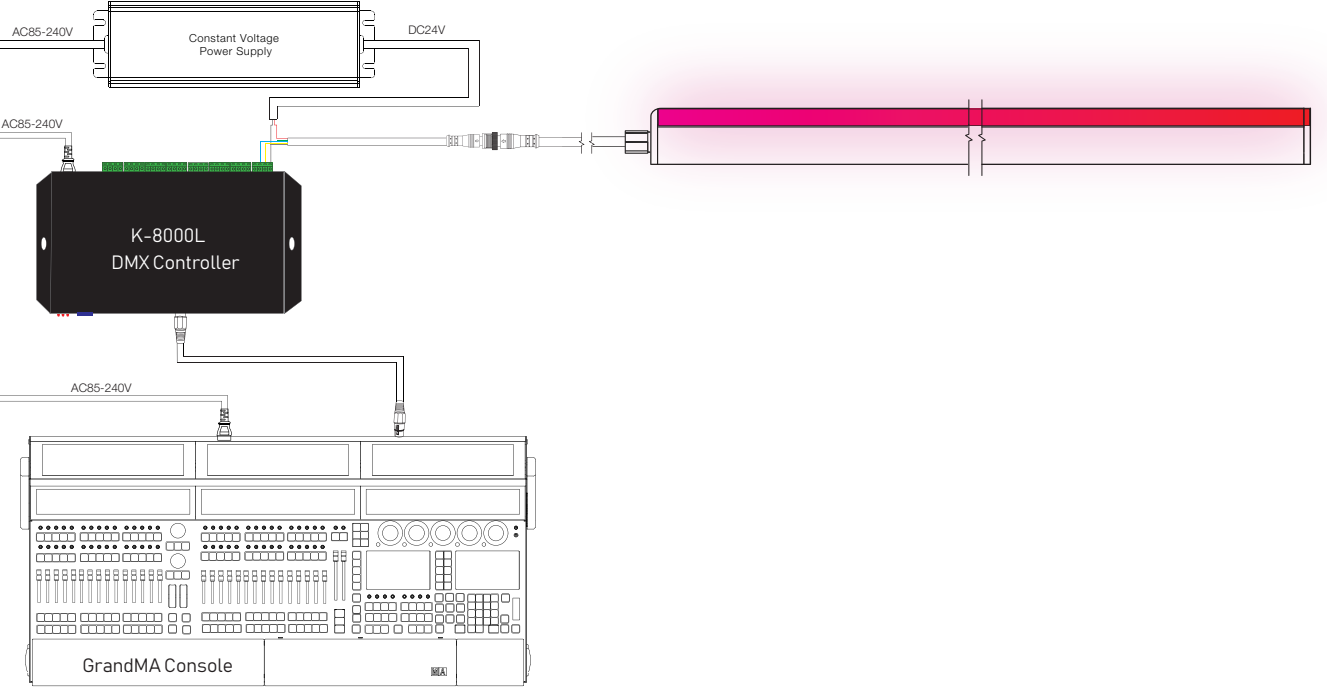
FG (Green)
AC/L (Brown)
AC/N (Blue)

L N

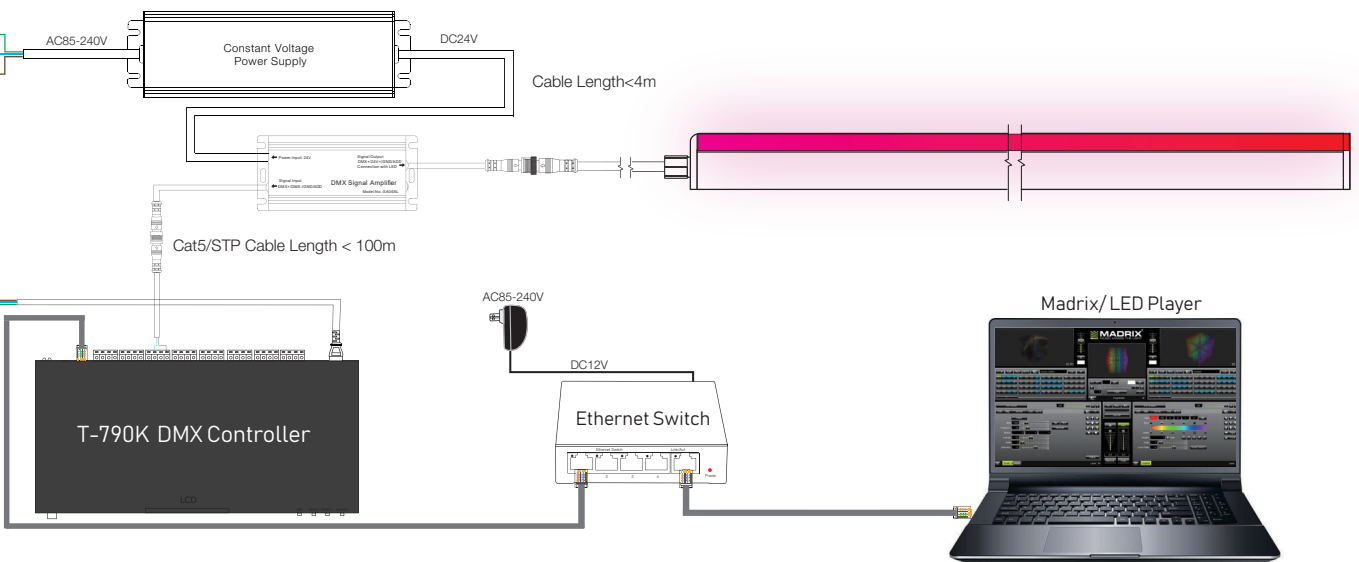
① Standard DMX Control



② GrandMA Console Control



③ Madrix Control



L N