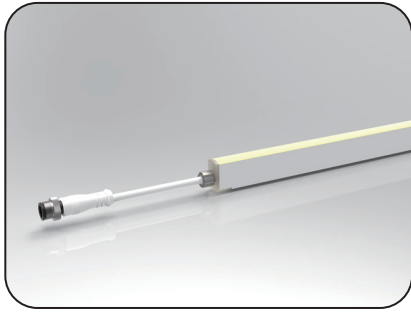
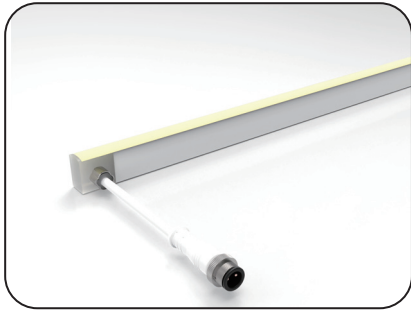
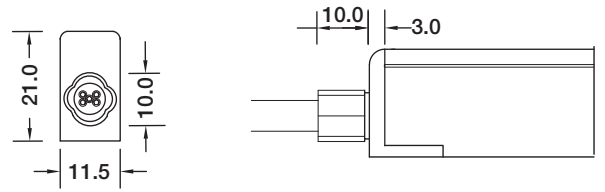


# S15 Configuration and Accessories

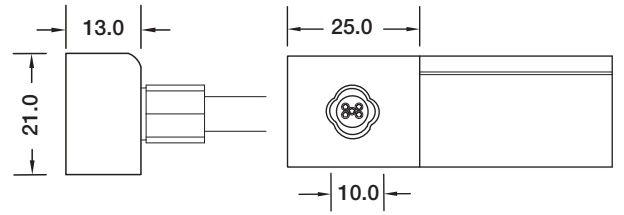
Mold Injection Connector (IP68 Factory Assembly Only)



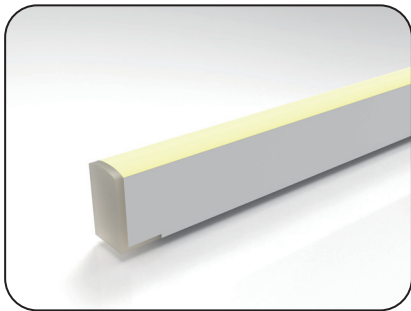
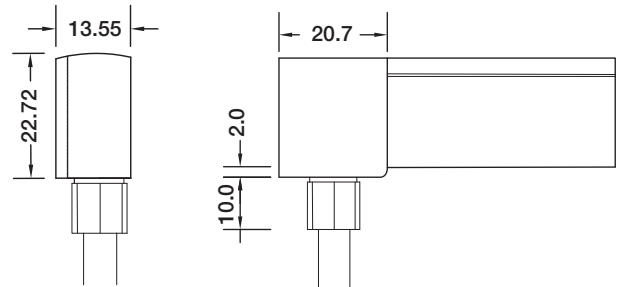
Direct Entry Connector  
MJ-15-D5-D02SM  
MJ-15-D5-D03SFM



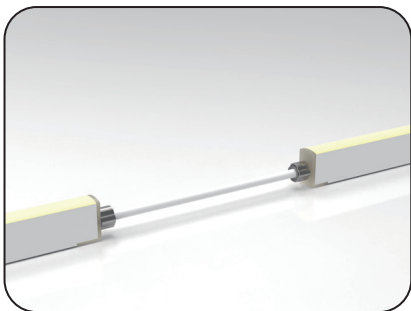
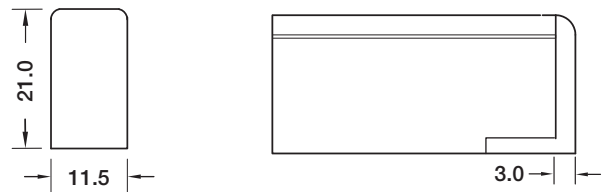
Side Entry Connector  
MJ-15-D5-S02SM  
MJ-15-D5-S03SFM



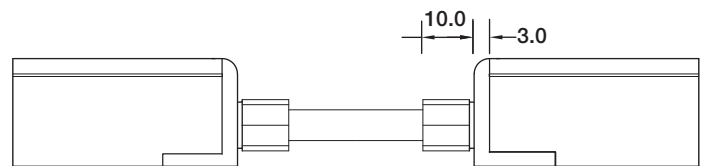
Bottom Entry Connector  
MJ-15-D5-S02SM  
MJ-15-D5-S03SFM



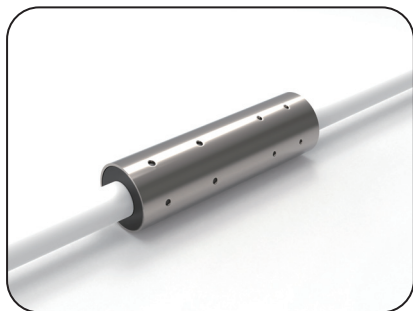
End Cap



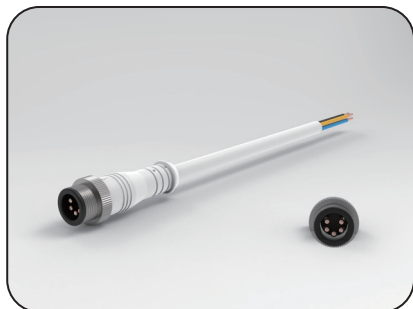
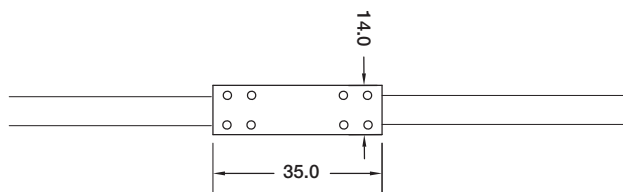
Jumper  
MJ-15-D5-D-JC



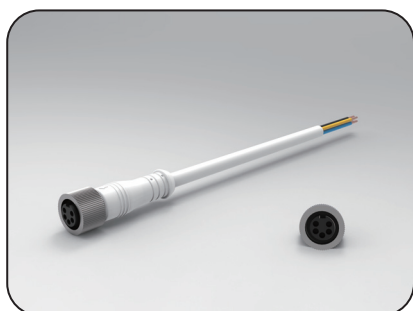
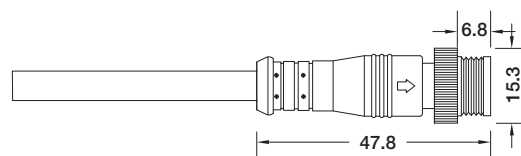
# S15 Configuration and Accessories



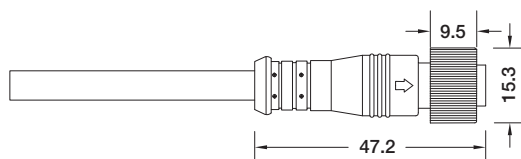
Waterproof Interrupter



Male Connector  
SYZ-M12-M-5C-05-W

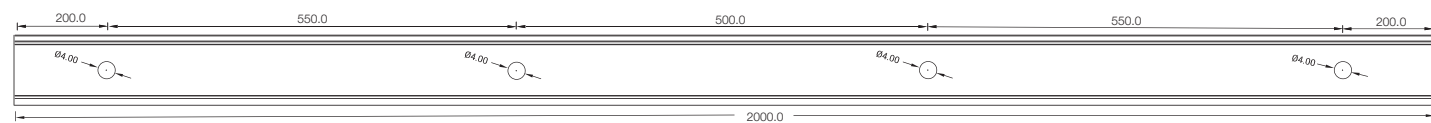
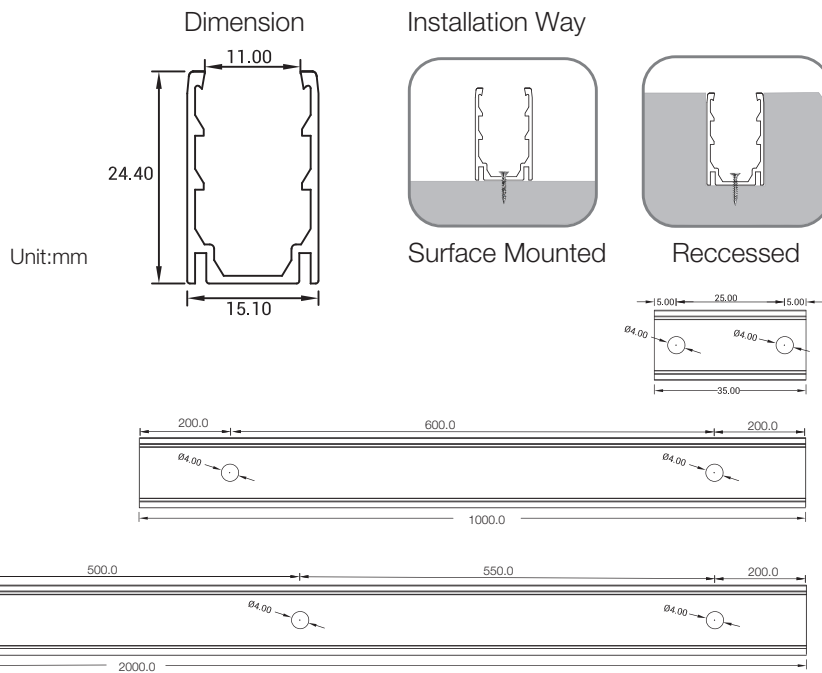
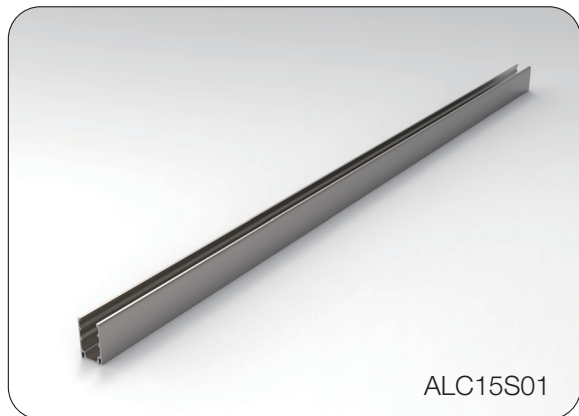


Female Connector  
SYZ-M12-F-5C-05-W

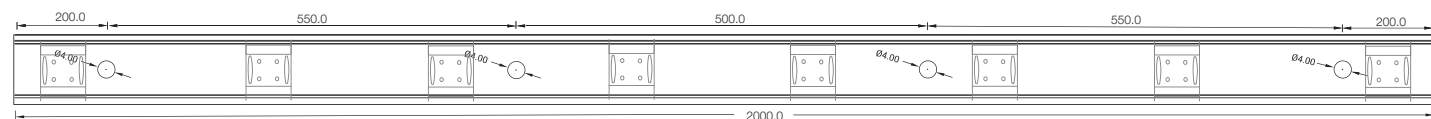
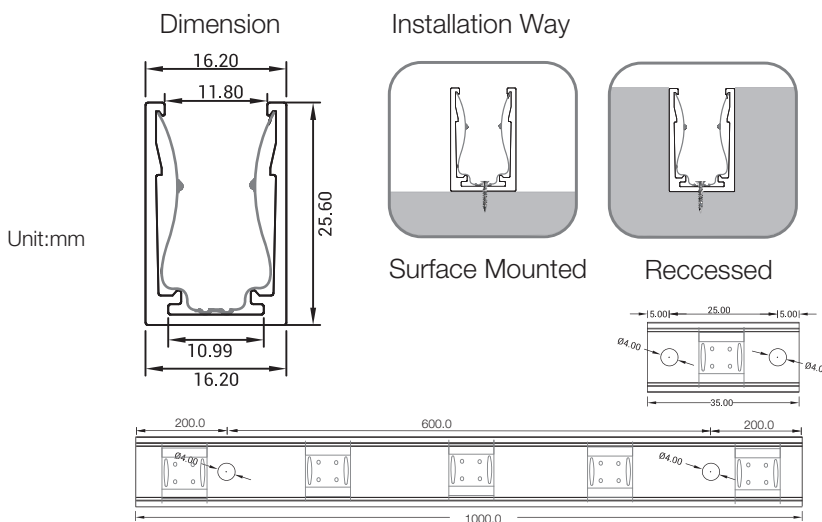
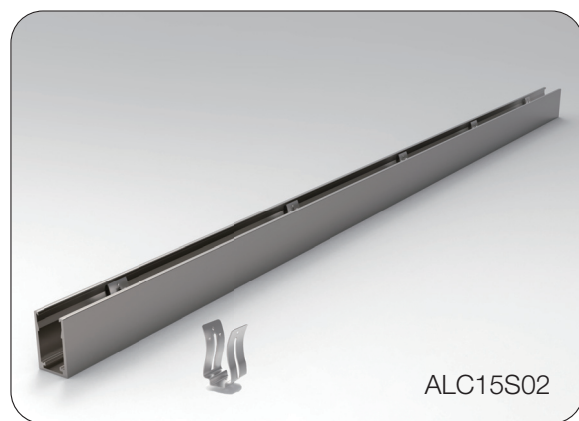


# LED linear Flex Mounting Channel

## 1. Aluminum Channel

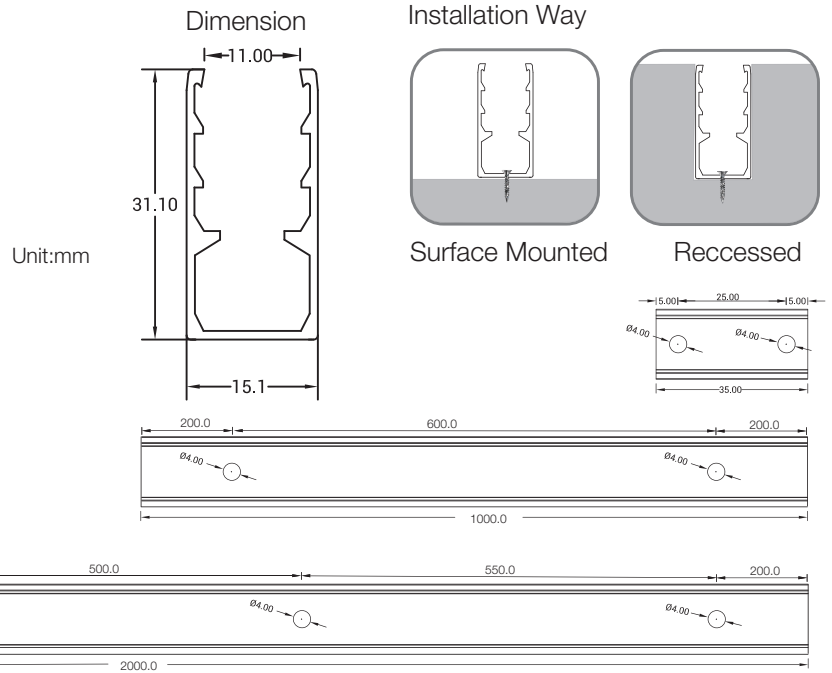
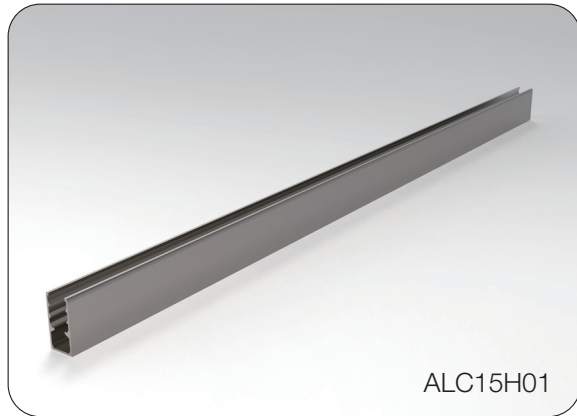


Model	W x H(mm)	Standard Length	Screw Holes	Holes Numbers	Suitable Product
ALC15S01	15.1*24.4	35mm	Φ4.0mm	2	S15, SF15
		1000mm	Φ4.0mm	2	S15, SF15
		2000mm	Φ4.0mm	4	S15, SF15

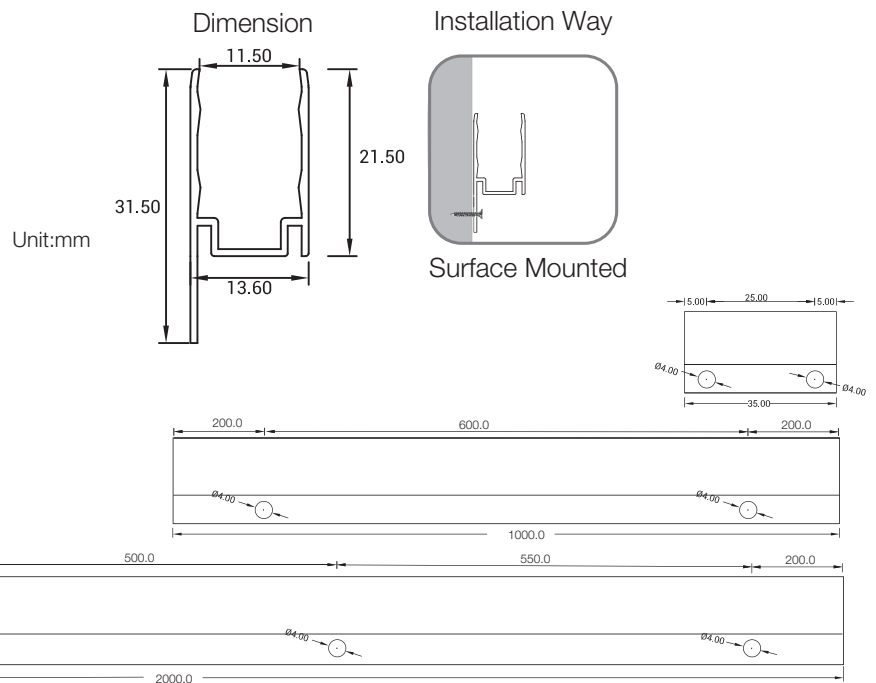
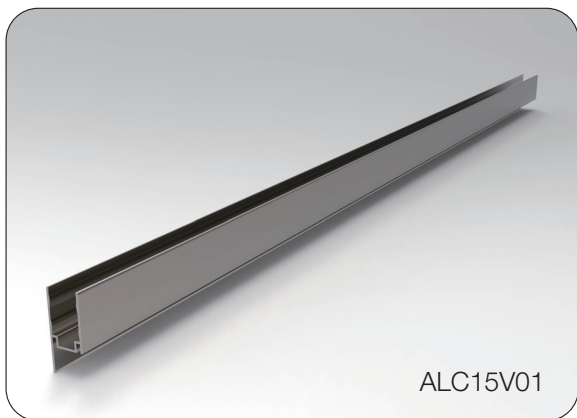


Model	W x H(mm)	Standard Length	Screw Holes	Holes Numbers	Clips	Suitable Product
ALC15S02	21.2*19.6	35mm	Φ4.0mm	2	1	S15, S21, SF15, SF21
		1000mm	Φ4.0mm	2	5	S15, S21, SF15, SF21
		2000mm	Φ4.0mm	4	8	S15, S21, SF15, SF21

# LED linear Flex Mounting Channel

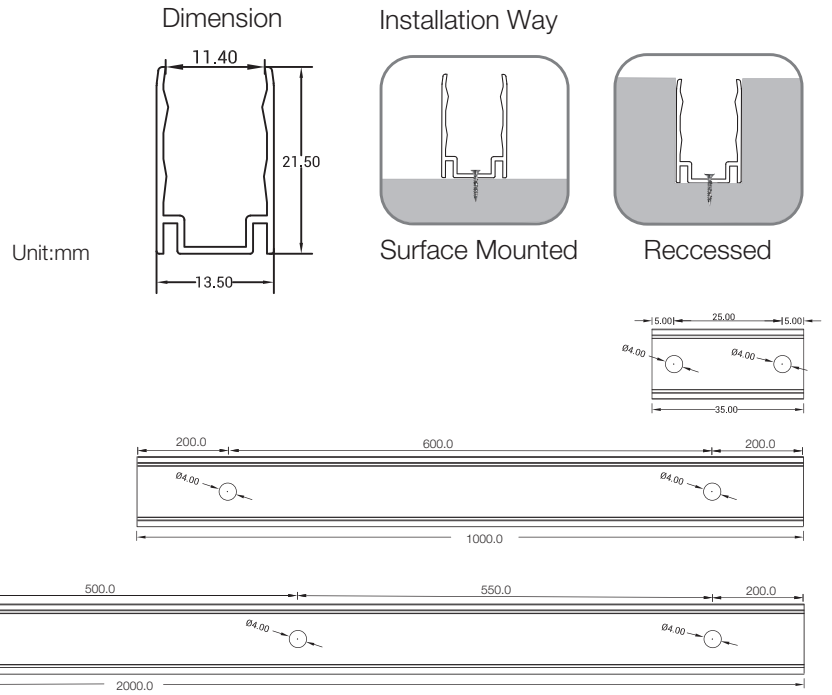
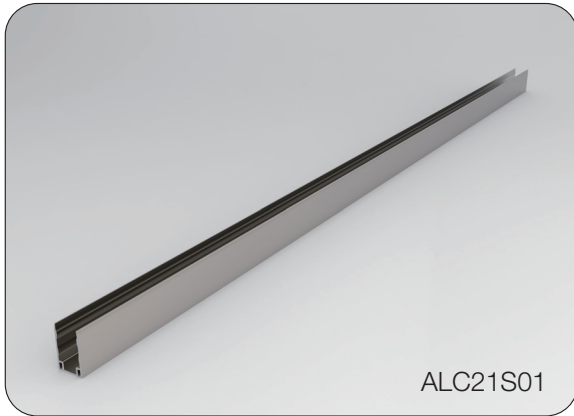


Model	W x H(mm)	Standard Length	Screw Holes	Holes Numbers	Suitable Product
ALC15H01	15.1*31.1	35mm	Φ4.0mm	2	S15, S21, SF15, SF21
		1000mm	Φ4.0mm	2	S15, S21, SF15, SF21
		2000mm	Φ4.0mm	4	S15, S21, SF15, SF21

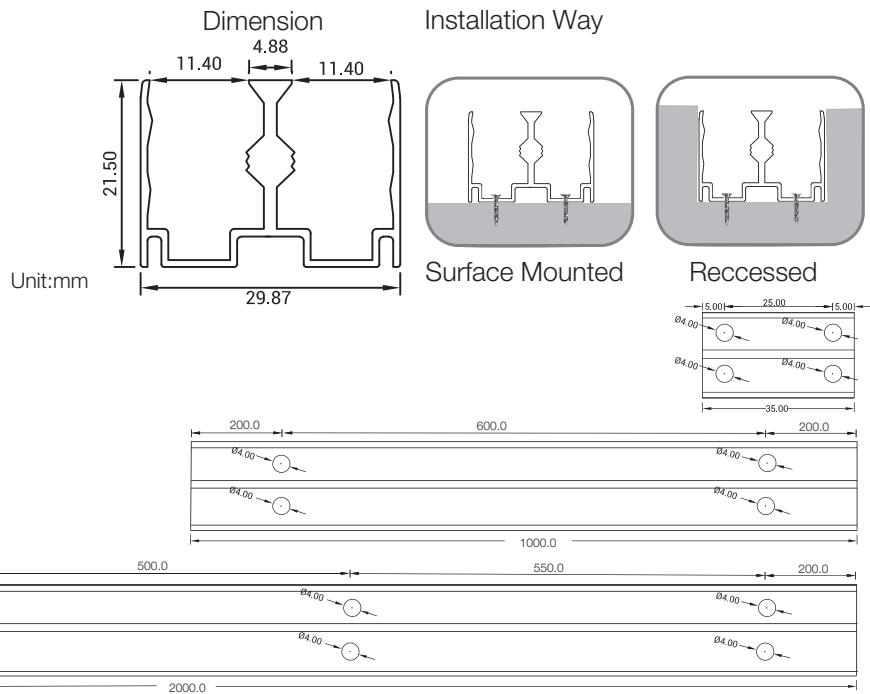
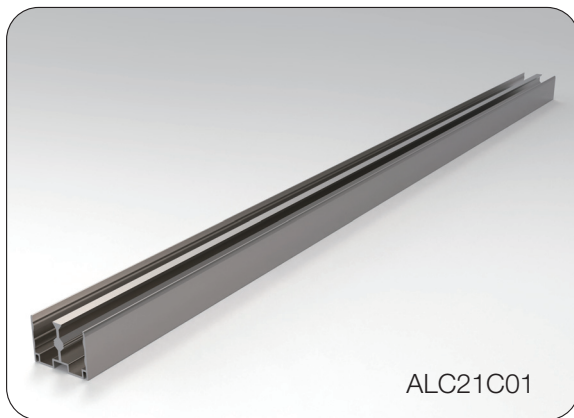


Model	W x H(mm)	Standard Length	Screw Holes	Holes Numbers	Suitable Product
ALC15V01	13.6*31.5	35mm	Φ4.0mm	2	S15, S21, SF15, SF21
		1000mm	Φ4.0mm	2	S15, S21, SF15, SF21
		2000mm	Φ4.0mm	4	S15, S21, SF15, SF21

# LED linear Flex Mounting Channel



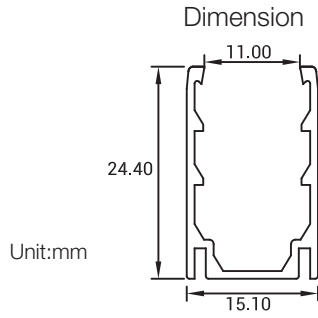
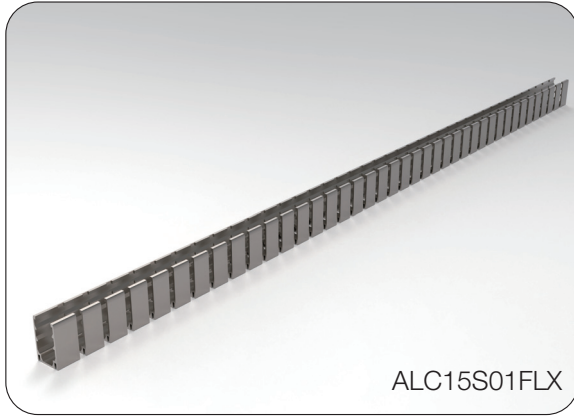
Model	W x H(mm)	Standard Length	Screw Holes	Holes Numbers	Suitable Product
ALC21S01	13.5*21.5	35mm	Ø4.0mm	2	S21, SF21
		1000mm	Ø4.0mm	2	S21, SF21
		2000mm	Ø4.0mm	4	S21, SF21



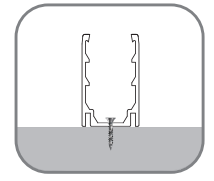
Model	W x H(mm)	Standard Length	Screw Holes	Holes Numbers	Suitable Product
ALC21S01	29.87*21.5	35mm	Ø4.0mm	4	S21, SF21
		1000mm	Ø4.0mm	4	S21, SF21
		2000mm	Ø4.0mm	8	S21, SF21

# LED linear Flex Mounting Channel

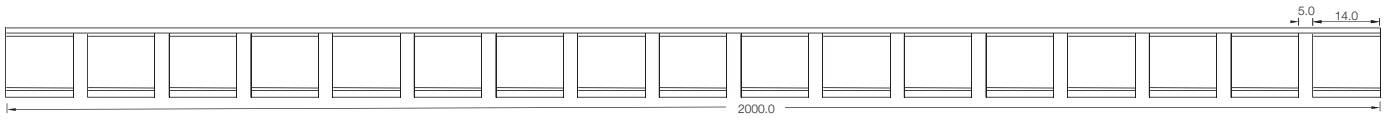
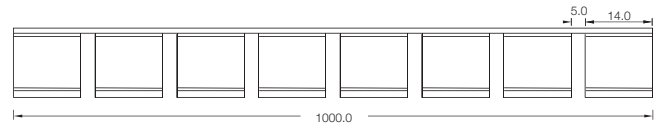
## 2. Flexible Aluminum Channel



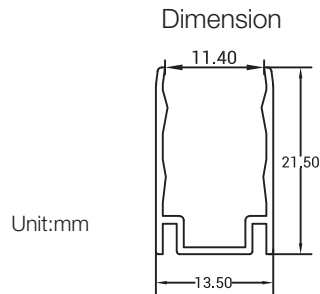
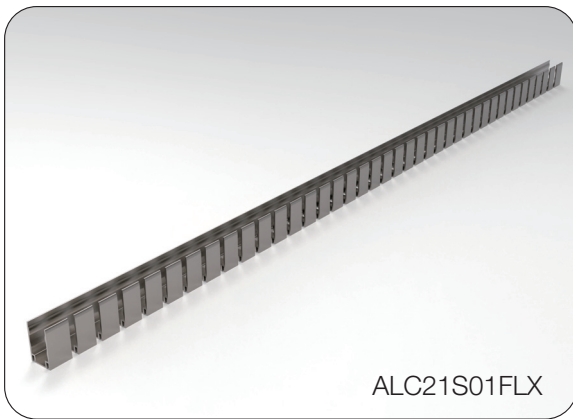
Installation Way



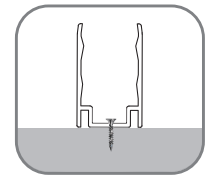
Surface Mounted



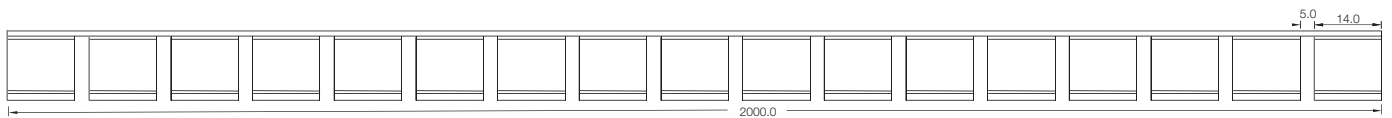
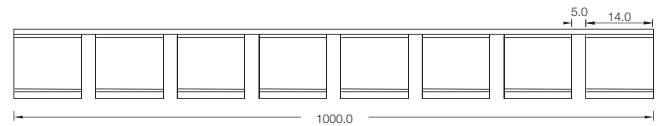
Model	W x H(mm)	Standard Length	Screw Holes	Holes Numbers	Suitable Product
ALC15S01FLX	15.1*24.4	1000mm	Φ4.0mm	2	S15, SF15
		2000mm	Φ4.0mm	4	S15, SF15



Installation Way



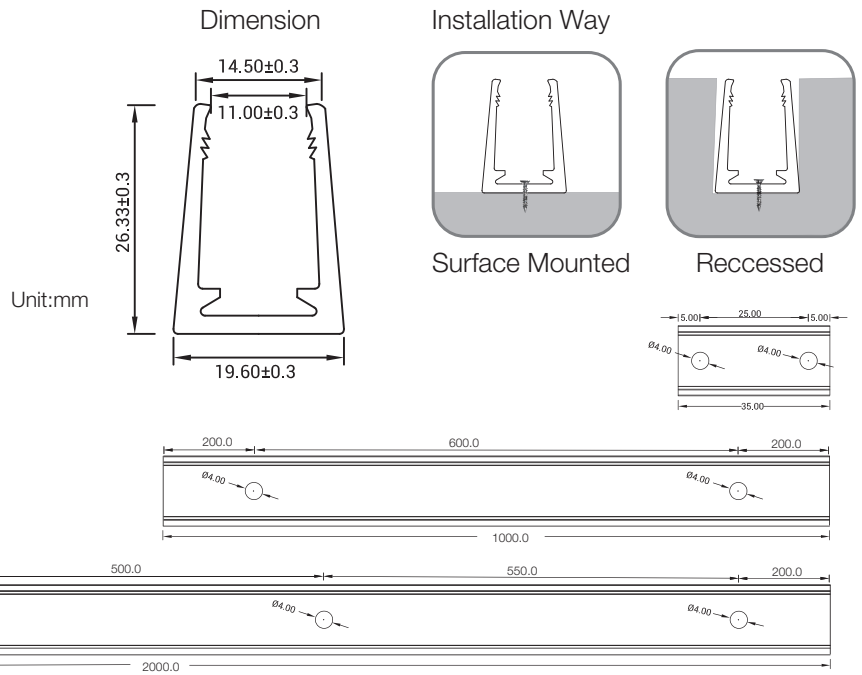
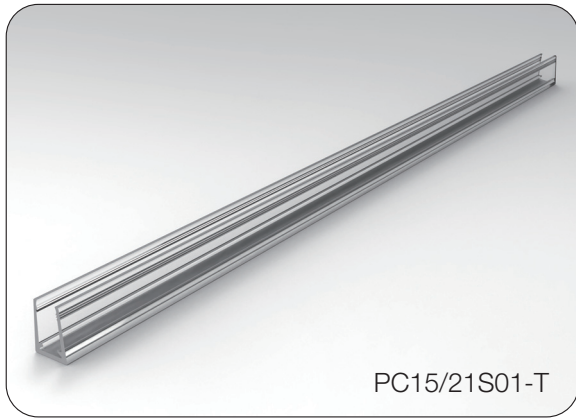
Surface Mounted



Model	W x H(mm)	Standard Length	Suitable Product
ALC21S01FLX	13.5*21.5	1000mm	S21, SF21
		2000mm	S21, SF21

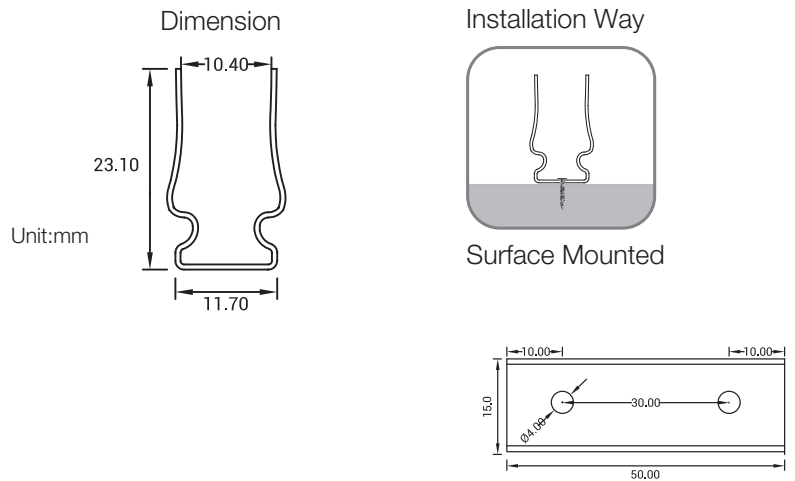
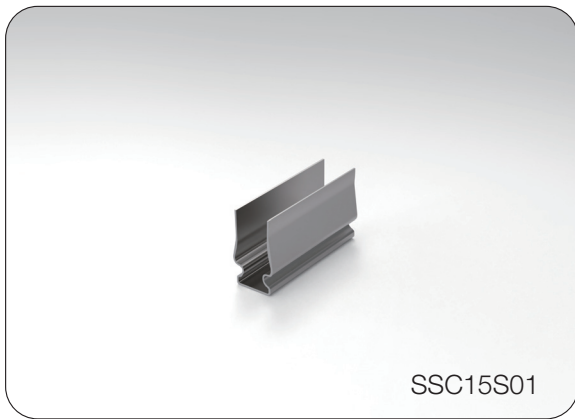
# LED linear Flex Mounting Channel

## 3. Plastic Channel



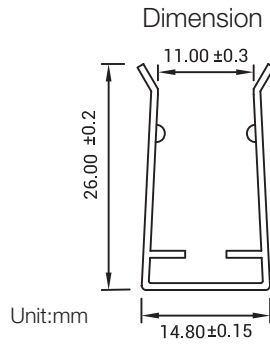
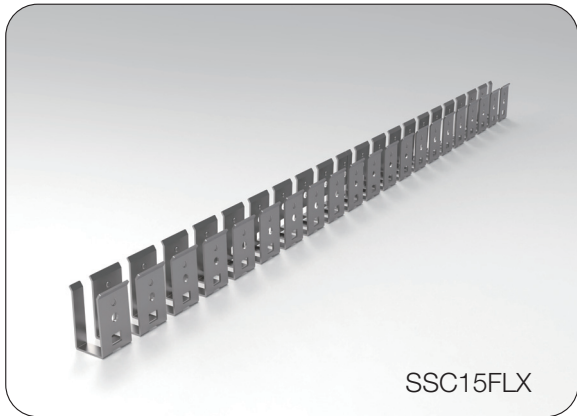
Model	W x H(mm)	Standard Length	Screw Holes	Holes Numbers	Suitable Product
PC15/21S01-T	19.6*26.3	35mm	Ø4.0mm	2	S15, S21, SF15, SF21
		1000mm	Ø4.0mm	2	S15, S21, SF15, SF21
		2000mm	Ø4.0mm	4	S15, S21, SF15, SF21

## 4. Stainless steel Channel

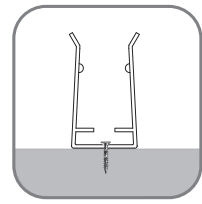


Model	W x H(mm)	Standard Length	Screw Holes	Holes Numbers	Suitable Product
SSC15S01	11.7*23.1	50mm	Ø4.0mm	2	S15, S21, SF15, SF21

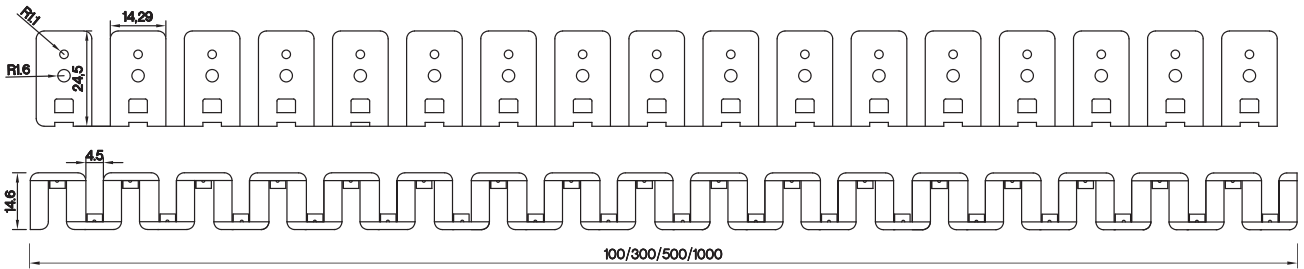
# LED linear Flex Mounting Channel



Installation Way



Surface Mounted



Model	W x H(mm)	Standard Length	Suitable Product
SSC15 FLX	14.8*26.0	100mm	S15, S21, SF15, SF21
		300mm	S15, S21, SF15, SF21
		500mm	S15, S21, SF15, SF21
		500mm	S15, S21, SF15, SF21



# LED linear Flex Packing Details

## Standard: Carton ( Paper Reel Inside)



Product	Max.Length	Carton Size	Net Weight	Gross Weight
S15/SF15	30m	34*34*18cm	12kg	13.6kg
T16/SF16	20m	34*34*18cm	8.6kg	10.2kg
S17/SF17	20m	34*34*18cm	8.6kg	10.2kg
T18/SF18	20m	34*34*18cm	8.6kg	10.2kg
S21/SF21	20m	34*34*18cm	10.4kg	12.0kg
T10/SF10	30m	34*34*18cm	9.6kg	11.2kg
S09/SF09	35m	34*34*18cm	5.8kg	7.4kg
F08/SF08S	30m	34*34*18cm	7.2kg	8.8kg
S06/SF06	30m	34*34*18cm	7.2kg	8.8kg

## Custom: Carton ( White Box+ Plastic Plate Inside)



Product	Package 1 Dimension	Length	Gross Weight	Package 2 Dimension	Length	Gross Weight
S15/SF15	38*38*3cm	5m	2.5kg	45*55*3cm	10m	5kg
T16/SF16	38*38*3cm	5m	2.6kg	51*61*4cm	10m	5.2kg
S17/SF17	38*38*3cm	5m	2.6kg	51*61*4cm	10m	5.2kg
T18/SF18	38*38*3cm	5m	2.6kg	51*61*4cm	10m	5.2kg
S21/SF21	38*38*3cm	5m	3.1kg	51*61*4cm	10m	6.2kg
T10/SF10	38*38*3cm	5m	2.0kg	45*55*3cm	10m	4kg
S09/SF09	38*38*3cm	5m	1.5kg	45*55*3cm	10m	3kg
S08/SF08	38*38*3cm	5m	1.5kg	45*55*3cm	10m	3kg
S06/SF06	38*38*3cm	5m	1.5kg	45*55*3cm	10m	3kg