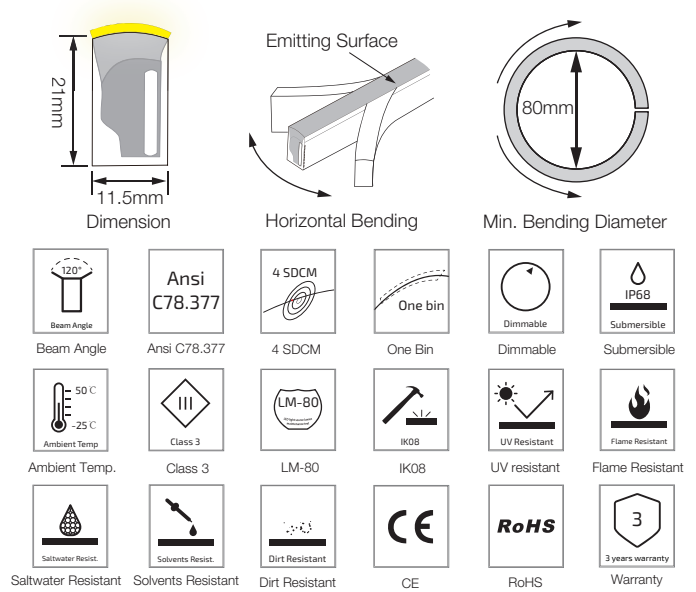
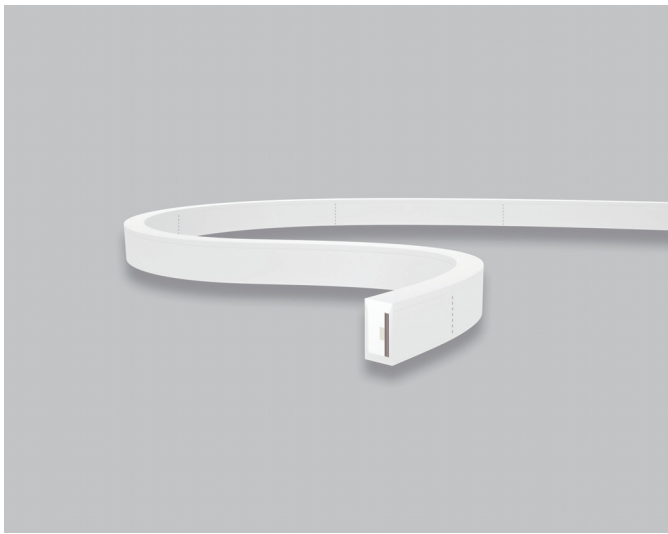


S15 Mono Color LED linear Flex

S15-48V-5050-60-2200K-6500K

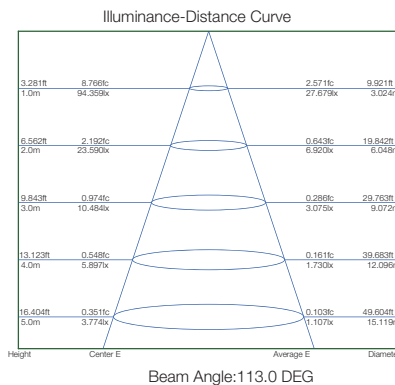
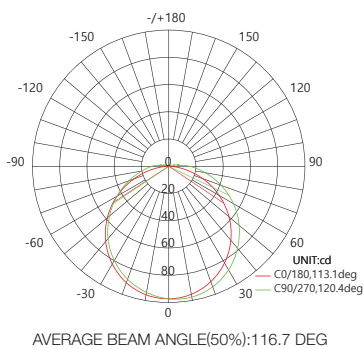
Specification



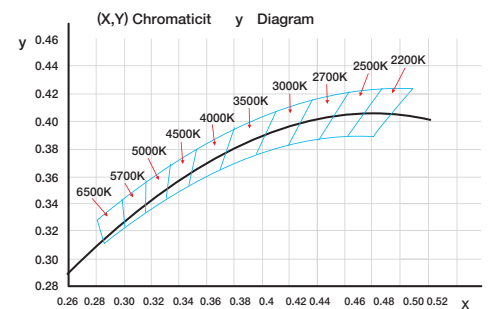
Technical Parameters

Electrical		Optional Color		Lumen Output	
Input Voltage	48V DC		2200K(2238±102K)	380lm/m	
Power Consumption	12W/m		2700K(2725±145K)	380lm/m	
Physical			3000K(3045±175K)	400lm/m	
LED Count	60 LEDs/m		3500K(3465±245K)	400lm/m	
Cutting Unit	15 LEDs		4000K(3985±275K)	400lm/m	
Cutting Unit Length	250mm		4500K(4503±243K)	410lm/m	
Minimum Bend Diameter	80mm		5000K(5029±283K)	410lm/m	
Output			6500K(6532±510K)	410lm/m	
LED Light	Epistar SMD LED 5050		Green(520-530nm)	236lm/m	
CRI	>80, >90		Blue (520-530nm)	46lm/m	
Max Run Length*			Lemon Yellow(520-530nm)	300lm/m	
Single Feed	20M		Pink(630-645nm)	180lm/m	
Double Feed	40M				
Beam Angle	120°				
Lumen Maintenance	70,000 Hours L70 @ 25°C 50,000 Hours L70 @ 50°C				
Temperature Ranges					
Installation	0°C to 50°C				
Operating	-25°C to 50°C				
Dependability					
Warranty	3 Years Warranty				
IP Rating	IP68 Wet location submersible <2m				

Illuminance Distribution



White Color Charts



S15 Mono Color LED Linear Flex

Connection

