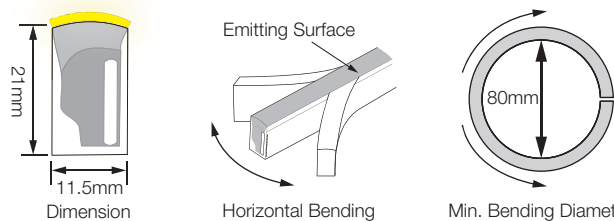


# S15 SPI Pixel Chasing RGB LED Linear Flex

S15-24V-5050-70-SPI-RGB

## Specification



Beam Angle	Pixel RGB	SPI Programmable	Dimmable	Submersible	Ambient Temp.
Class 3	LM-80	IK08	UV Resistant	Flame Resistant	Saltwater Resistant
Solvents Resistant	Dirt Resistant	CE	RoHS	UL Listed	Warranty

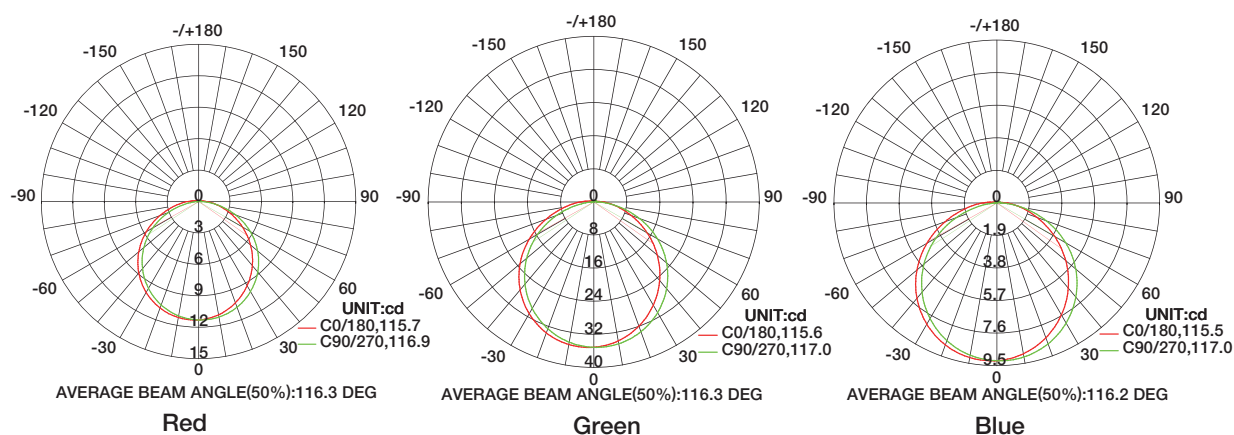
## Technical Parameters

Electrical	
Input Voltage	24V DC
Power Consumption	15W/m
Physical	
LED Count	70 LEDs/m
Cutting Unit	7 LEDs
Cutting Unit Length	100mm
Minimum Bend Diameter	80mm
Output	
LED Light	Epistar SMD LED 5050
Color	RGB
Working Mode	SPI
Pixels Quantity	10 Pixels/m
IC Chips	UCS8903
Max Run Length*	
Single Feed	8M
Double Feed	16 M
Beam Angle	120°
Lumen Maintenance	70,000 Hours L70 @ 25°C 50,000 Hours L70 @ 50°C

Emitting Color	Lumen Output
	Red 40lm/m
	Green 130lm/m
	Blue 28m/m

Temperature Ranges	
Installation	0°C to 50°C
Operating	-25°C to 50°C
Dependability	
Warranty	3 Years Warranty
IP Rating	IP68 Wet location submersible <2m

## Illuminance Distribution



# S15 SPI Pixel Chasing RGB LED Linear Flex

