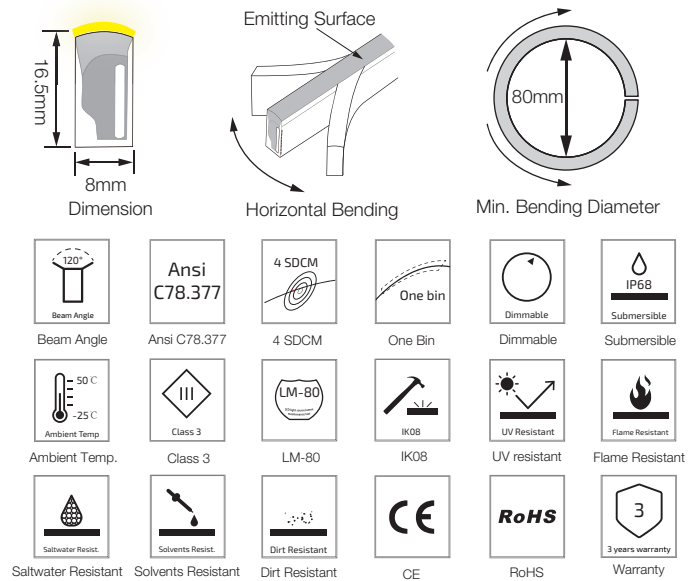
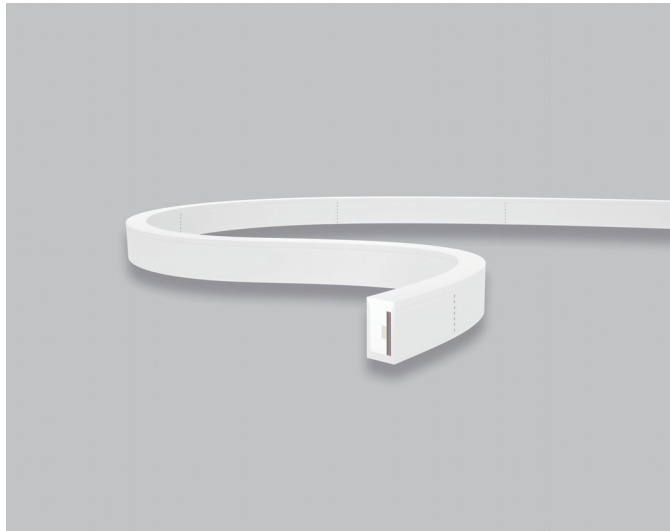


S09 Mono Color LED Linear Flex

S09-48V-2835-84-CC-2200K-6500K

Specification

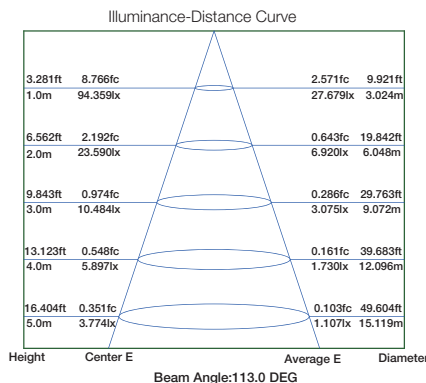
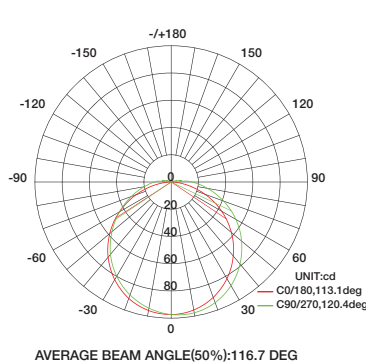


Technical Parameters

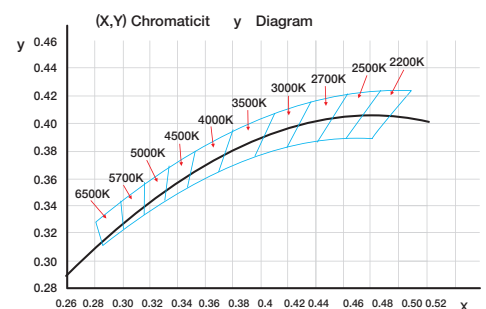
Electrical	
Input Voltage	48V DC (Built In Constant Current)
Power Consumption	5W/m
Physical	
LED Count	84 LEDs/m
Cutting Unit	14 LEDs
Cutting Unit Length	166.7mm
Minimum Bend Diameter	80mm
Output	
LED Light	Epistar SMD LED 2835
CRI	>80, >90
Max Run Length*	
Single Feed	50M
Double Feed	100M
Beam Angle	120°
Lumen Maintenance	70,000 Hours L70 @ 25°C 50,000 Hours L70 @ 50°C
Temperature Ranges	
Installation	0°C to 50°C
Operating	-25°C to 50°C
Dependability	
Warranty	3 Years Warranty
IP Rating	IP68 Wet location submersible <2m

Optional Color	Lumen Output
	2200K(2238±102K) 150lm/m
	2700K(2725±145K) 150lm/m
	3000K(3045±175K) 170lm/m
	3500K(3465±245K) 170lm/m
	4000K(3985±275K) 180lm/m
	4500K(4503±243K) 180lm/m
	5000K(5029±283K) 190lm/m
	6500K(6532±510K) 190lm/m
	Green(520-530nm) 200lm/m
	Blue (520-530nm) 35lm/m
	Lemon Yellow(520-530nm) 90lm/m
	Pink(630-645nm) 55lm/m

Illuminance Distribution



White Color Charts



S09 Mono Color LED Linear Flex

Connection

