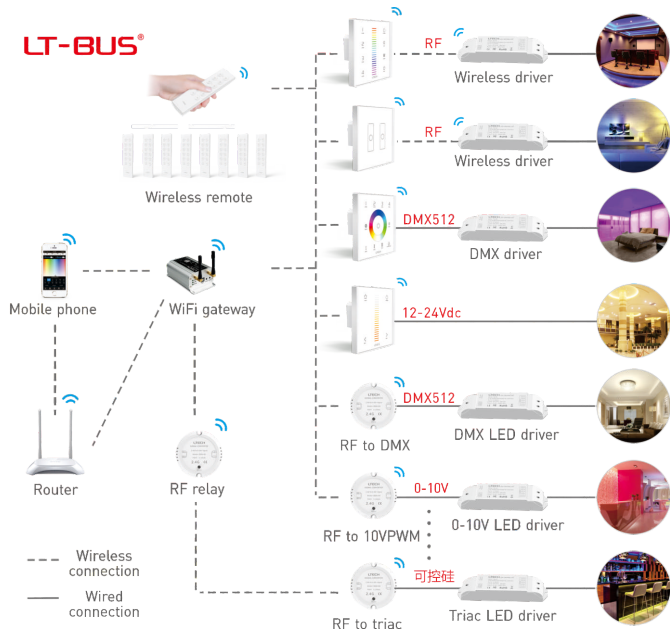


EXC1 Touch Panel (Dimming)



Manual
www.ltech-led.com



Product Features

LTECH

- Adopt 2.4GHz RF wireless transmission technology, which is applicable for license and patent free worldwide.
- Within effective range, unlimited receivers can be connected, workable with any matching zone of remotes.
- Support DMX512 signal output, can work as DMX master controller to control DMX fixture.
- Support multi panels coordinated control wirelessly, no quantity limited.
- Touch keys with chord and LED indicator.

Technical Specs

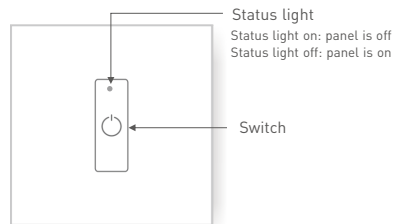
EXC1 Touch Panel

Input Voltage:	100-240Vac	Dimensions:	L86×W86×H37(mm)
Output Signal:	RF 2.4GHz, DMX512	Package Size:	L113×W112×H50(mm)
Working Temp.:	-30°C-55°C	Weight[G.W.]:	225g



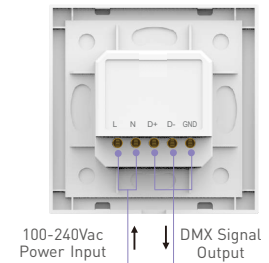
Key Functions:

LTECH

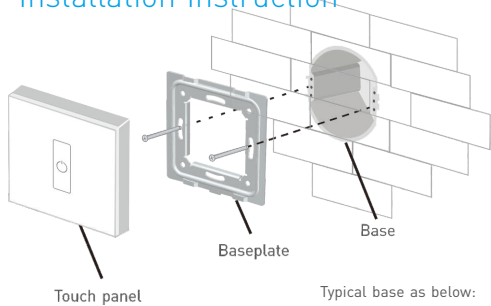


- * Short press to turn on/off lamps.
- * When status light is on, long press switch to turn on/off the buzzer.
- * When status light is off, long press switch to adjust brightness. beep once and status light flicker twice when max. or min. brightness.

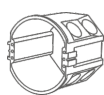
Terminals:



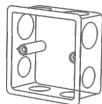
Installation Instruction



Typical base as below:

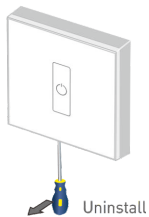


European style



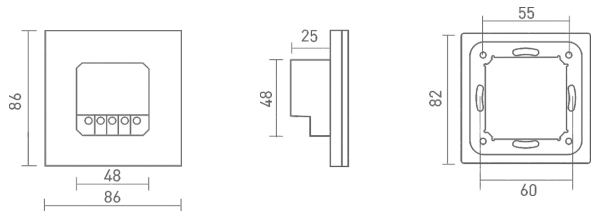
86 size

LTECH



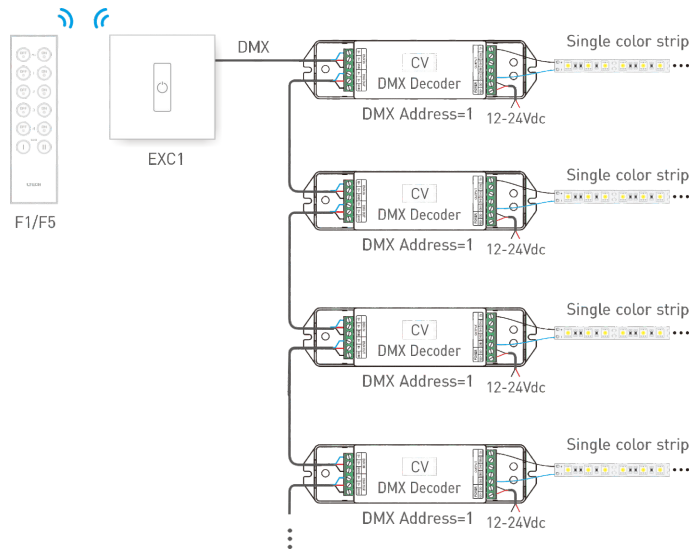
Product Size

Unit: mm



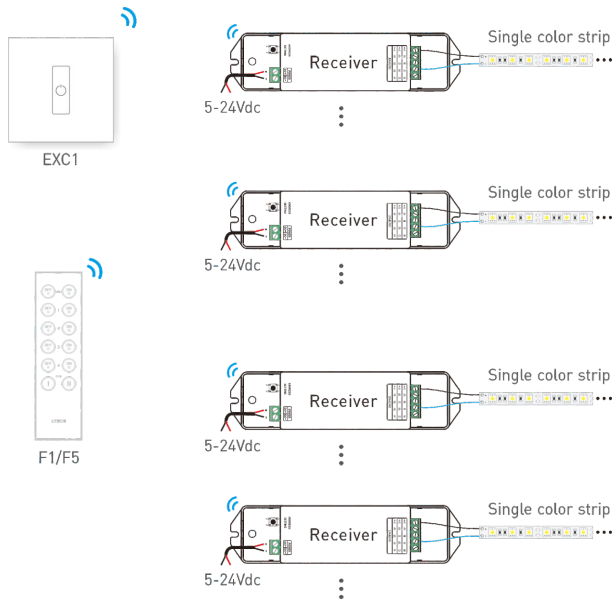
DMX Wiring

LTECH



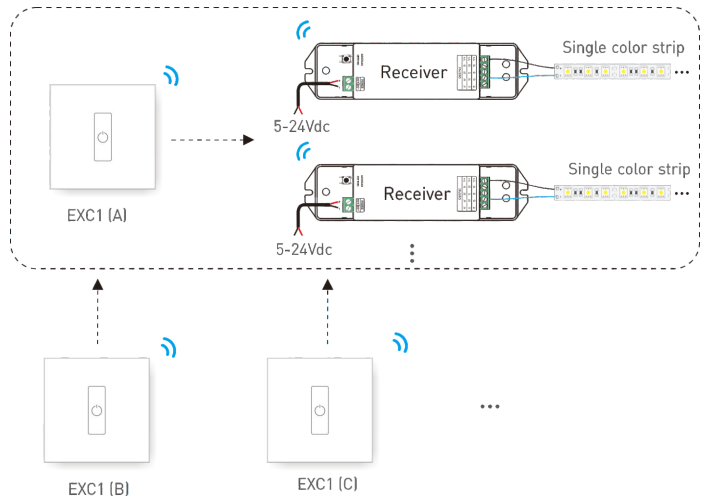
RF Wireless Wiring

LTECH



Coordinated Control Wiring

LTECH



- * After touch panel A realizes controlling the lamps, if B and C are matched up with A, they can also control the lamps.
- * Connecting touch panel with DMX decoders can also realize coordinated control function.

Match code between Touch Panel & Receiver

LTECH

Match code:

Method 1 : Please match / clear code When status light is off.

1.



Receiver

Power on and power off receiver for 3 times, the lamps flicker, please complete step 2 within 10s.

2.



Press switch on panel, the lamps stop flicking, match successfully.

Method 2 : Please match / clear code When status light is off.

1.



Receiver

ID learning button

Short press "ID learning button" on receiver, the lamps flicker, please complete step 2 within 10s.

2.



Press switch on panel, the lamps stop flicking, match successfully.

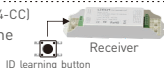
Clear code:

Method 1: Power on and off receiver (F4-3A/5A, F4-CC) continuously for 10 times, If buzzer long beep and lamps flicker 5 times, deactivate the matching successfully.



Receiver

Method 2: Long press "ID learning button" on receiver (F4-3A/5A, F4-CC) for 6 seconds, If the lamps flicker 5 times, deactivate the matching successfully.



Receiver

ID learning button

Match Code between Touch Panels

LTECH

Match code:

1. Assume that B match up with A, long press switch on B until brightest or darkest, keep pressing for 5 seconds, the status light flicker.



2. Press switch on A, status light on B stop flicking, match successfully.



Match Code between Touch Panel & Remote

Match code:

1. Long press switch until brightest or darkest, keep pressing for 5 seconds, the status light flicker.



2. Press any key on F1 remote, (or any zone key on F5 remote) status light of touch panel stop flicking, match successfully.



Clear code



Long press switch until brightest or darkest, keep pressing for 5s, status light flicker, keep pressing for 5s, status light flick 5 times, deactivated the matching successfully.

* Please match/clear code when panel status light is off.