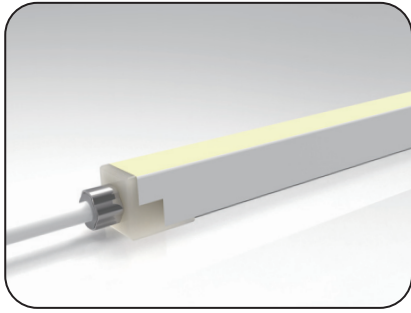
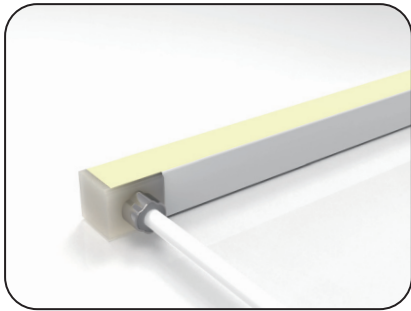
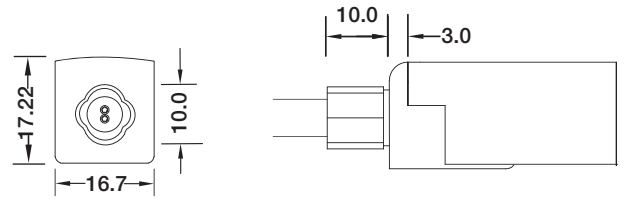


T16 Configuration and Accessories

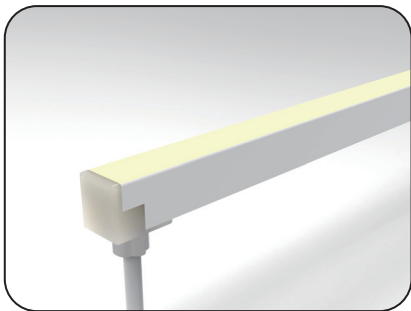
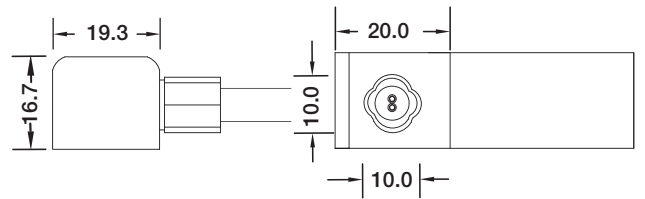
Mold injection Connector (IP68 Factory Assembly Only)



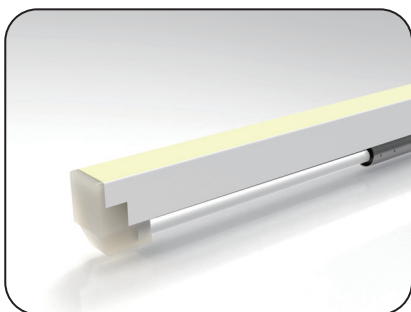
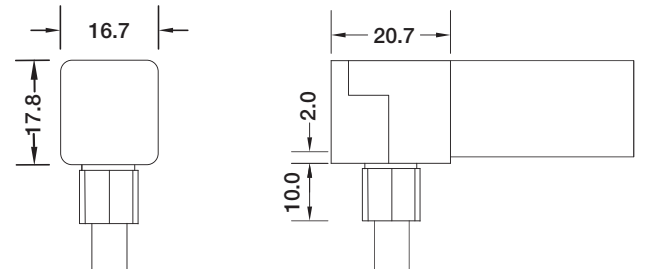
Direct Entry Connector
 MJ-16-A-D01/02/03
 MJ-16-A-D01SM
 MJ-16-A-D02SF
 MJ-16-A-D03SFM



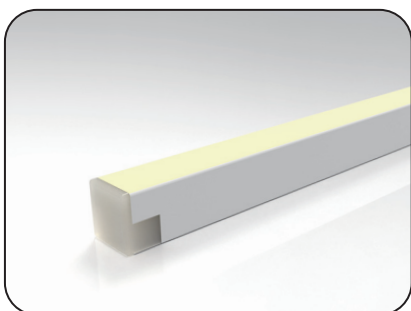
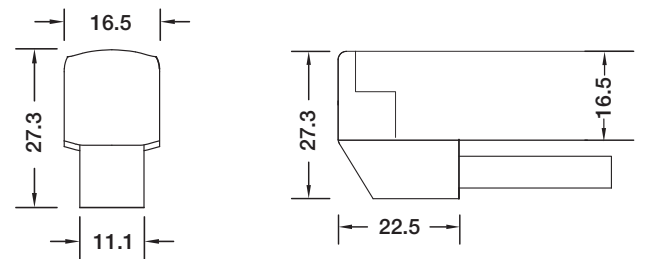
Side Entry Connector
 MJ-16-A-S01/02/03
 MJ-16-A-S01SM
 MJ-16-A-S02SF
 MJ-16-A-S03SFM



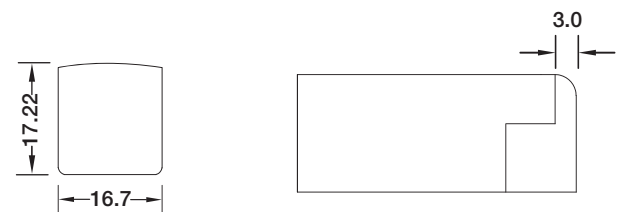
Bottom Entry Connector
 MJ-16-A-S01/02/03
 MJ-16-A-S01SM
 MJ-16-A-S02SF
 MJ-16-A-S03SFM



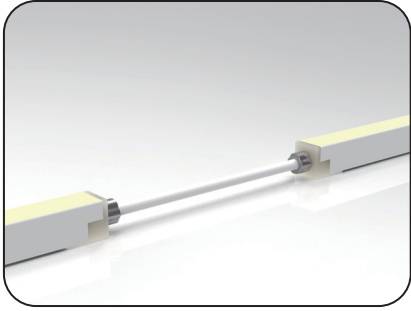
L Shape Entry Connector
 MJ-16-A-L01/02/03
 MJ-16-A-L01SM
 MJ-16-A-L02SF
 MJ-16-A-L03SFM



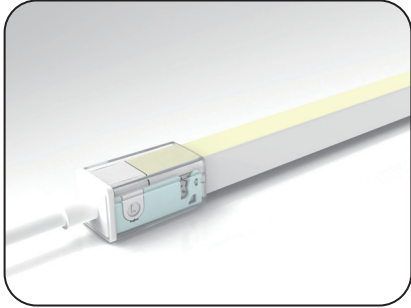
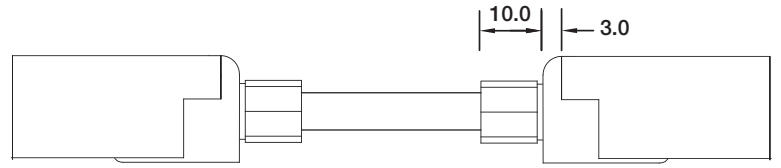
End Cap



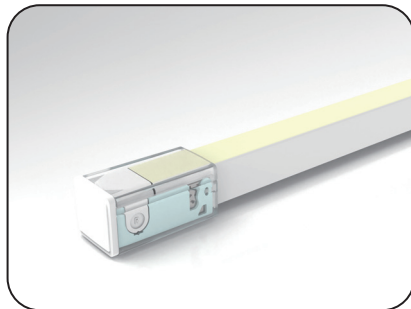
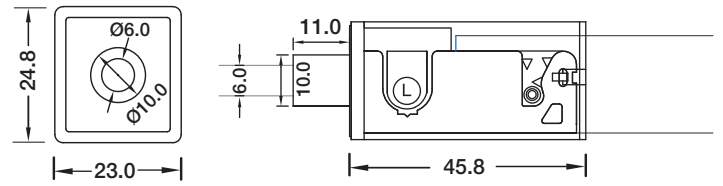
T16 Configuration and Accessories



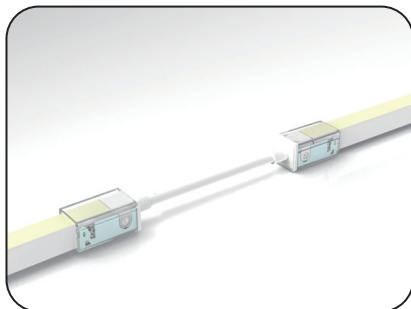
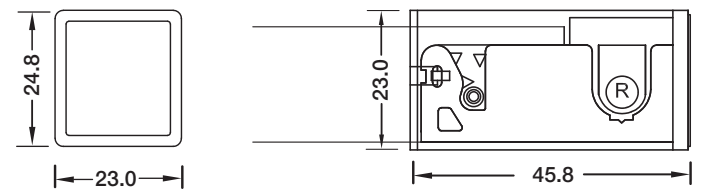
Jumper
MJ-16-A-D-JC



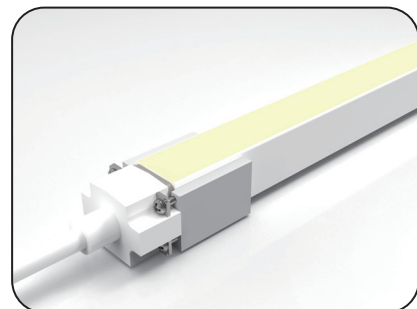
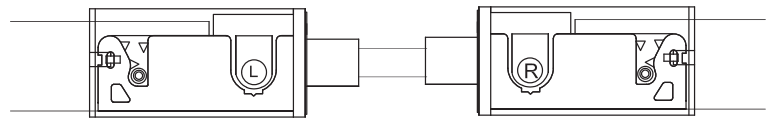
DIY Snap Connector
DIY-SN-FR-16-D-01/02-A



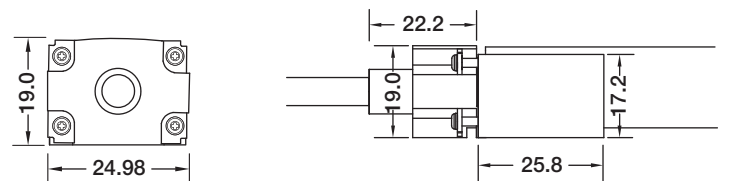
DIY Snap End Cap
DIY-SN-END-16-D-01/02



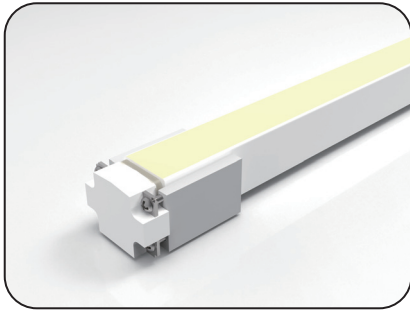
DIY Snap Connector Jumper
DIY-SN-FR-16-A-D-JC



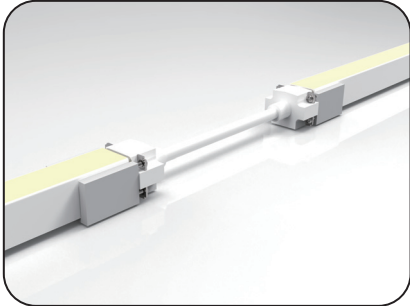
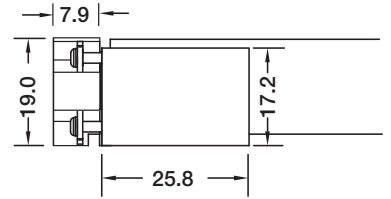
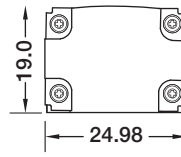
DIY Screw Connector
DIY-SC-FR-16-D-01/02-A



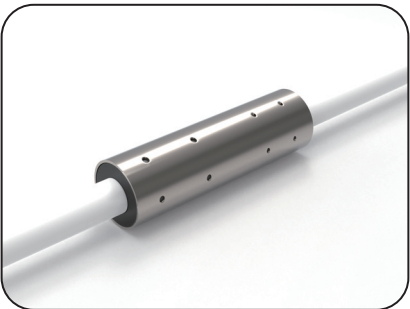
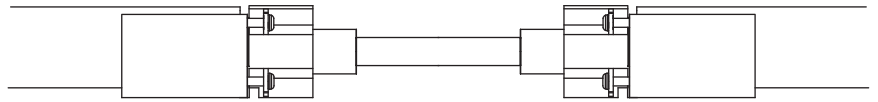
T16 Configuration and Accessories



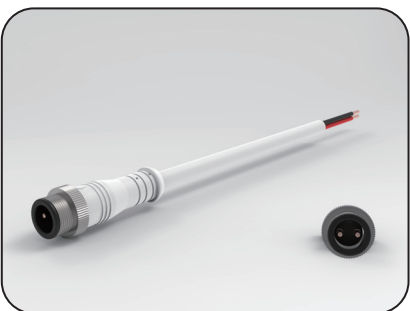
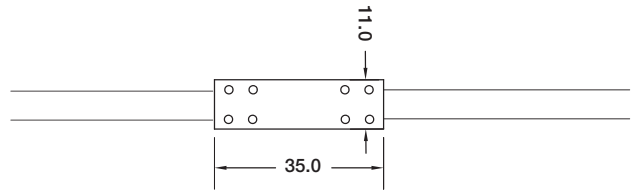
DIY Screw Connector
DIY-SC-END-16



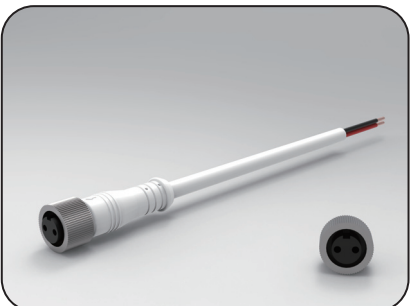
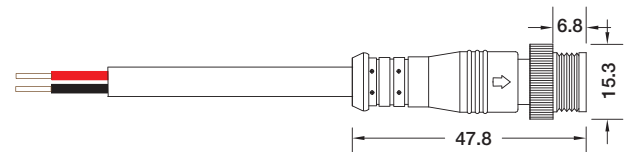
DIY Screw Extension Connector
DIY-SC-EXT-16-A



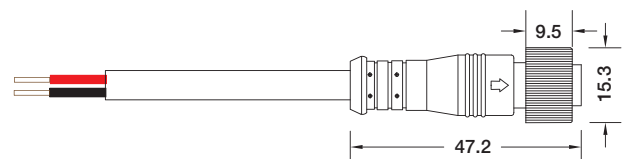
Waterproof Interrupter



Male Connector
SYZ-M12-M-2C-075-W

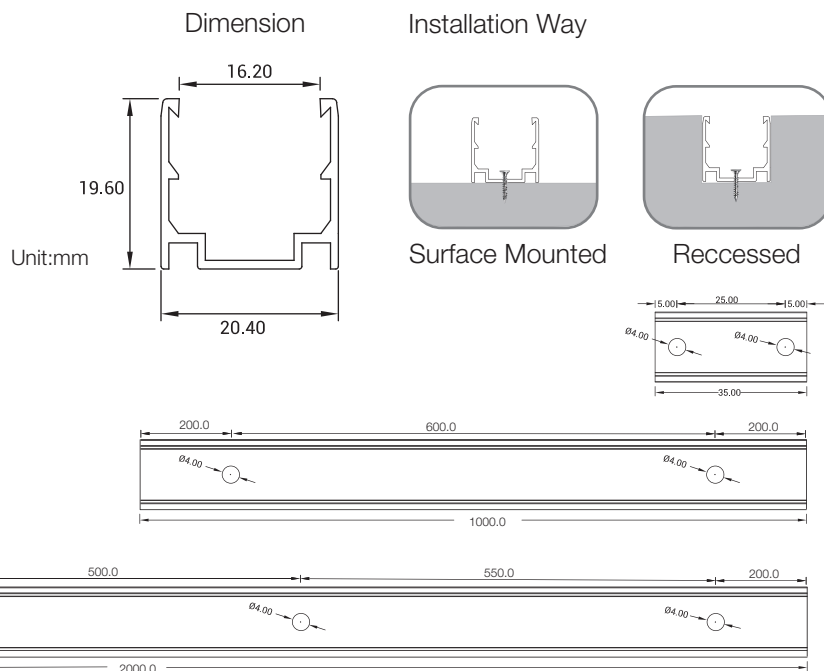
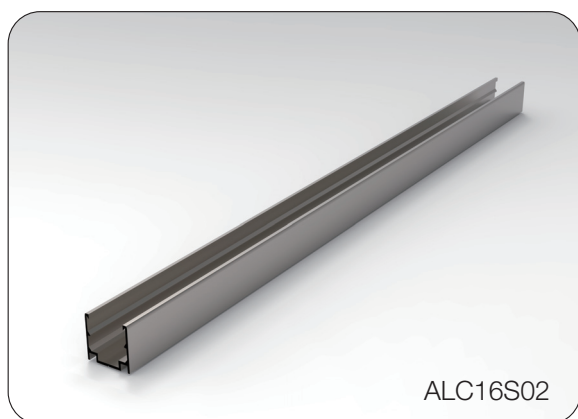


Female Connector
SYZ-M12-F-2C-075-W

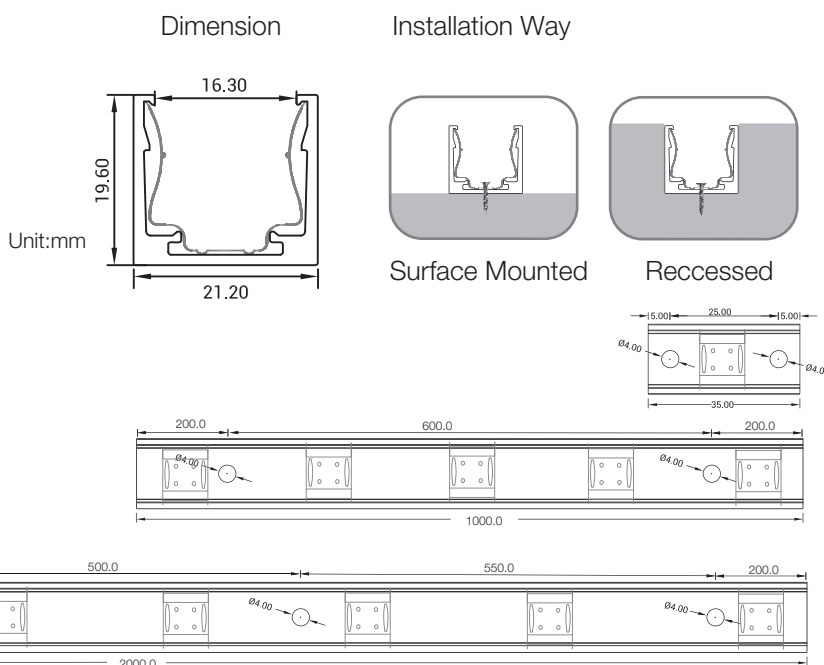
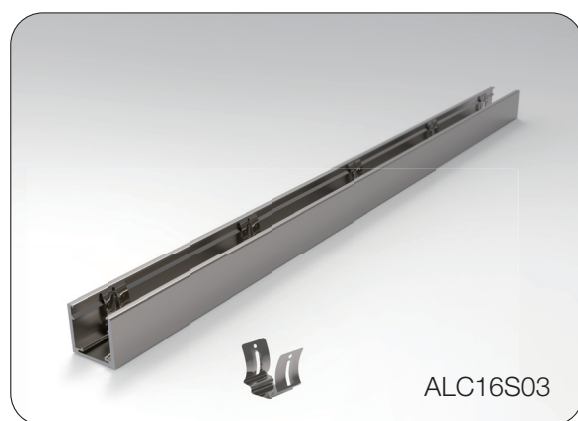


LED linear Flex Mounting Channel

1. Aluminum Channel

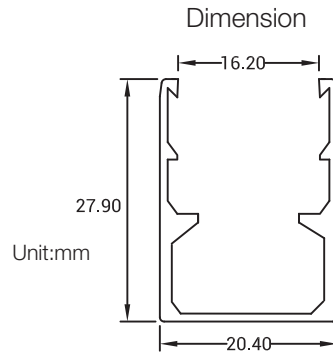
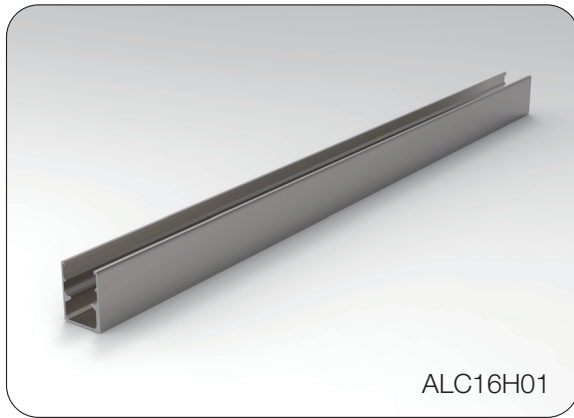


Model	W x H(mm)	Standard Length	Screw Holes	Holes Numbers	Suitable Product
ALC16S02	20.4*19.6	35mm	Φ4.0mm	2	T16, S17, SF16, SF17
		1000mm	Φ4.0mm	2	T16, S17, SF16, SF17
		2000mm	Φ4.0mm	4	T16, S17, SF16, SF17

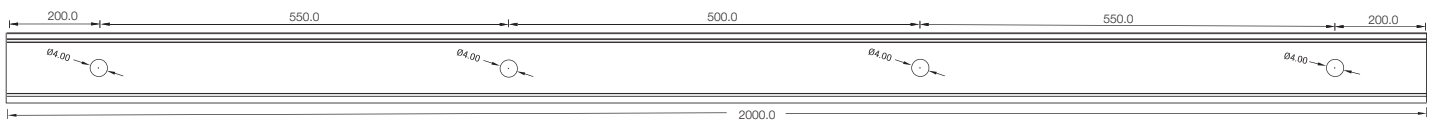
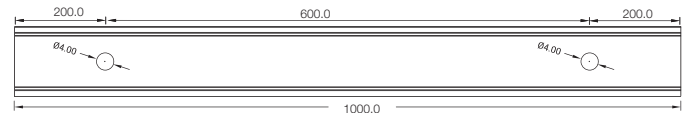
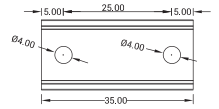
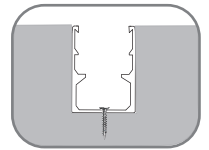
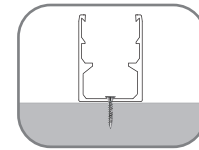


Model	W x H(mm)	Standard Length	Screw Holes	Holes Numbers	Clips	Suitable Product
ALC16S03	21.2*19.6	35mm	Φ4.0mm	2	1	T16, T17, SF16, SF17
		1000mm	Φ4.0mm	2	5	T16, T17, SF16, SF17
		2000mm	Φ4.0mm	4	8	T16, T17, SF16, SF17

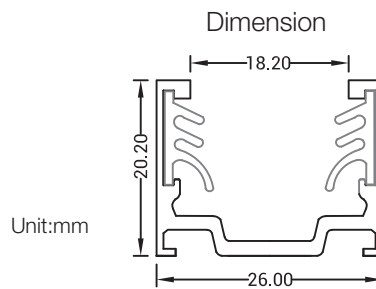
LED linear Flex Mounting Channel



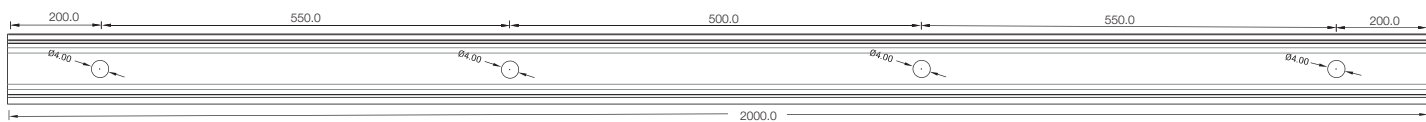
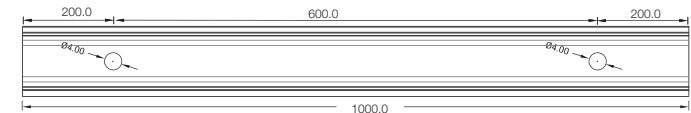
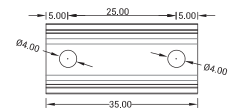
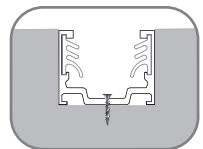
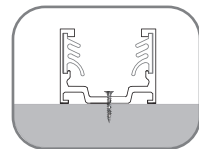
Installation Way



Model	W x H(mm)	Standard Length	Screw Holes	Holes Numbers	Suitable Product
ALC16H01	20.4*27.9	35mm	Φ4.0mm	2	T16, T17, SF16, SF17
		1000mm	Φ4.0mm	2	T16, T17, SF16, SF17
		2000mm	Φ4.0mm	4	T16, T17, SF16, SF17



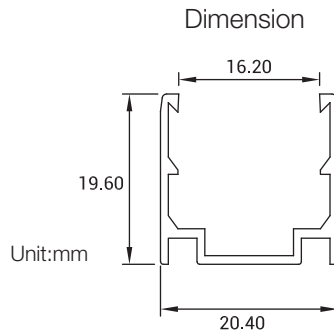
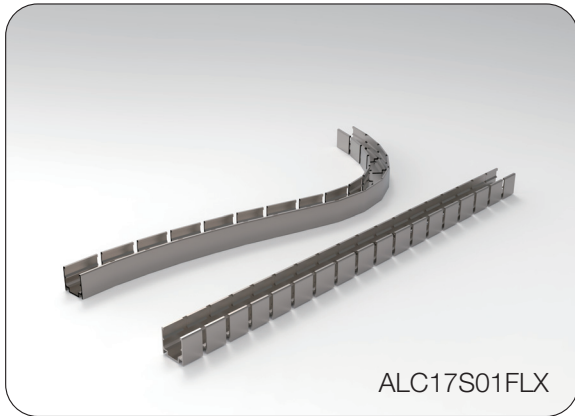
Installation Way



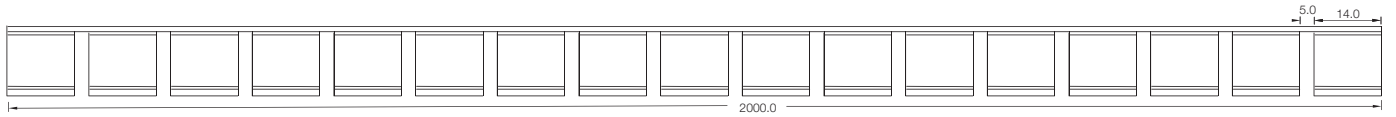
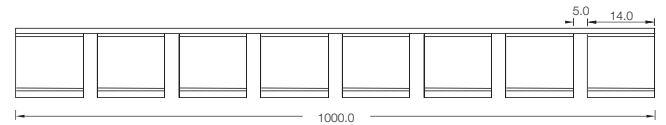
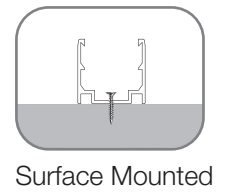
Model	W x H(mm)	Standard Length	Screw Holes	Holes Numbers	Clips	Suitable Product
ALC16S04	26.0*20.2	35mm	Φ4.0mm	2	2	T16, T17, SF16, SF17
		1000mm	Φ4.0mm	2	2	T16, T17, SF16, SF17
		2000mm	Φ4.0mm	4	2	T16, T17, SF16, SF17

LED linear Flex Mounting Channel

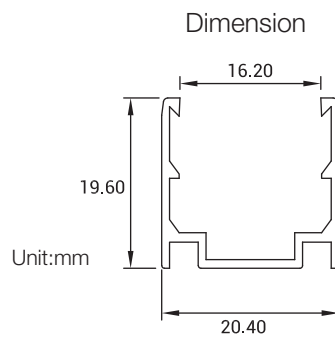
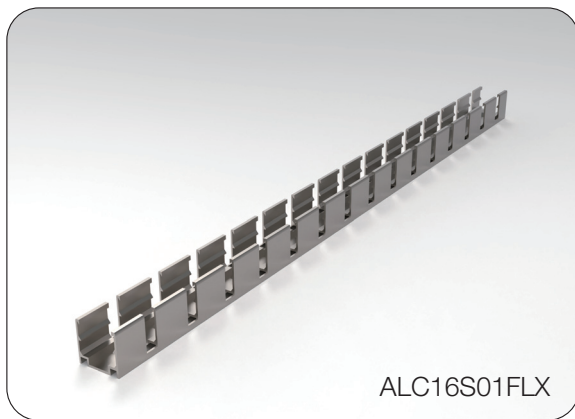
2. Flexible Aluminum Channel



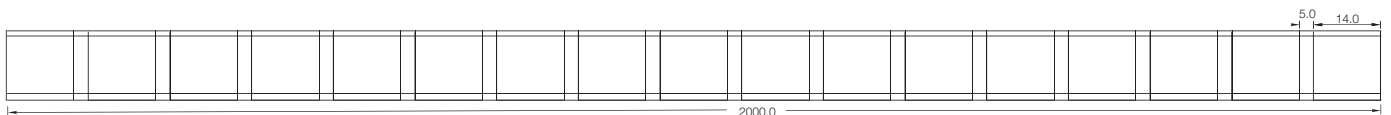
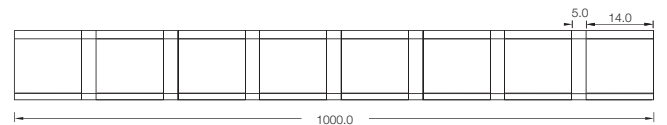
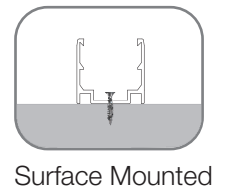
Installation Way



Model	W x H(mm)	Standard Length	Suitable Product
ALC17FLX	20.4*19.6	1000mm	T17, SF17
		2000mm	T17, SF17



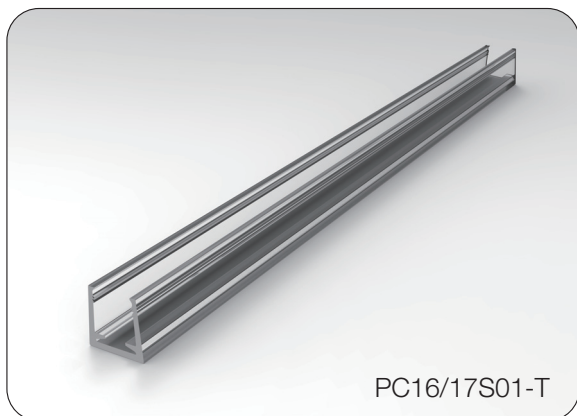
Installation Way



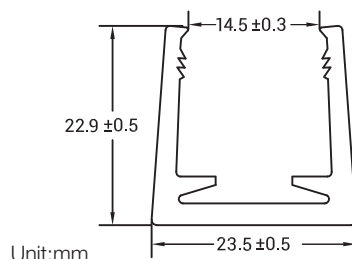
Model	W x H(mm)	Standard Length	Suitable Product
ALC16S01FLX	20.4*19.6	1000mm	T16, SF16
		2000mm	T16, SF16

LED linear Flex Mounting Channel

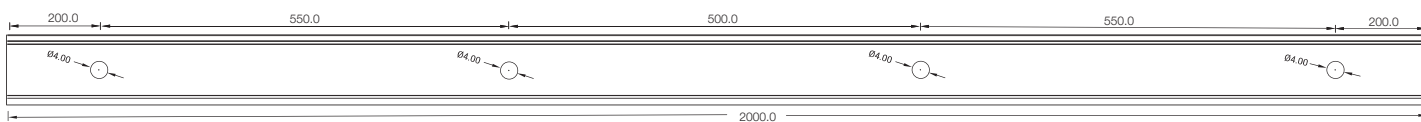
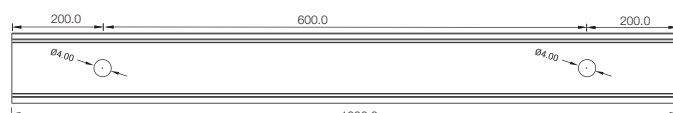
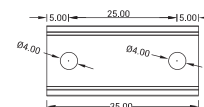
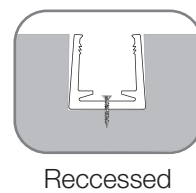
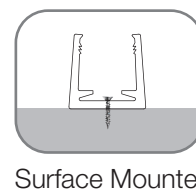
3. Plastic Channel



Dimension



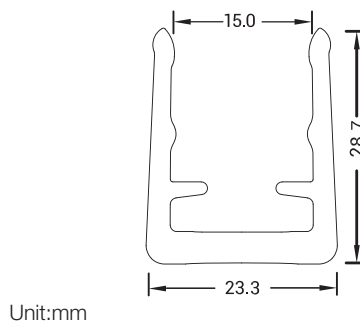
Installation Way



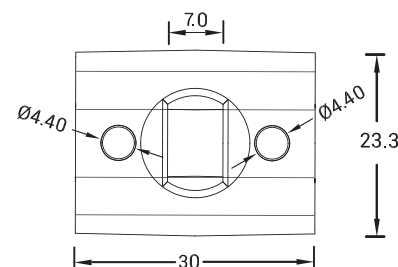
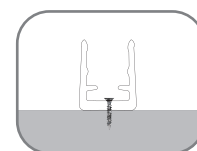
Model	W x H(mm)	Standard Length	Screw Holes	Holes Numbers	Suitable Product
PC16/17S01-T	24.6*22.9	1000mm	Φ4.0mm	2	T16, T17, SF16, SF17
		2000mm	Φ4.0mm	4	T16, T17, SF16, SF17



Dimension

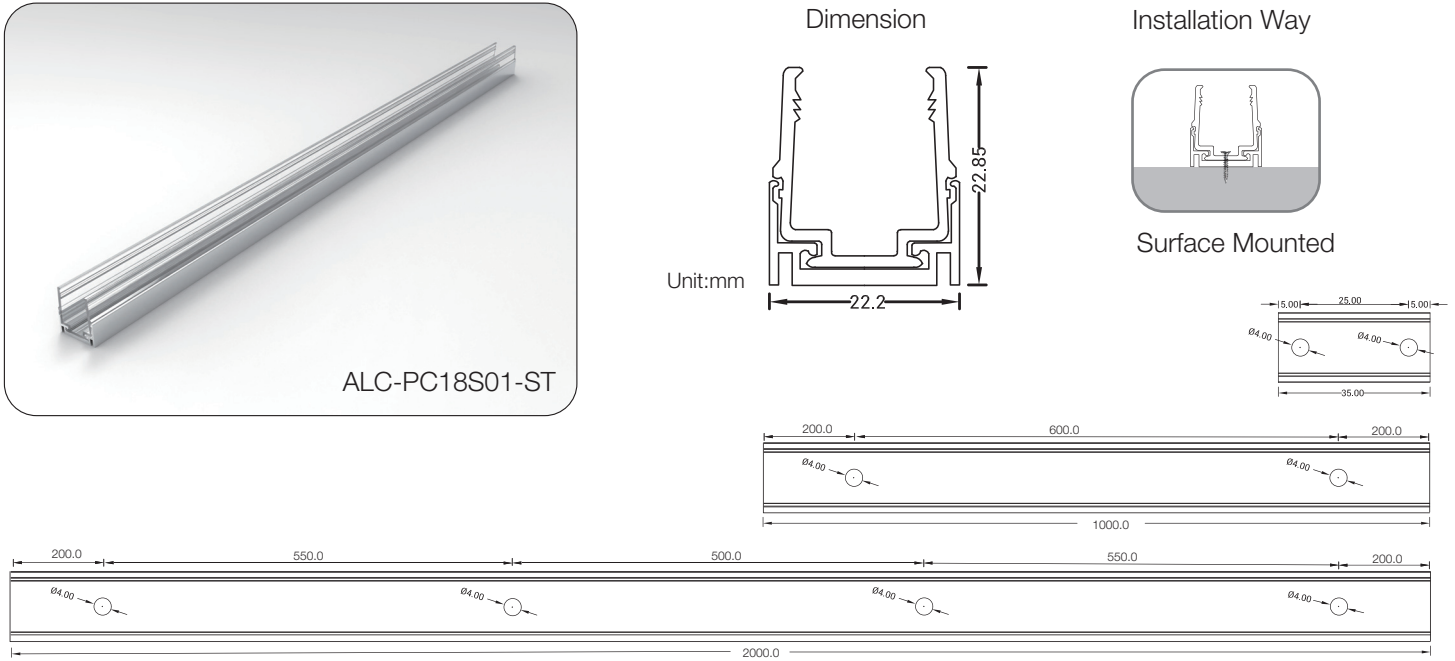
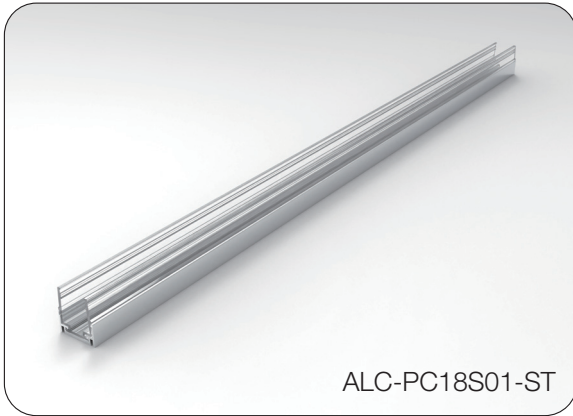


Installation Way



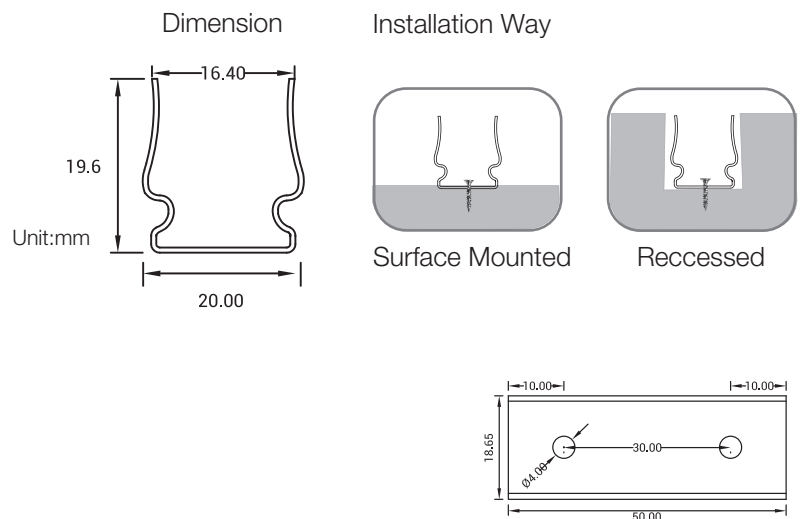
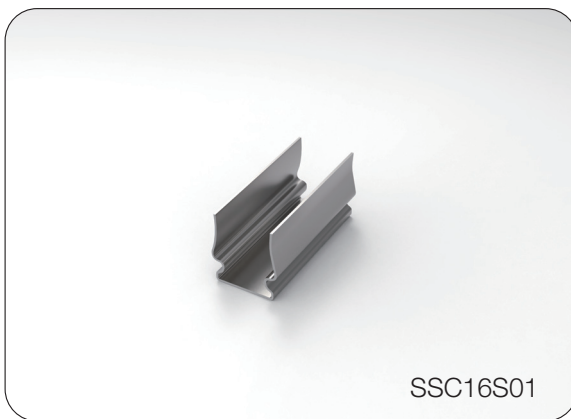
Model	W x H(mm)	Standard Length	Screw Holes	Holes Numbers	Suitable Product
SJJ-ZSH-008-PC	23.3*28.7	30mm	Φ4.40mm	2	T16, T17, S18, SF16, SF17, SF18

LED linear Flex Mounting Channel



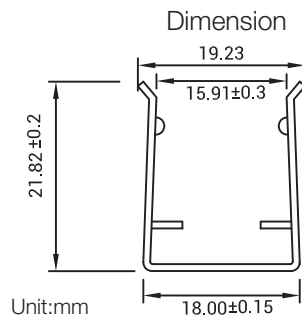
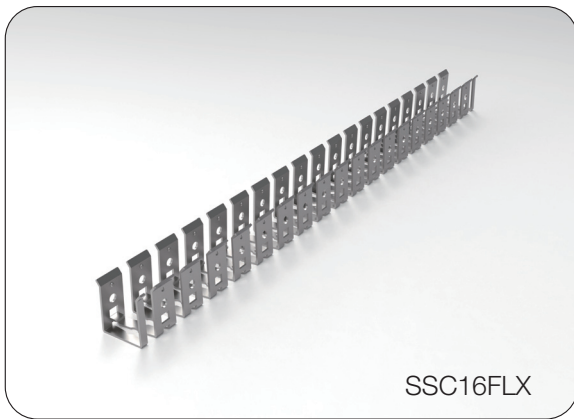
Model	W x H(mm)	Standard Length	Screw Holes	Holes Numbers	Suitable Product
ALC-PC18S01-ST	22.2*22.85	35mm	Φ4.0mm	2	T16, T17, S18, SF16, SF17, SF18
		1000mm	Φ4.0mm	2	T16, T17, S18, SF16, SF17, SF18
		2000mm	Φ4.0mm	4	T16, T17, S18, SF16, SF17, SF18

4. Stainless Steel Channel

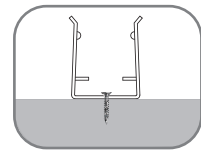


Model	W x H(mm)	Standard Length	Screw Holes	Holes Numbers	Suitable Product
SSC16S01	20.0*19.6	50mm	Φ4.0mm	2	T16, SF16, T17, SF17

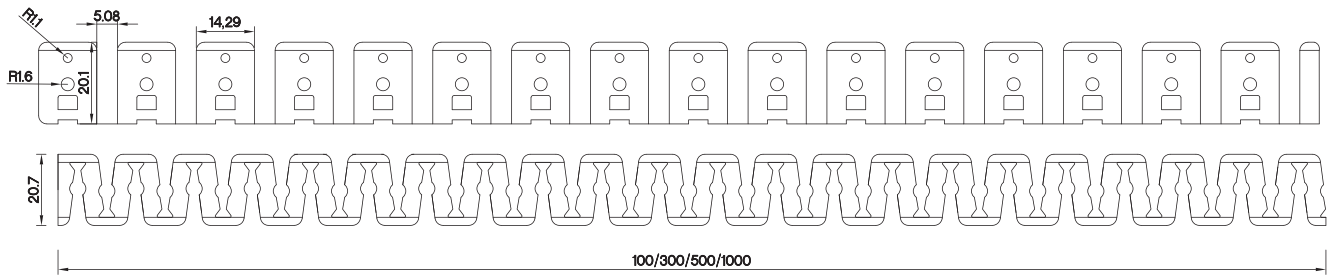
LED linear Flex Mounting Channel



Installation Way



Surface Mounted



Model	W x H(mm)	Standard Length	Suitable Product
SSC16FLX	18.15*22.0	100mm	T16, T17, SF16, SF17
		300mm	T16,T17, SF16, SF17
		500mm	T16,T17, SF16, SF17
		500mm	T16, T17, SF16, SF17

LED linear Flex Packing Details



Standard: Carton (Paper Reel Inside)

Product	Max.Length	Carton Size	Net Weight	Gross Weight
S15/SF15	30m	34*34*18cm	12kg	13.6kg
T16/SF16	20m	34*34*18cm	8.6kg	10.2kg
T17/SF17	20m	34*34*18cm	8.6kg	10.2kg
S18/SF18	20m	34*34*18cm	8.6kg	10.2kg
S21/SF21	20m	34*34*18cm	10.4kg	12.0kg
T10/SF10	30m	34*34*18cm	9.6kg	11.2kg
S09/SF09	35m	34*34*18cm	5.8kg	7.4kg
S08/SF08	30m	34*34*18cm	7.2kg	8.8kg
S06/SF06	30m	34*34*18cm	7.2kg	8.8kg



Custom: Carton (White Box+ Plastic Plate Inside)

Product	Package 1 Dimension	Length	Gross Weight	Package 2 Dimension	Length	Gross Weight
S15/SF15	38*38*3cm	5m	2.5kg	45*55*3cm	10m	5kg
T16/SF16	38*38*3cm	5m	2.6kg	51*61*4cm	10m	5.2kg
T17/SF17	38*38*3cm	5m	2.6kg	51*61*4cm	10m	5.2kg
T18/SF18	38*38*3cm	5m	2.6kg	51*61*4cm	10m	5.2kg
S21/SF21	38*38*3cm	5m	3.1kg	51*61*4cm	10m	6.2kg
T10/SF10	38*38*3cm	5m	2.0kg	45*55*3cm	10m	4kg
T09/SF09	38*38*3cm	5m	1.5kg	45*55*3cm	10m	3kg
S08/SF08	38*38*3cm	5m	1.5kg	45*55*3cm	10m	3kg
S06/SF06	38*38*3cm	5m	1.5kg	45*55*3cm	10m	3kg