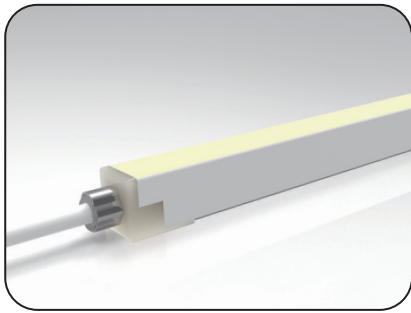
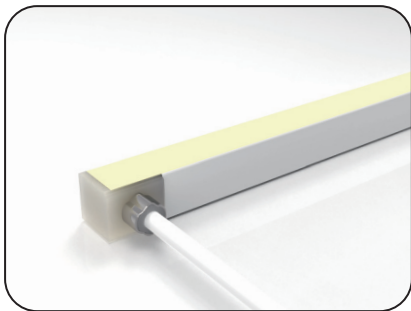
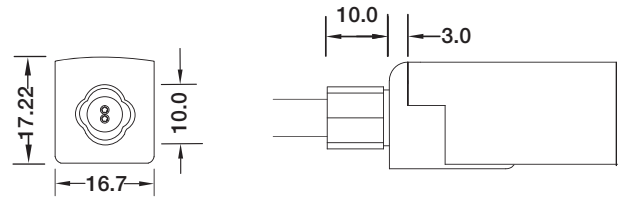


# S16 Configuration and Accessories

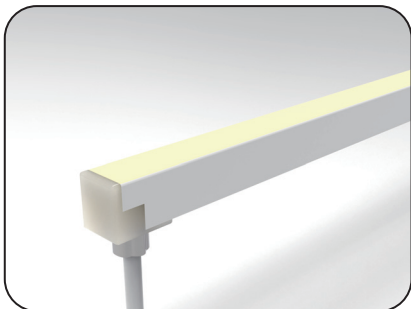
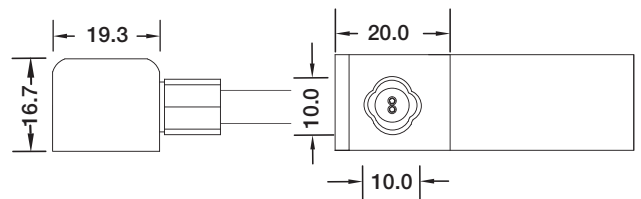
Mold injection Connector (IP68 Factory Assembly Only)



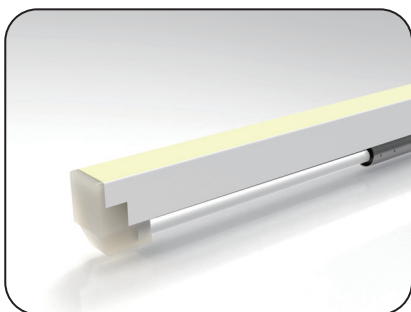
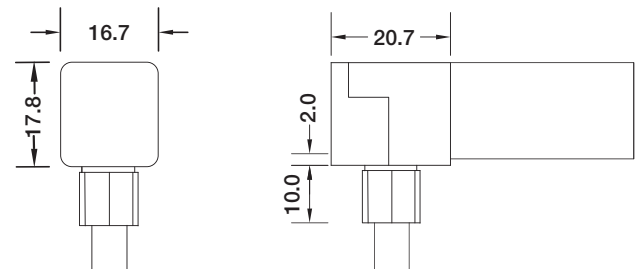
Direct Entry Connector  
 MJ-16-A-D01/02/03  
 MJ-16-A-D01SM  
 MJ-16-A-D02SF  
 MJ-16-A-D03SFM



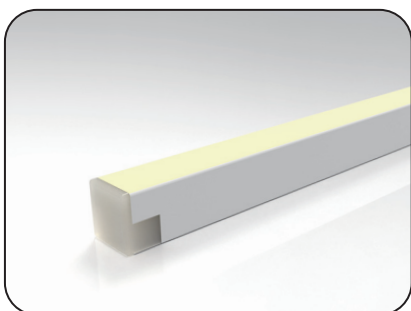
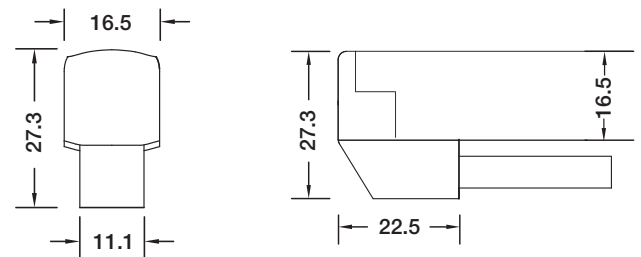
Side Entry Connector  
 MJ-16-A-S01/02/03  
 MJ-16-A-S01SM  
 MJ-16-A-S02SF  
 MJ-16-A-S03SFM



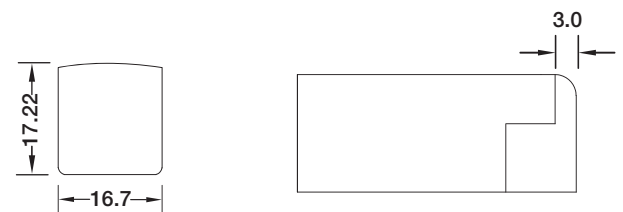
Bottom Entry Connector  
 MJ-16-A-S01/02/03  
 MJ-16-A-S01SM  
 MJ-16-A-S02SF  
 MJ-16-A-S03SFM



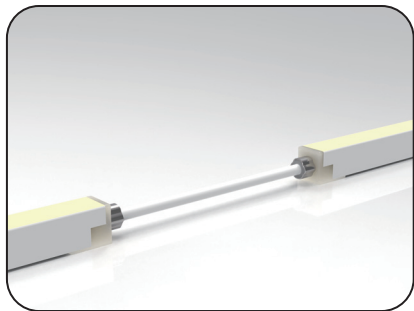
L Shape Entry Connector  
 MJ-16-A-L01/02/03  
 MJ-16-A-L01SM  
 MJ-16-A-L02SF  
 MJ-16-A-L03SFM



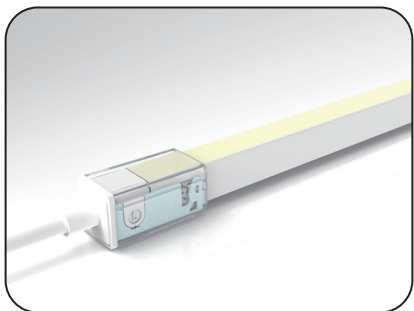
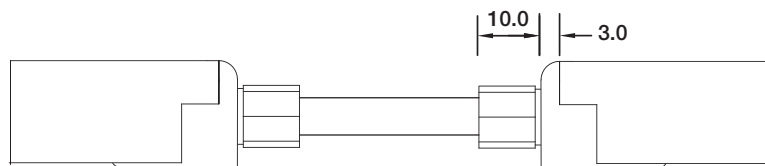
End Cap



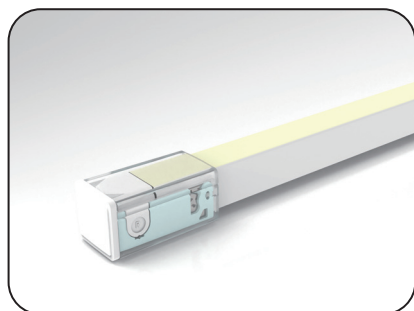
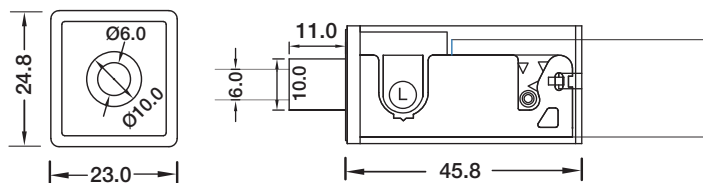
# S16 Configuration and Accessories



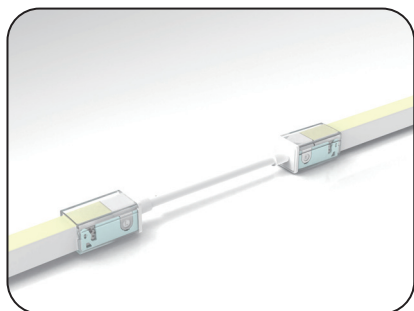
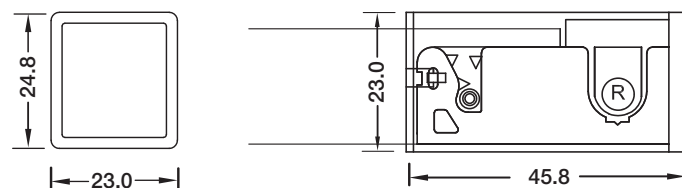
Jumper  
MJ-16-A-D-JC



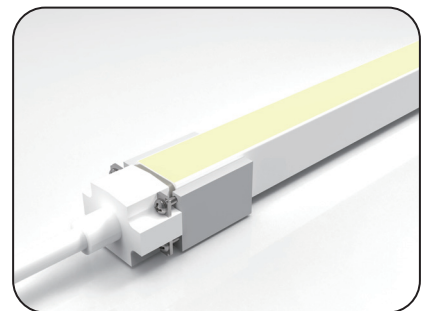
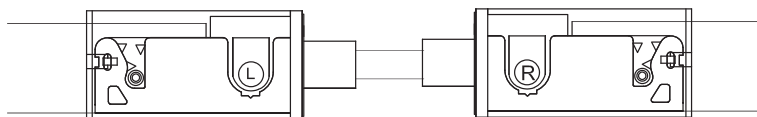
DIY Snap Connector  
DIY-SN-FR-16-D-01/02-A



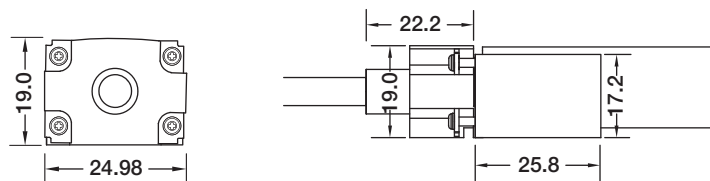
DIY Snap End Cap  
DIY-SN-END-16-D-01/02



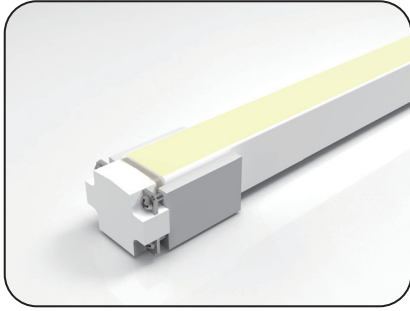
DIY Snap Connector Jumper  
DIY-SN-FR-16-A-D-JC



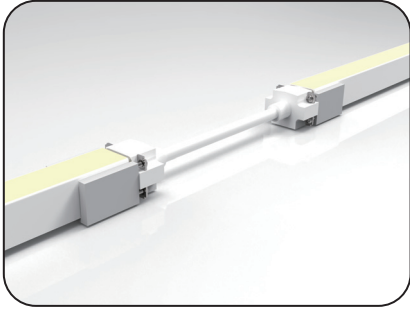
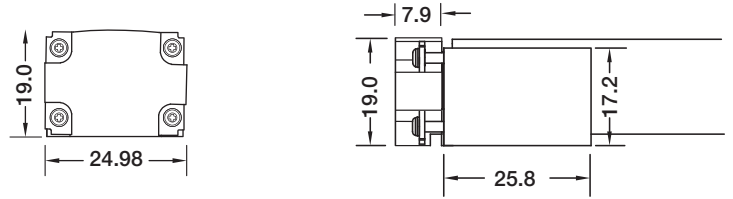
DIY Screw Connector  
DIY-SC-FR-16-D-01/02-A



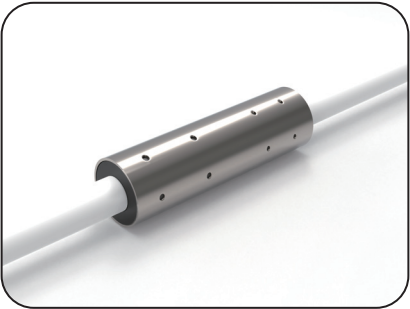
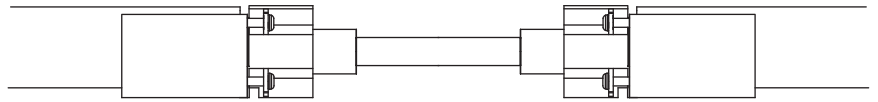
# S16 Configuration and Accessories



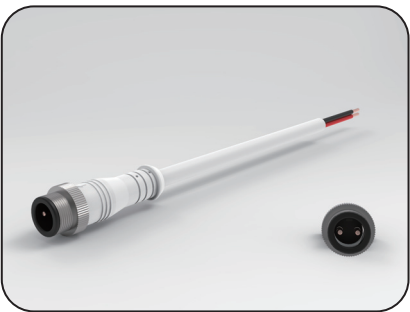
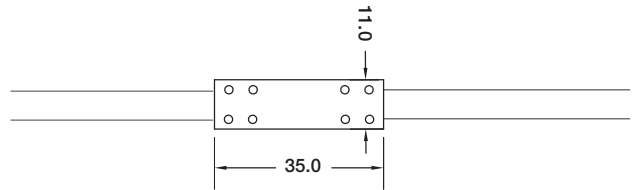
DIY Screw Connector  
DIY-SC-END-16



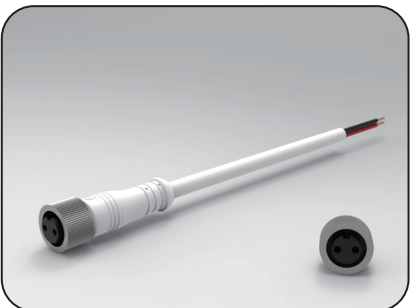
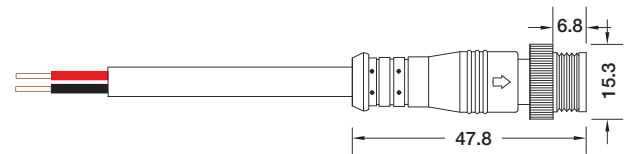
DIY Screw Extension Connector  
DIY-SC-EXT-16-A



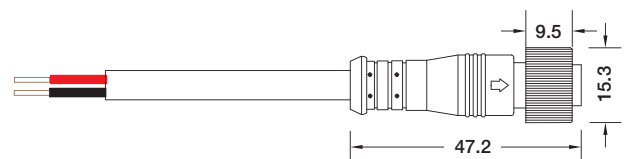
Waterproof Interrupter



Male Connector  
SYZ-M12-M-2C-075-W

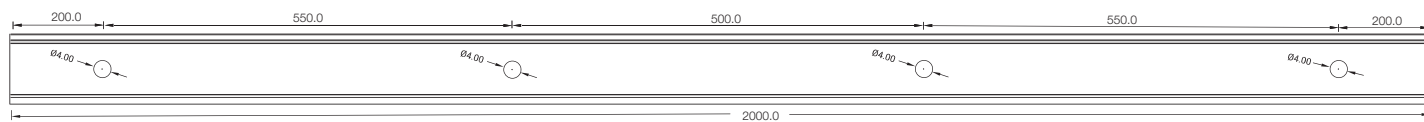
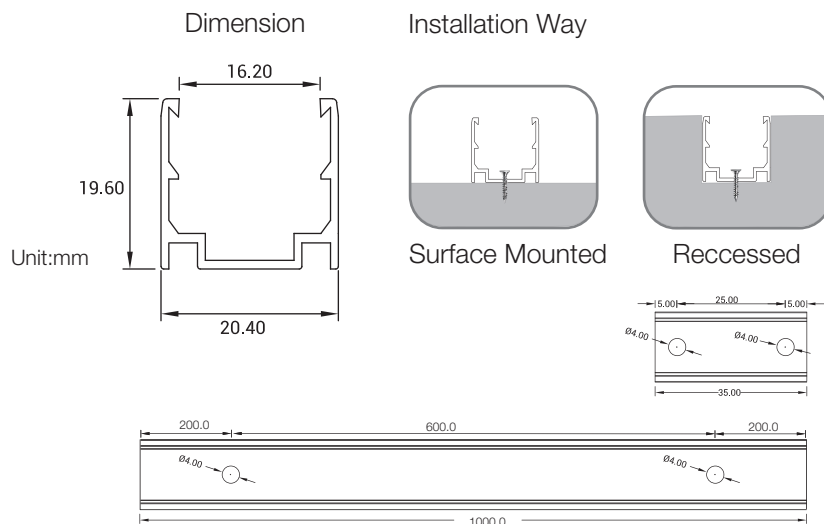
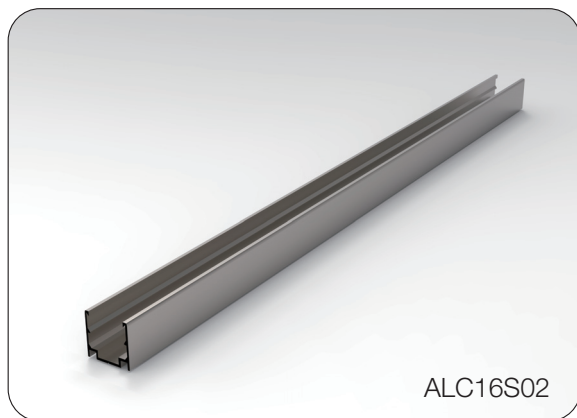


Female Connector  
SYZ-M12-F-2C-075-W

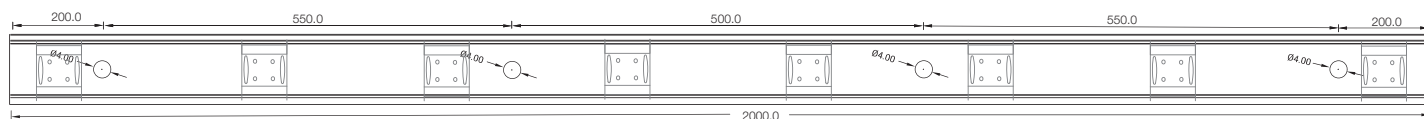
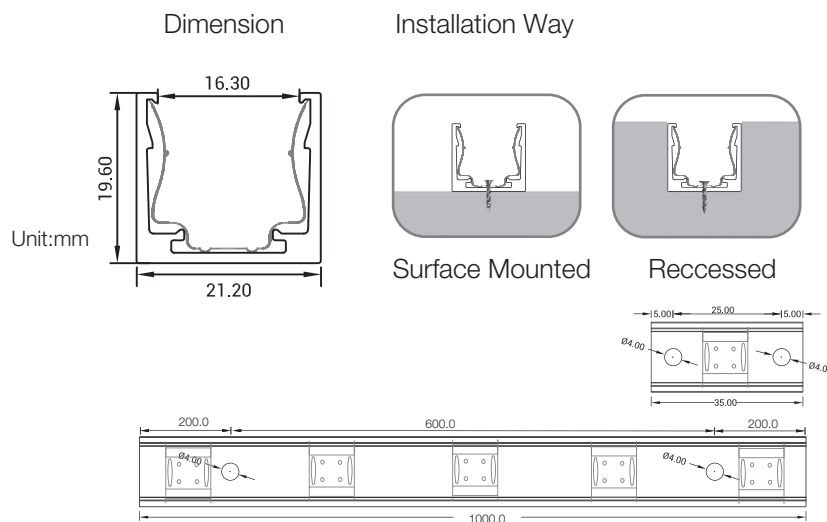
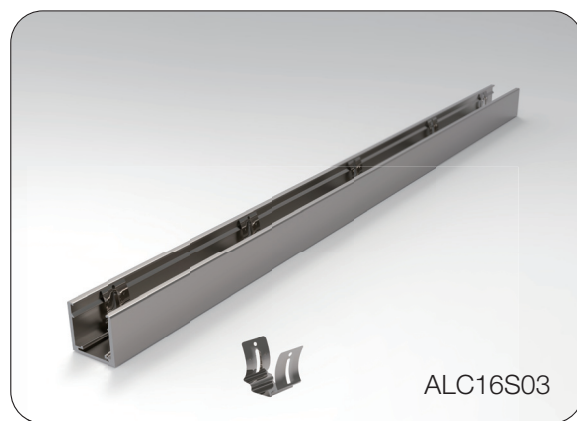


# LED linear Flex Mounting Channel

## 1. Aluminum Channel

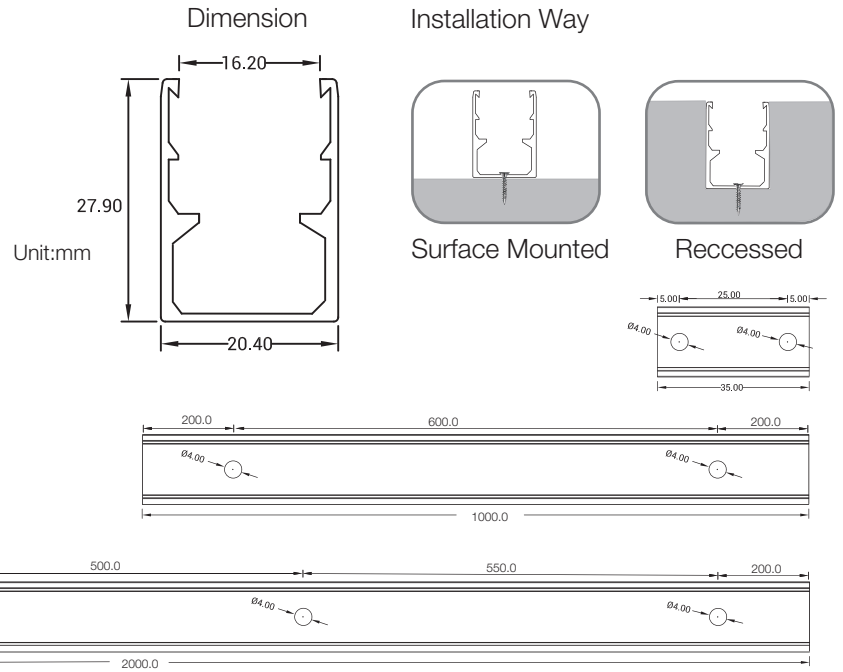
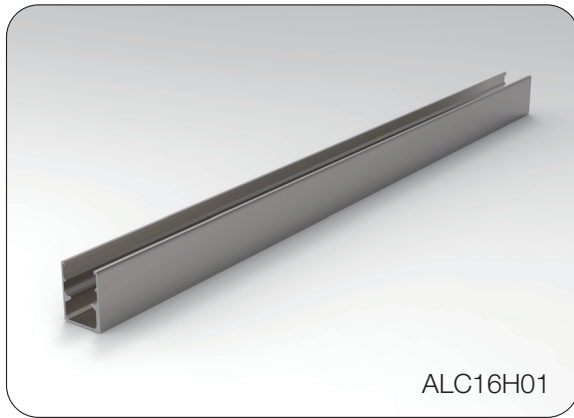


Model	W x H(mm)	Standard Length	Screw Holes	Holes Numbers	Suitable Product
ALC16S02	20.4*19.6	35mm	Φ4.0mm	2	S16, S17, SF16, SF17
		1000mm	Φ4.0mm	2	S16, S17, SF16, SF17
		2000mm	Φ4.0mm	4	S16, S17, SF16, SF17

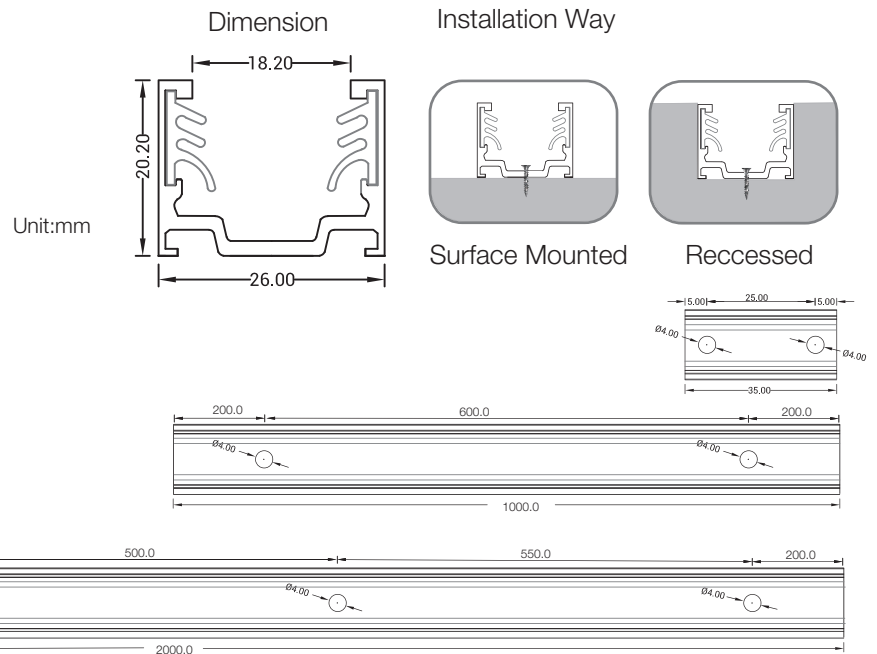


Model	W x H(mm)	Standard Length	Screw Holes	Holes Numbers	Clips	Suitable Product
ALC16S03	21.2*19.6	35mm	Φ4.0mm	2	1	S16, S17, SF16, SF17
		1000mm	Φ4.0mm	2	5	S16, S17, SF16, SF17
		2000mm	Φ4.0mm	4	8	S16, S17, SF16, SF17

# LED linear Flex Mounting Channel



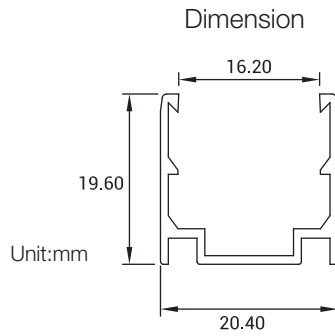
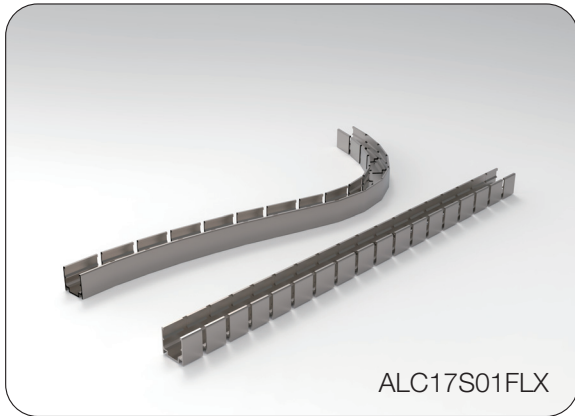
Model	W x H(mm)	Standard Length	Screw Holes	Holes Numbers	Suitable Product
ALC16H01	20.4*27.9	35mm	Ø4.0mm	2	S16, S17, SF16, SF17
		1000mm	Ø4.0mm	2	S16, S17, SF16, SF17
		2000mm	Ø4.0mm	4	S16, S17, SF16, SF17



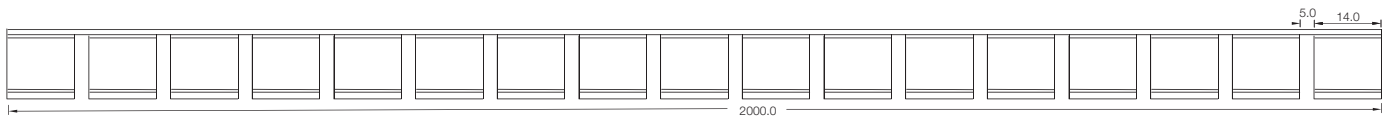
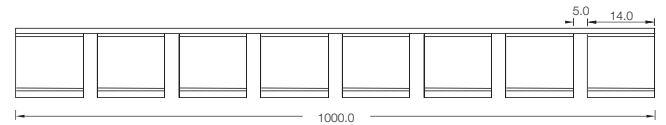
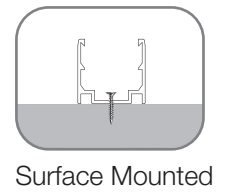
Model	W x H(mm)	Standard Length	Screw Holes	Holes Numbers	Clips	Suitable Product
ALC16S04	26.0*20.2	35mm	Ø4.0mm	2	2	S16, S17, SF16, SF17
		1000mm	Ø4.0mm	2	2	S16, S17, SF16, SF17
		2000mm	Ø4.0mm	4	2	S16, S17, SF16, SF17

# LED linear Flex Mounting Channel

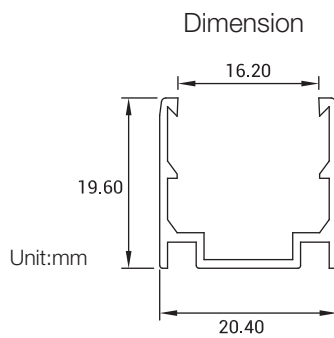
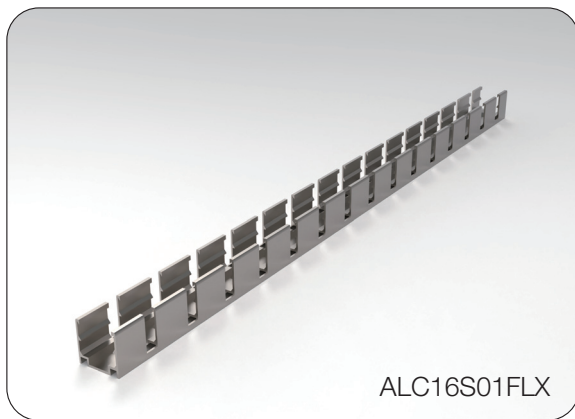
## 2. Flexible Aluminum Channel



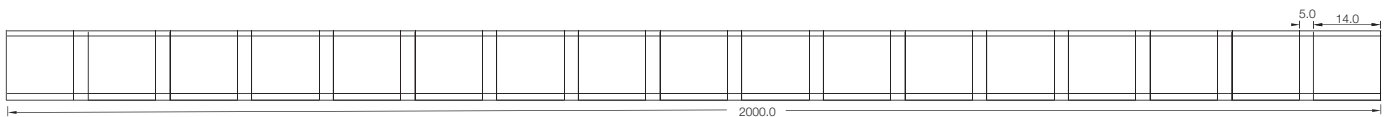
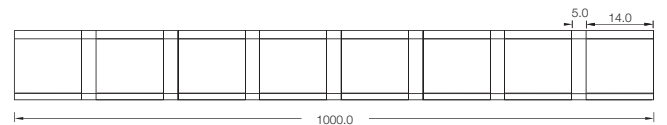
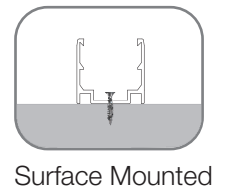
Installation Way



Model	W x H(mm)	Standard Length	Suitable Product
ALC17FLX	20.4*19.6	1000mm	S17, SF17
		2000mm	S17, SF17



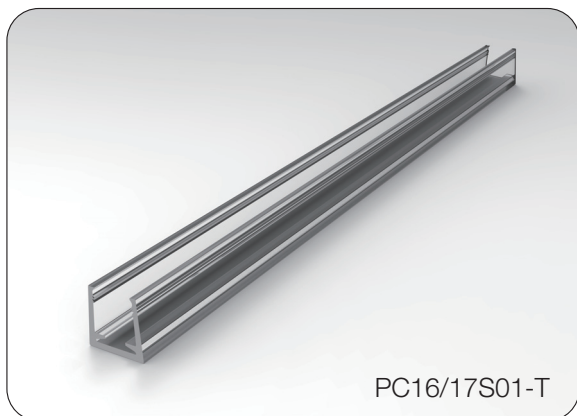
Installation Way



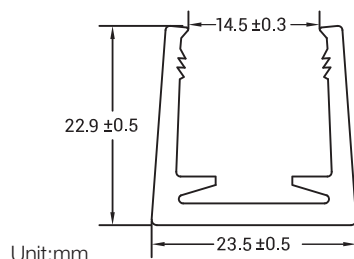
Model	W x H(mm)	Standard Length	Suitable Product
ALC16S01FLX	20.4*19.6	1000mm	S16, SF16
		2000mm	S16, SF16

# LED linear Flex Mounting Channel

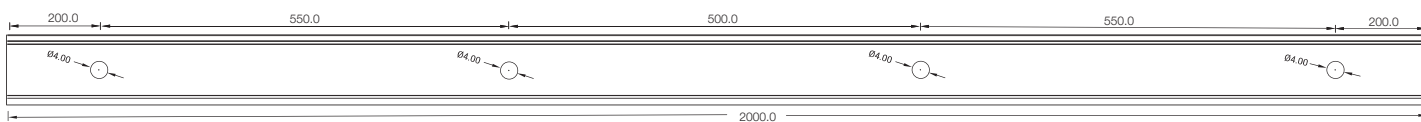
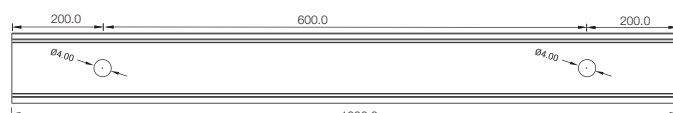
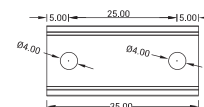
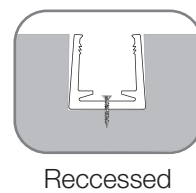
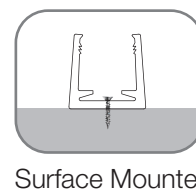
## 3. Plastic Channel



Dimension



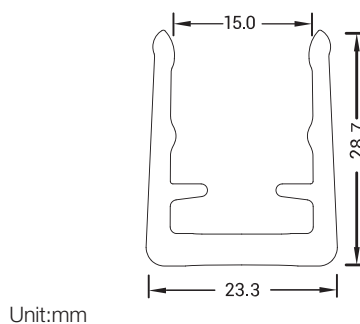
Installation Way



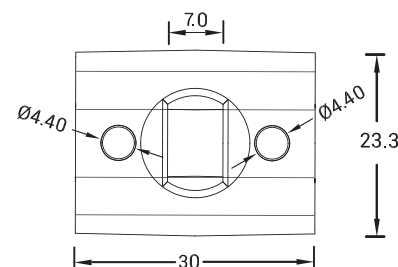
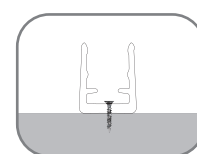
Model	W x H(mm)	Standard Length	Screw Holes	Holes Numbers	Suitable Product
PC16/17S01-T	24.6*22.9	1000mm	Ø4.0mm	2	S16, S17, SF16, SF17
		2000mm	Ø4.0mm	4	S16, S17, SF16, SF17



Dimension

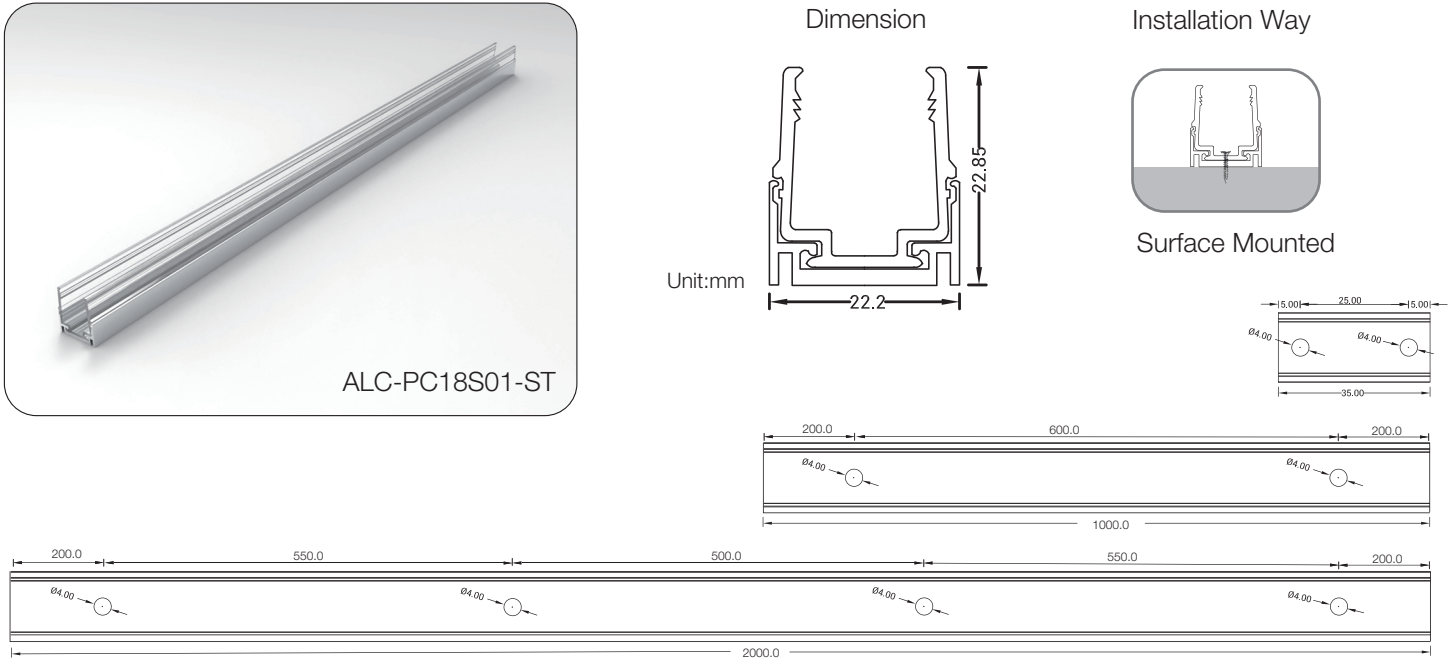
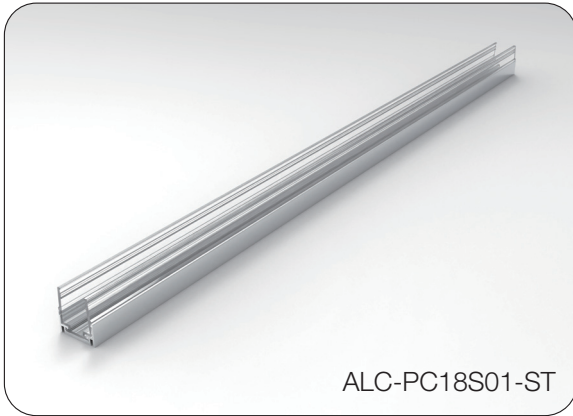


Installation Way



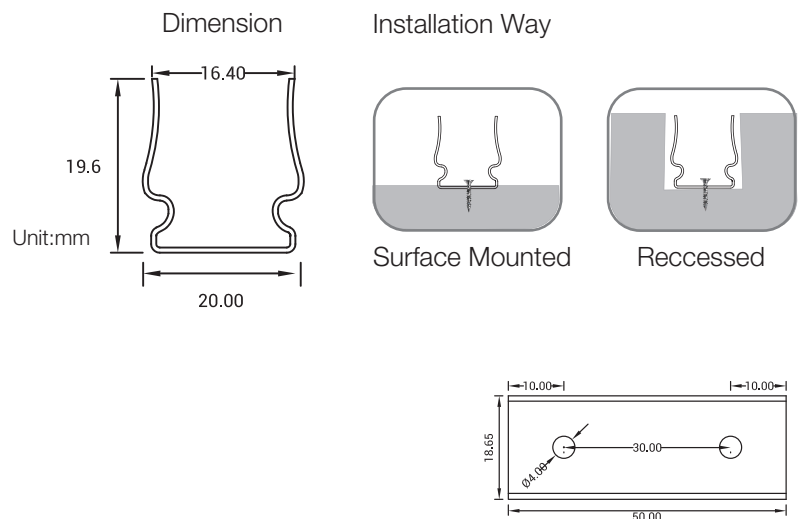
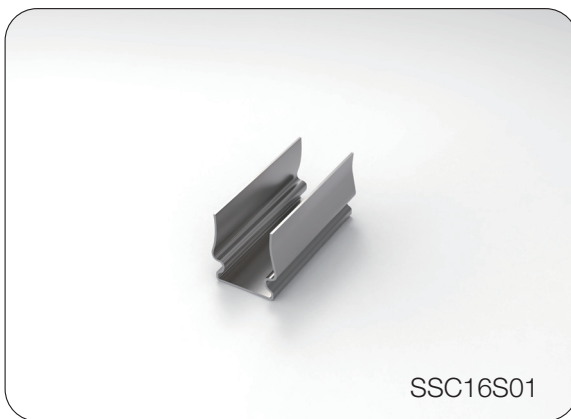
Model	W x H(mm)	Standard Length	Screw Holes	Holes Numbers	Suitable Product
SJJ-ZSH-008-PC	23.3*28.7	30mm	Ø4.40mm	2	S16, S17, S18, SF16, SF17, SF18

# LED linear Flex Mounting Channel



Model	W x H(mm)	Standard Length	Screw Holes	Holes Numbers	Suitable Product
ALC-PC18S01-ST	22.2*22.85	35mm	Φ4.0mm	2	S16, S17, S18, SF16, SF17, SF18
		1000mm	Φ4.0mm	2	S16, S17, S18, SF16, SF17, SF18
		2000mm	Φ4.0mm	4	S16, S17, S18, SF16, SF17, SF18

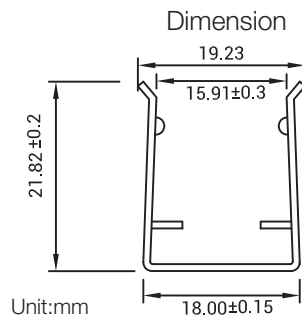
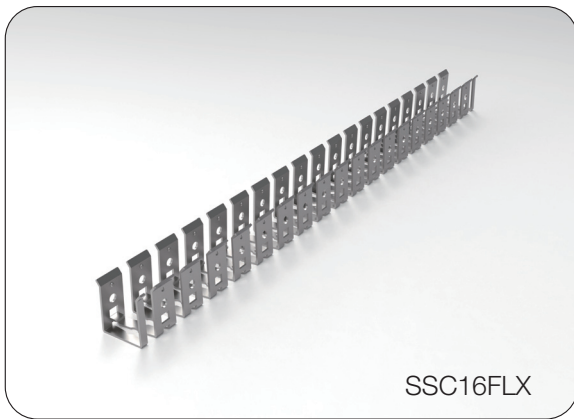
## 4. Stainless Steel Channel



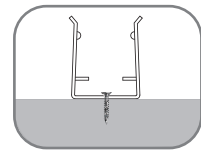
Model	W x H(mm)	Standard Length	Screw Holes	Holes Numbers	Suitable Product
SSC16S01	20.0*19.6	50mm	Φ4.0mm	2	S16, SF16, S17, SF17



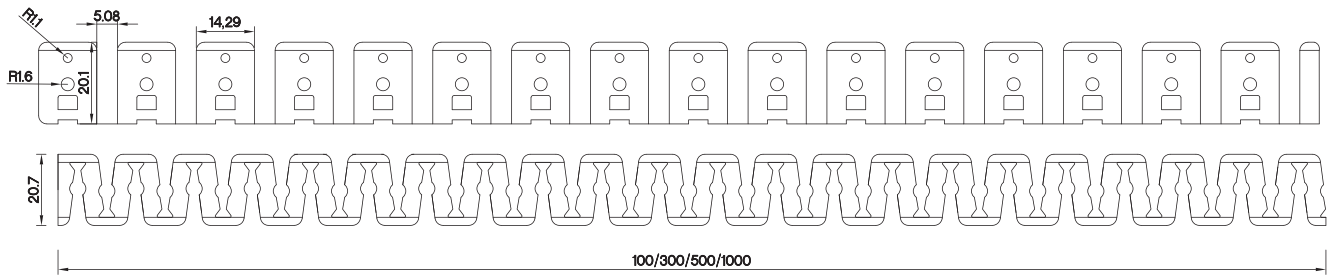
# LED linear Flex Mounting Channel



Installation Way



Surface Mounted



Model	W x H(mm)	Standard Length	Suitable Product
SSC16FLX	18.15*22.0	100mm	S16, S17, SF16, SF17
		300mm	S16, S17, SF16, SF17
		500mm	S16, S17, SF16, SF17
		500mm	S16, S17, SF16, SF17

# LED linear Flex Packing Details



Standard: Carton ( Paper Reel Inside)

Product	Max.Length	Carton Size	Net Weight	Gross Weight
F15/SF15	30m	34*34*18cm	12kg	13.6kg
F16/SF16	20m	34*34*18cm	8.6kg	10.2kg
F17/SF17	20m	34*34*18cm	8.6kg	10.2kg
F18/SF18	20m	34*34*18cm	8.6kg	10.2kg
F21/SF21	20m	34*34*18cm	10.4kg	12.0kg
F10/SF10	30m	34*34*18cm	9.6kg	11.2kg
F09/SF09	35m	34*34*18cm	5.8kg	7.4kg
F08/SF08	30m	34*34*18cm	7.2kg	8.8kg
F06/SF06	30m	34*34*18cm	7.2kg	8.8kg



Custom: Carton ( White Box+ Plastic Plate Inside)

Product	Package 1 Dimension	Length	Gross Weight	Package 2 Dimension	Length	Gross Weight
F15/SF15	38*38*3cm	5m	2.5kg	45*55*3cm	10m	5kg
F16/SF16	38*38*3cm	5m	2.6kg	51*61*4cm	10m	5.2kg
F17/SF17	38*38*3cm	5m	2.6kg	51*61*4cm	10m	5.2kg
F18/SF18	38*38*3cm	5m	2.6kg	51*61*4cm	10m	5.2kg
F21/SF21	38*38*3cm	5m	3.1kg	51*61*4cm	10m	6.2kg
F10/SF10	38*38*3cm	5m	2.0kg	45*55*3cm	10m	4kg
F09/SF09	38*38*3cm	5m	1.5kg	45*55*3cm	10m	3kg
F08/SF08	38*38*3cm	5m	1.5kg	45*55*3cm	10m	3kg
F06/SF06	38*38*3cm	5m	1.5kg	45*55*3cm	10m	3kg