







# **S15 DMX Pixel Chasing Neon Flex**

## **Specification**

## Dimension

-  Gross weight:  
0.4kg/m
-  Controlled:  
DMX controller
-  Installation Temp.:  
0°C to +55°C
-  Ambient Temp.:  
-25°C to +55°C
-  Min. Bending :  
80mm
-  Beam Angle :  
120 degree



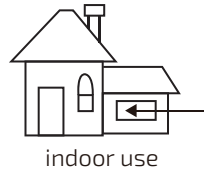
Eco-friendly PVC or Silicone Housing material optional

## Features

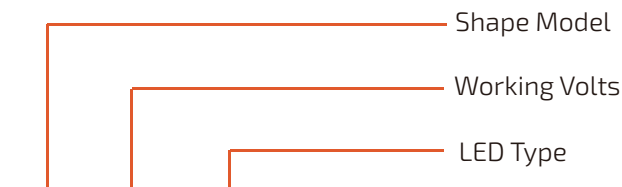
- Uniform and even light output
- Flat surface with 120 degree beam angle
- 56LEDs or 70LEDs optional, UCS512B3, RS485 IC built in
- Connect with DMX512 signal controller
- Full encapsulated with IP68 Level
- High Reliability
- 3 or 5 Years warranty

## Applications

- Building facade, outline
- Cove lighting
- Sign and advertising lighting
- Linear lighting
- Additional lighting
- Decorative lighting



## Model Encoding



S15-24V-5050-56-DMX-RGB



**MJ**   **D4**   **S02SM**  
 MJ-15-D4-S02SM  
 1   2   3 4 5

- 1** Mold injection
- 2** Pixel chasing RGB
- 3** Connector entry type
- 4** Connector direction
- 5** Cable connector type

- 01----- right
- 02-----left
- 03-----double
- SM----- male connetor cable
- SF-----female connector cable
- SMF-----male & female connector cable
- S----- Side entry
- D-----Direct entry
- B-----Bottom entry

[For more information](#)

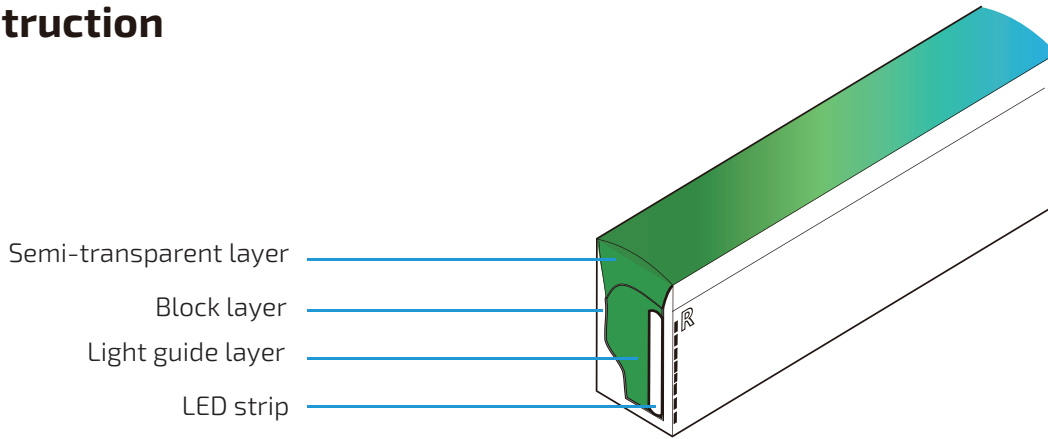
Email: [sales@tested.com](mailto:sales@tested.com)

Or visit [www.tesled.com](http://www.tesled.com)

## Technical Specification

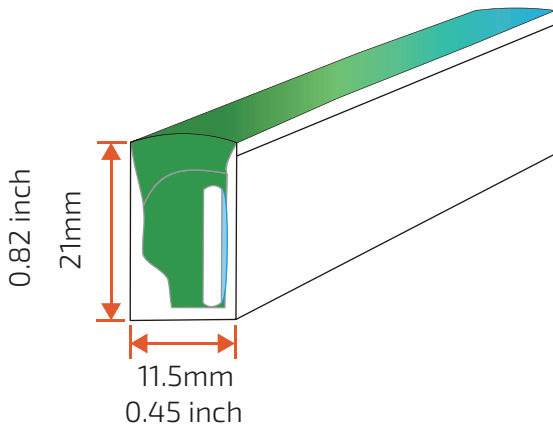
Model	S15-24V-5050-56-DMX- RGB	S15-24V-5050-70-DMX- RGB	S15-24V-5050-70-DMX- RGBW
Operating voltage	24V	24V	24V
Power consumption	12W/M	15W/M, 10W(DW)	18W/M
Working Mode	DMX(UCS512B3)	DMX(RS485)	DMX(RS485)
LED type	SMD5050	SMD5050	SMD5050
LED Quantity	56 pcs/m	70 pcs/m	70 pcs/m
Available Color	RGB/3000K/DW	RGB/3000K/DW	RGBW (2200K/3000K/4000K)
Min. cutting Unit	7 LEDs	7 LEDs	7 LEDs
Min. cutting length	12.5cm	10cm	10cm
Pixels Qty/m	8 Pixels	10 Pixels	10 Pixels
Max. length single feed	7m	8m	8m
Max. length double feed	14m	16m	16m
Number of wire cores	4 wires	5 wires	5 wires
Bending direction	Horizontally		
Lumen maintenance	70 000 Hours L70 25°C , 50 000 Hours L70 50°C		
Housing material	Eco PVC or Silicone		
Installation temperature	0°C to -55°C		
Ambient temperature	-25°C to +55°C		
Ingress protection	IP68 wet location submersible* to 2m		
Warranty	3 years as standard, 5 years warranty maximum		

## Construction

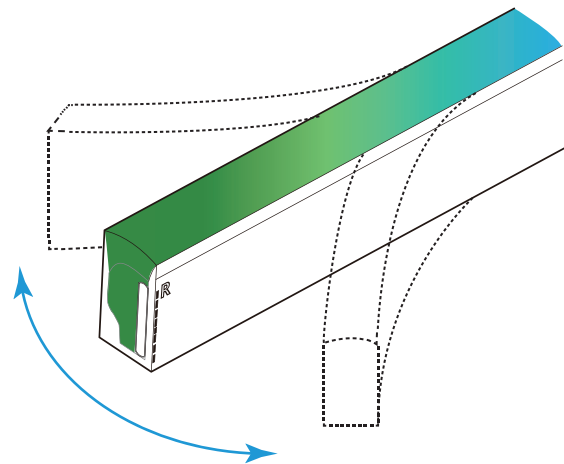


## Physical Specification

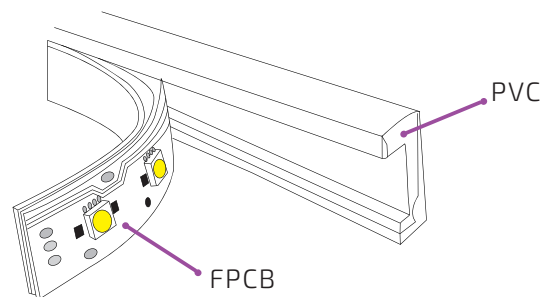
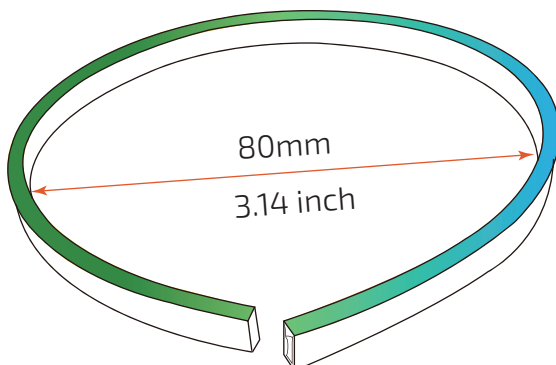
Light profile



Bending direction



Min. bending diameter



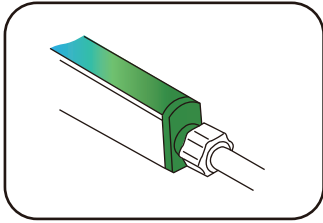
For more information

Email: [sales@tested.com](mailto:sales@tested.com)

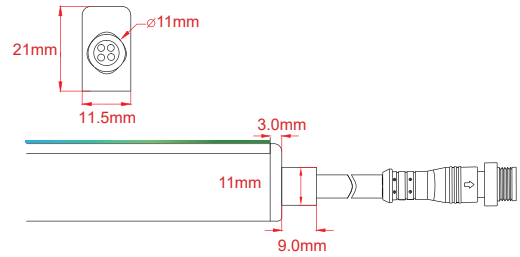
Or visit [www.tesled.com](http://www.tesled.com)

## Mold injection connector

(IP68 Factory Assembly only)

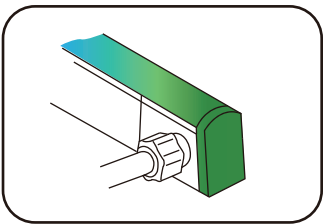
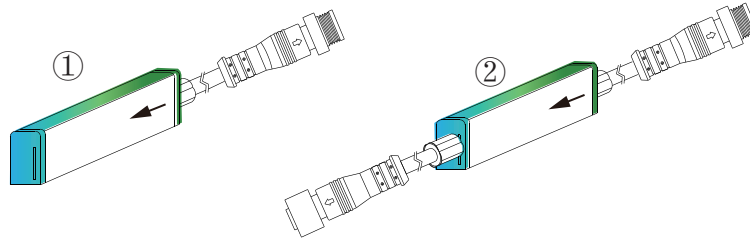


- ① MJ-15-D4-D02SM  
MJ-15-D5-D02SM
- ② MJ-15-D4-D03SFM  
MJ-15-D5-D03SFM

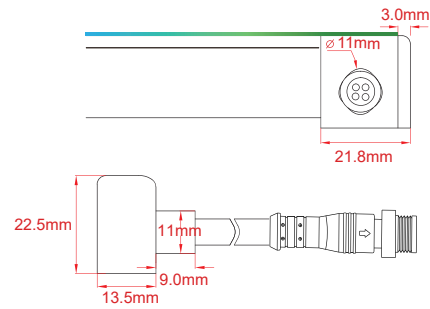


Direct entry Connector

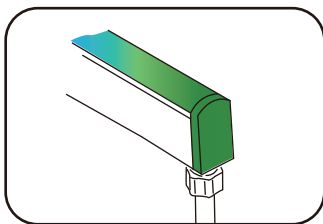
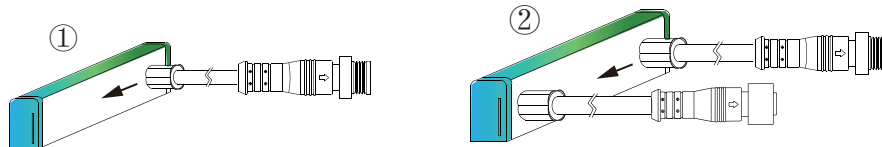
D4 : 4 of wire cores  
D5 : 5 of wire cores



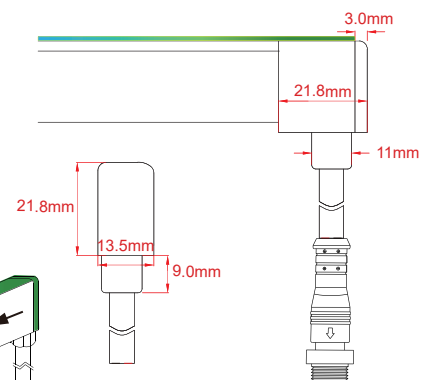
- ① MJ-15-D4-S02SM  
MJ-15-D5-S02SM
- ② MJ-15-D4-S03SFM  
MJ-15-D5-S03SFM



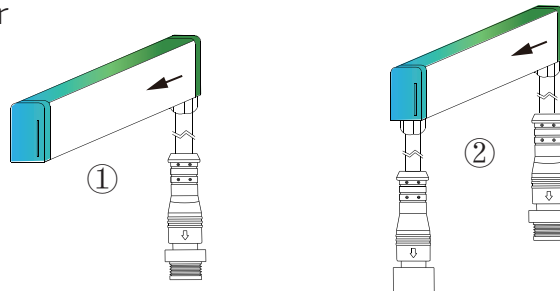
Side entry Connector



- ① MJ-15-D4-B02SM  
MJ-15-D5-B02SM
- ② MJ-15-D4-B03SFM  
MJ-15-D5-B03SFM



Bottom entry Connector



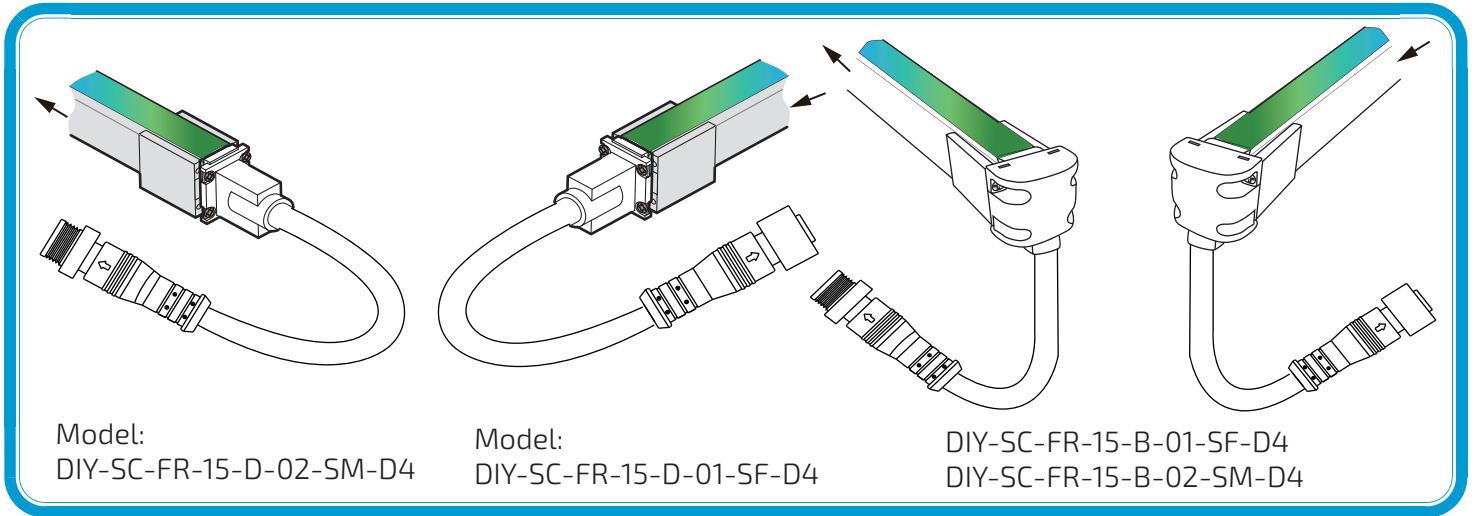
For more information

Email: [sales@tested.com](mailto:sales@tested.com)

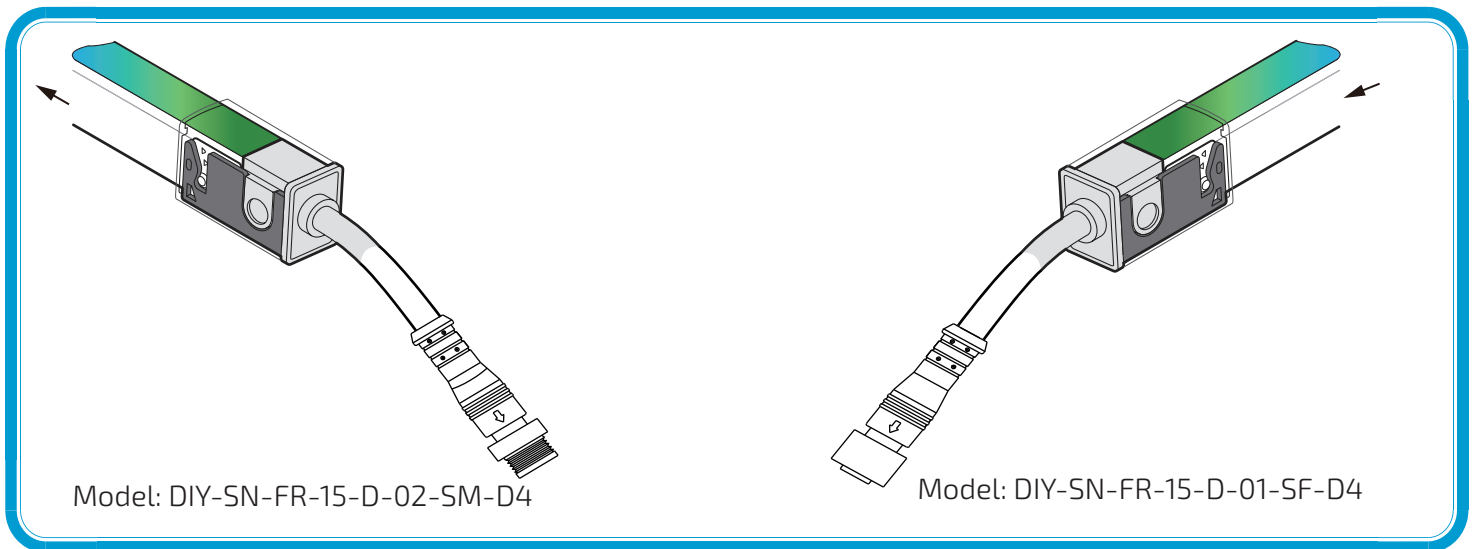
Or visit [www.tesled.com](http://www.tesled.com)

## DIY Screw & Snap Connector Kit (IP67 Only)

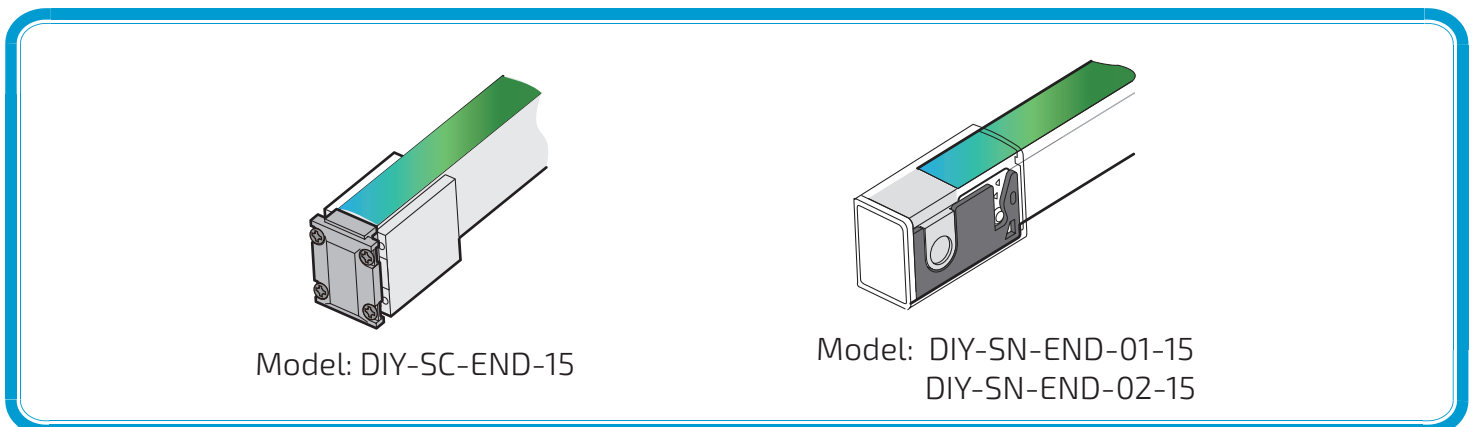
DIY screw front connector (Only suit for Model of S15-24V-5050-56-DMX-RGB )



DIY snap front connector (Only suit for Model of S15-24V-5050-56-DMX-RGB )



DIY snap & screw end cap kit



For more information

Email: [sales@tested.com](mailto:sales@tested.com)

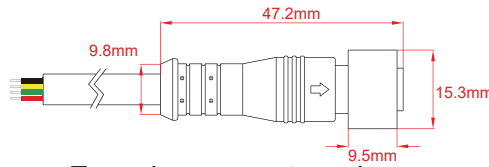
Or visit [www.tesled.com](http://www.tesled.com)

## Other Accessories

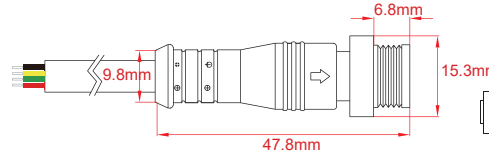
Female & Male Connector



Suit for Model of  
S15-24V-5050-56-DMX-RGB

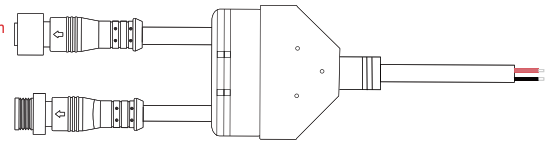


**Female connector wire**  
SYZ-M12-F-4C-05-W

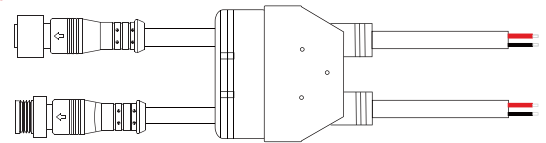


**Male connector wire**  
SYZ-M12-M-4C-05-W

Middle power connector



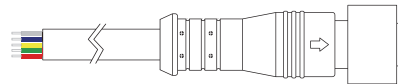
MID-CNR-512B3-1T2



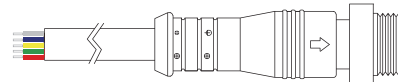
MID-CNR-512B3--2T2



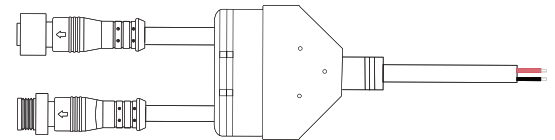
Suit for Model of  
S15-24V-5050-70-DMX-RGB  
S15-24V-5050-70-DMX-RGBW



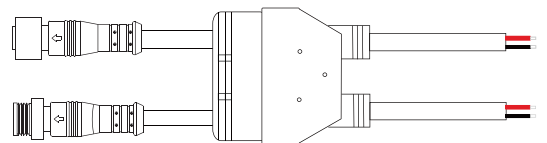
**Female connector wire**  
SYZ-M12-F-5C-05-W



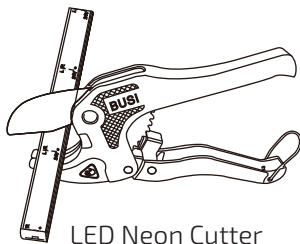
**Male connector wire**  
SYZ-M12-M-5C-05-W



MID-CNR-512C3-1T2



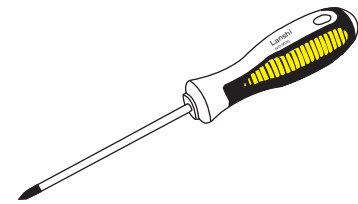
MID-CNR-512C3--2T2



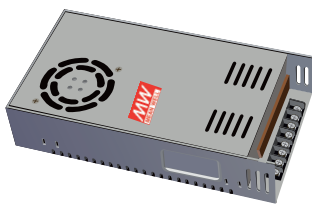
LED Neon Cutter  
ACC-TOOL-C1



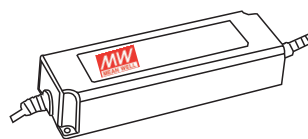
Silicone Rubber  
K-5905



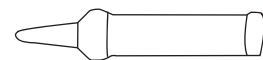
Screwdriver  
ACC-TOOL-C2



Mean Well Transformer  
Non-waterproof Series



Mean Well Transformer  
Waterproof Series



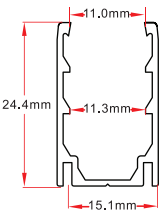
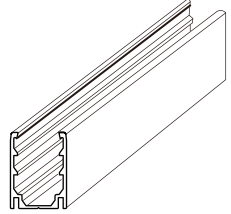
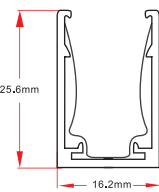
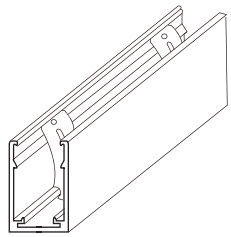
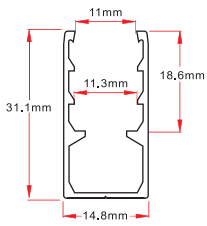
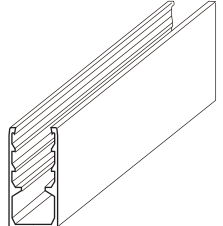
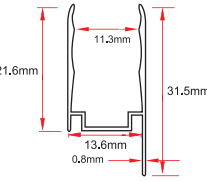
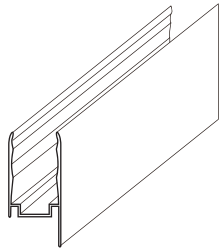
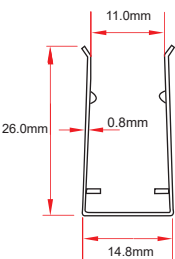
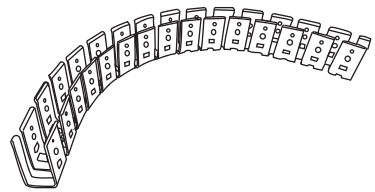
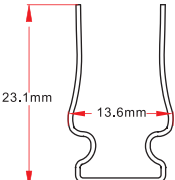
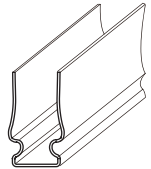
Assistant Tool  
ACC-TOOL-C3

[For more information](#)

Email: [sales@tested.com](mailto:sales@tested.com)

Or visit [www.tesled.com](http://www.tesled.com)

## Mounting Channel

Model	Description	Dimension	Drawing
ALC15S01	Use for : S15 & S21 Length option: 1m, 2m, 35mm Material: Aluminum alloy Optional color: AS/AB/PW Type: Standard		
ALC15S02	Use for : S15 & S21 Length option: 1m, 2m, 35mm Material: Aluminum alloy Optional color: AS/AB/PW Type: Anti-drop for upside down installation		
ALC15H01	Use for : S15 & S21 Length option: 1m, 2m, 35mm Material: Aluminum alloy Optional color: AS/AB/PW Type: Cable hiding		
ALC15V01	Use for : S15 & S21 Length option: 1m, 2m, 35mm Material: Aluminum alloy Optional color: AS/AB/PW Type: Vertical installation		
SSC15FLX	Use for : S15 & S21 Length option: 10cm, 30cm, 50cm, 100cm Material: Stainless steel Optional color: Polished Type: Flexible		
SSC15S01	Use for : S15 & S21 Length option: 5cm Material: Stainless steel Optional color: Natural color Type: 316 stainless steel		

For more information

Email: [sales@tested.com](mailto:sales@tested.com)

Or visit [www.tesled.com](http://www.tesled.com)



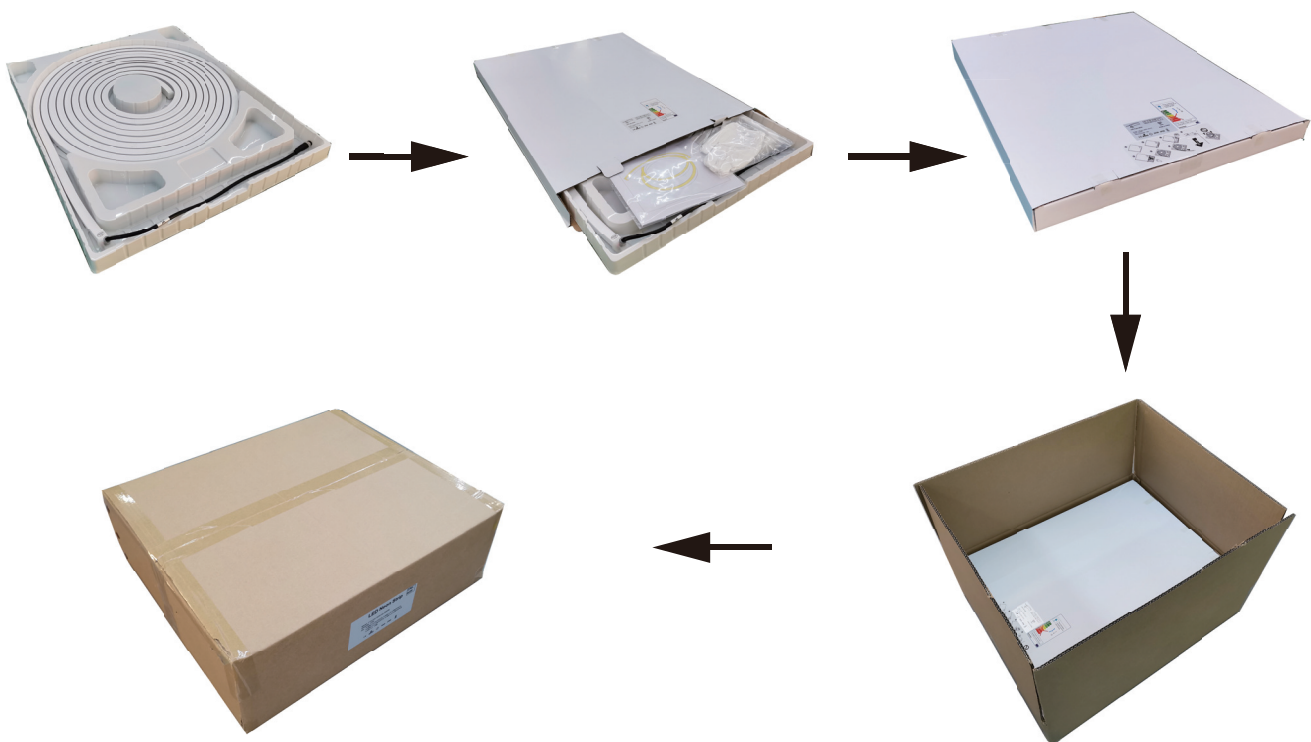
## Packing

Standard: Carton ( Paper reel inside)



Fixture Length	Paper Reel	Carton Dimension	Gross Weight
787.4in(20m)	D12.99*H6.18in(33*15.7cm)	33*33*18cm	17.63 lbs ( 8 kg )
787.4in(30m)	D12.99*H6.18in(33*15.7cm)	33*33*18cm	26.45 lbs ( 12 kg )

Custom: Carton ( White box+plastic plate inside)



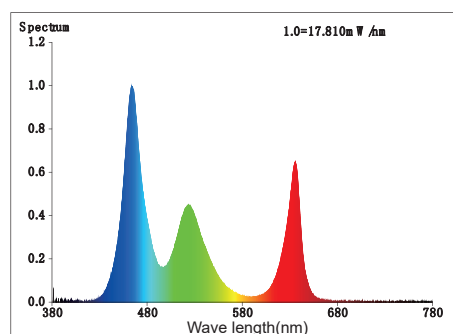
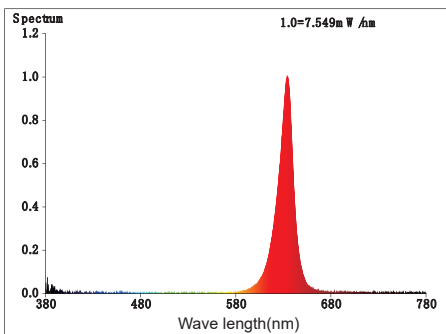
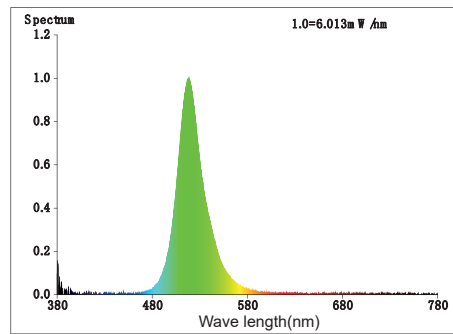
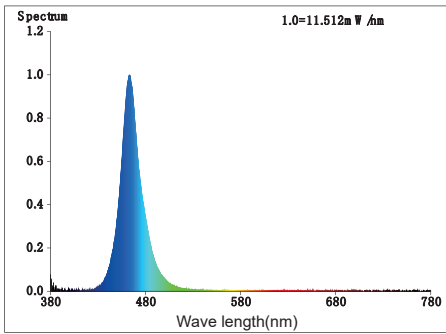
Fixture Length	White box Dimension	Carton Dimension	White box Quantity	Gross Weight
196.85in(5m)	13.78*1.65*18.11in(38*3*38 cm)	41*41*16cm	Max 4pcs	17.63 lbs ( 8 kg )
393.7in(10m)	21.6*1.38*18.9in(55*3.5*48cm)	57*49*19cm	Max 5pcs	44.09 lbs ( 20 kg )

[For more information](#)

Email: [sales@tested.com](mailto:sales@tested.com)

Or visit [www.tesled.com](http://www.tesled.com)

## Testing



1. Please note it is under normal range if there is 20-30% yellowing of PVC housing material when the product is used under direct sunlight or long-term high temperature & wet environment in 3 years.
2. About the tolerance range of optical parameters (luminance, CCT, Watt, RA) for all product, the volume is plus and minus 10% fluctuation referring to IEC Standard.
3. It's normal for the tolerance range in total length, it occurs from the different production technology, environmental temperature and installation. the volume would be 0.1-5M±7mm, 5.1-10M±15mm, 10.1-20M±30mm.

## Loading Chart

### Power supply

Rated power	35W	60W	75W	80W	100W	120W	150W	185W	240W	320W
12W	2m	4m	5m	6m	7.5m	8m	10m	12.3m	16m	20m
15W	1.5m	3m	4m	4.3m	5m	6m	6.5m	9.5m	12.5m	17m
18W	1.5m	2.5m	3m	3.5m	4m	5m	6m	8m	10.5m	14m

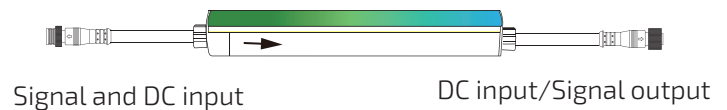
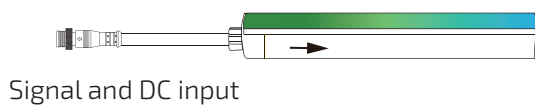
Single Feed

Double Feed

Lead Type

02 Left end

02 left end



Note: These are the max recommended run lengths based on power supply, the signal transfer from the left end. For example: It is recommended to use one 80W power supply for a single-feed run of 6m at 12W/m.

## Recommendation of extension wire

Maximum extension wire length according to Light power

Watts of light	22AWG 0.34mm <sup>2</sup>	20AWG 0.53mm <sup>2</sup>	18AWG 0.82mm <sup>2</sup>	17AWG 1.04mm <sup>2</sup>	16AWG 1.38mm <sup>2</sup>	14AWG 2.07mm <sup>2</sup>	12AWG 3.29mm <sup>2</sup>	10AWG 5.62mm <sup>2</sup>
10W	36m	60m	100m	120m	140m	240m	400m	600m
20W	18m	30m	50m	60m	70m	120m	200m	300m
30W	12m	20m	30m	38m	45m	80m	130m	200m
40W	8m	15m	22m	28m	35m	60m	95m	140m
50W	6m	12m	18m	22m	28m	48m	75m	105m
60W	5m	10m	15m	18m	22m	36m	60m	88m
70W	/	8m	12m	14m	18m	30m	50m	72m
80W	/	6m	10m	11m	14m	24m	40m	58m
90W	/	4m	7m	8m	10m	18m	30m	45m
100W	/	/	5m	6m	7m	12m	22m	32m
110W	/	/	3m	4m	5m	8m	15m	22m
120W	/	/	2m	2.5m	3m	0m	8m	12m

Note:

1. The values doesn't include the 0.6m cable connected to the front connector.

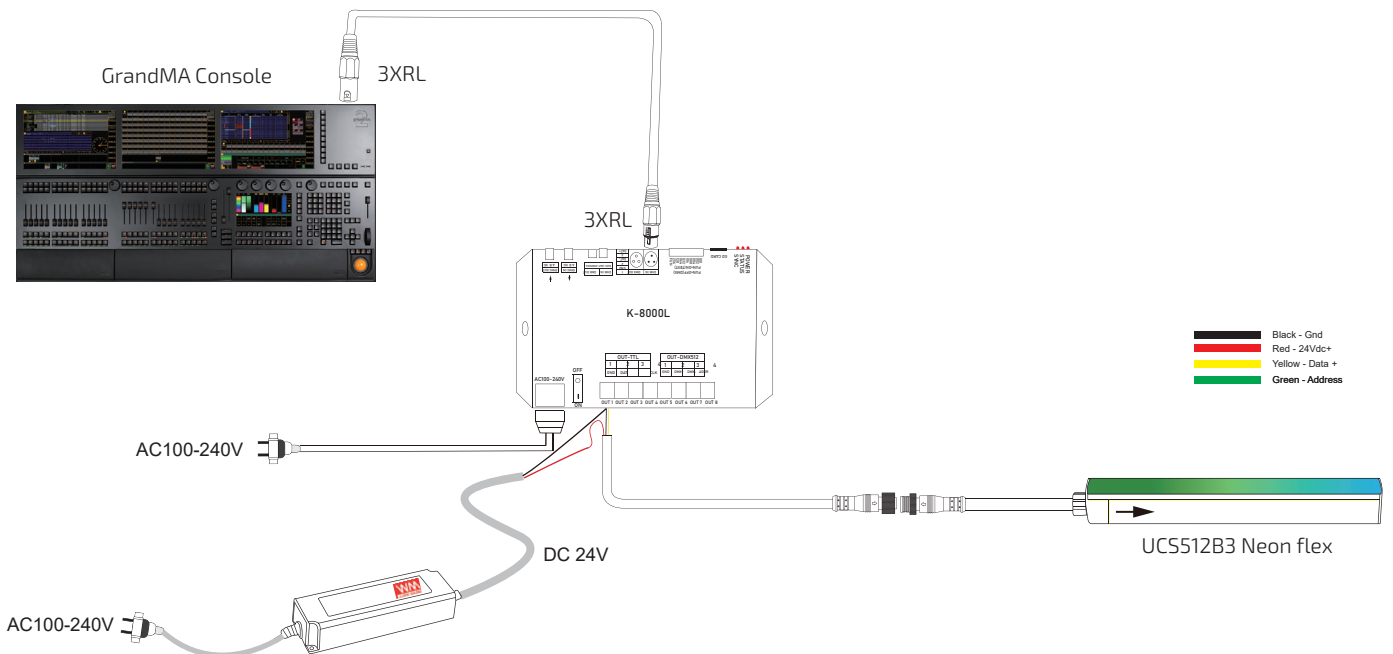
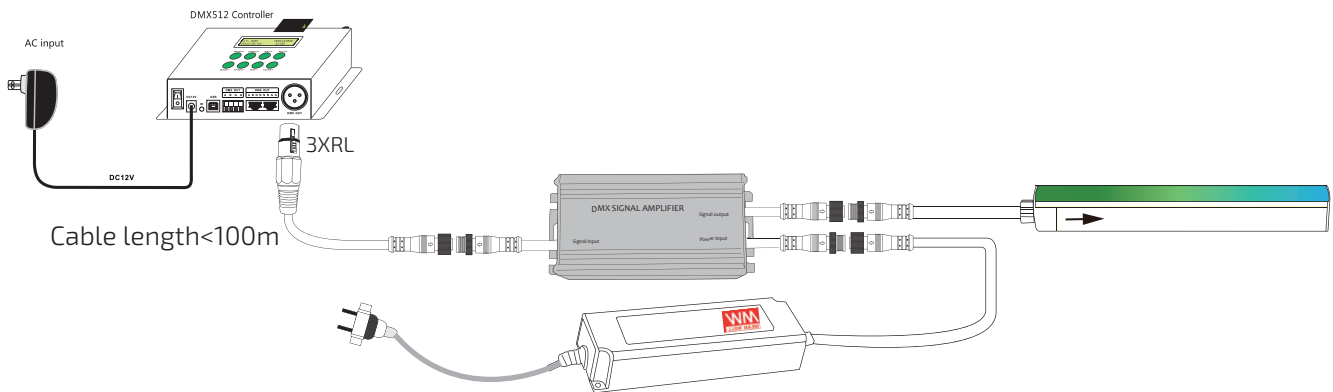
2. To ensure the reliability of wire connection and avoid problem of voltage drop, the extension wire length should be smaller than the above recommended values.

[For more information](#)

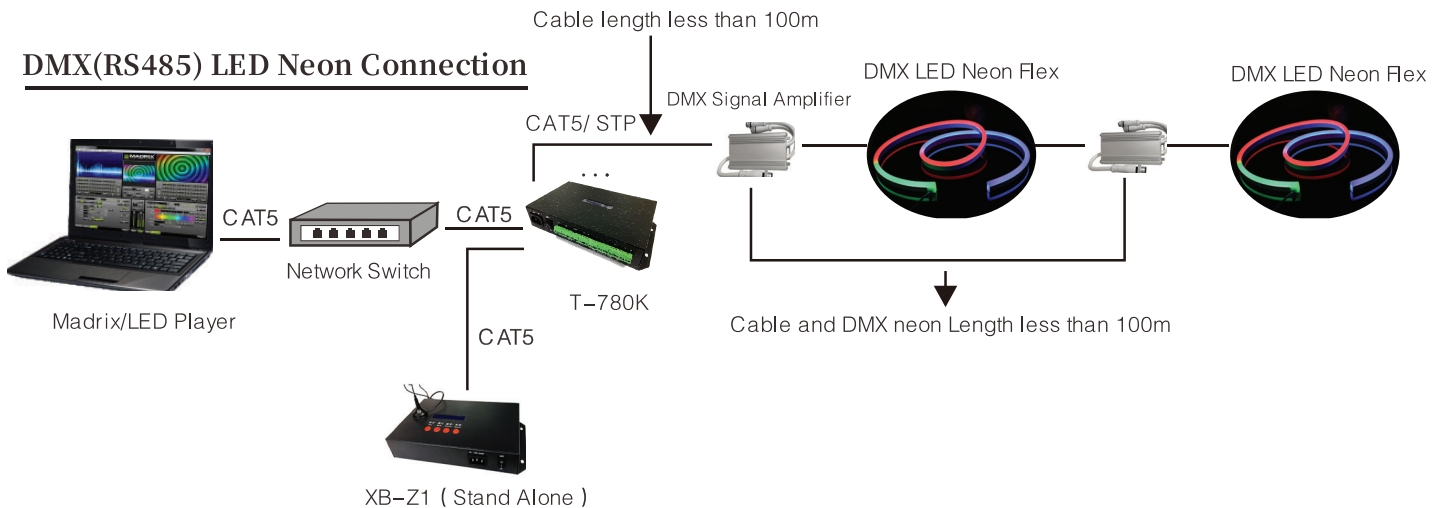
Email: [sales@tested.com](mailto:sales@tested.com)

Or visit [www.tesled.com](http://www.tesled.com)

## Connection Diagram



## DMX(RS485) LED Neon Connection



For more information

Email: [sales@tested.com](mailto:sales@tested.com)

Or visit [www.tesled.com](http://www.tesled.com)