





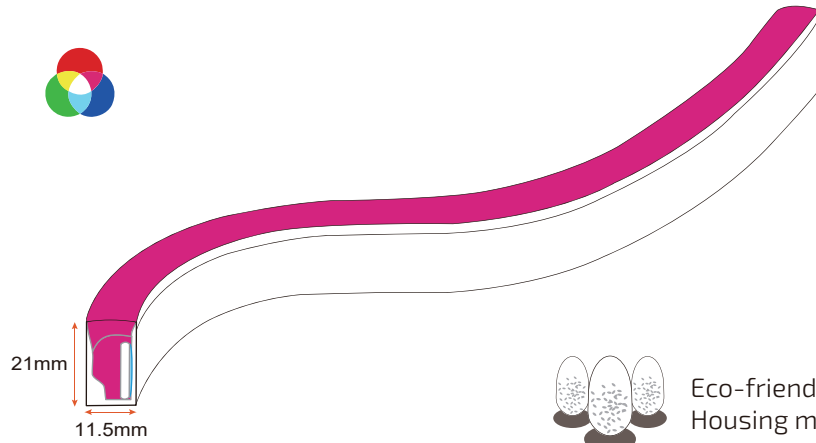


S15 Multi color RGB Neon Flex

Specification

Dimension

-  Gross weight:
0.4kg/m
-  Dimmable:
DALI, 0-10V, DMX, Triac
-  Installation Temp.:
0°C to +55°C
-  Ambient Temp.:
-25°C to +55°C
-  Min. Bending :
80mm
-  Beam Angle :
120 degree



Eco-friendly PVC or Silicone Housing material optional

Features

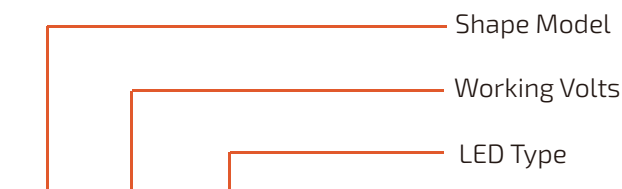
- Uniform and even light output
- Flat surface with 120 degree beam angle
- 60LEDs or 72LEDs, 24V or 48V optional
- Dimmable with Dali, 0/1-10, DMX, PWM
- Full encapsulated with IP68 Level
- High Reliability
- 3 or 5 Years warranty

Applications

- Building facade, outline
- Cove lighting
- Sign and advertising lighting
- Linear lighting
- Additional lighting
- Decorative lighting



Model Encoding



S15-24V-5050-60-12W-RGB



MJ **RGB** **S01SM**
MJ-15-RGB-S01SM
1 2 3 4 5

- 1** Mold injection
- 2** Multi color RGB
- 3** Connector entry type
- 4** Connector direction
- 5** Cable connector type

- 01----- right
- 02-----left
- 03-----double
- SM----- male connetor cable
- SF-----female connector cable
- SMF-----male & female connector cable
- Blank-----bare wire
- S----- Side entry
- D-----Direct entry
- B-----Bottom entry

[For more information](#)

Email: sales@tested.com

Or visit www.tesled.com

Technical Specification

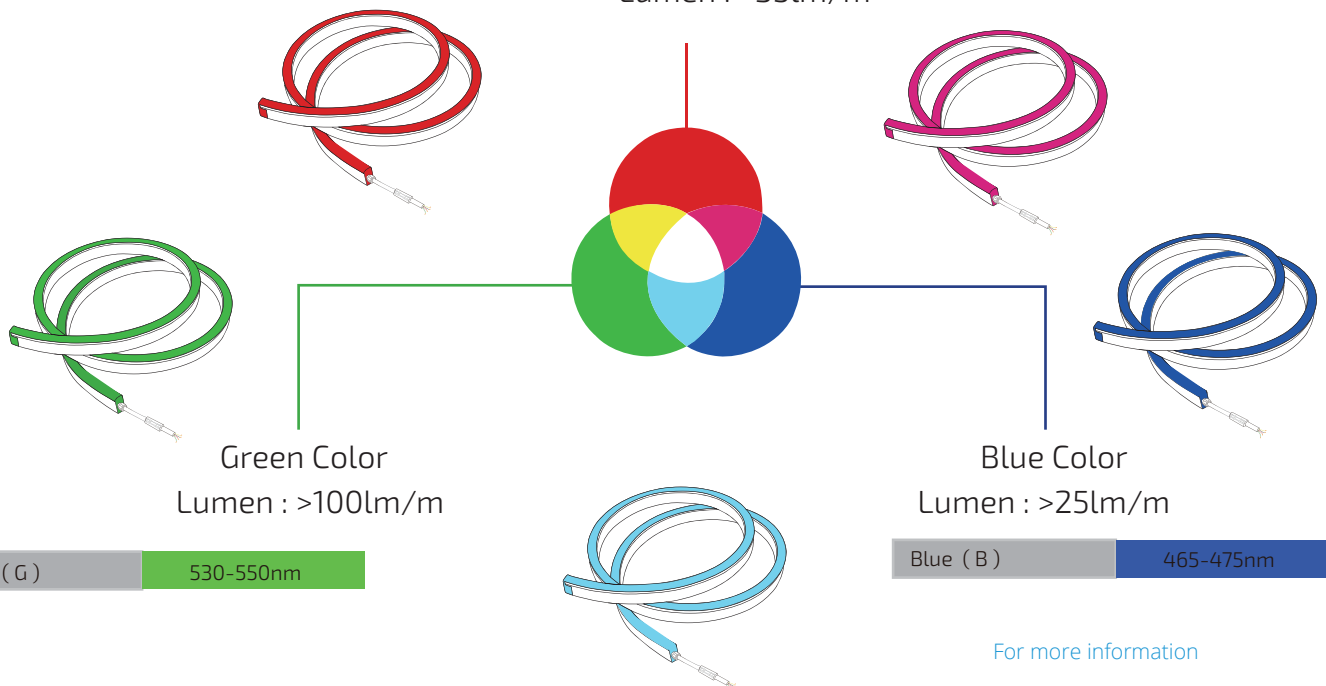
Model	S15-24V-5050-60-RGB	S15-24V-5050-72-RGB	S15-48V-5050-60-RGB
Operating voltage	24V	24V	48V
Power consumption	12W/M	13W/M	12W/M
Working Mode	PWM CV	PWM CV	PWM CV
LED type	SMD5050	SMD5050	SMD5050
LED Quantity	60 pcs/m	72 pcs/m	60 pcs/m
Available Color	RGB	RGB	RGB
Min. cutting Unit	6 LEDs	6 LEDs	15 LEDs
Min. cutting length	10cm	8.33cm	25cm
Max. length single feed	10m	10m	20m
Max. length double feed	20m	20m	40m
Bending direction	Horizontally		
Lumen maintenance	70 000 Hours L70 25°C , 50 000 Hours L70 50°C		
Housing material	Eco PVC or Silicone		
Installation temperature	0°C to -55°C		
Ambient temperature	-25°C to +55°C		
Ingress protection	IP68 wet location submersible* to 2m		
Warranty	3 years as standard, 5 years warranty maximum		

Lumen Output

S15-24V-5050-60-12W

Red Color
Lumen : >35lm/m

Red (R) 630-650nm



Green Color
Lumen : >100lm/m

Green (G) 530-550nm

Blue Color
Lumen : >25lm/m

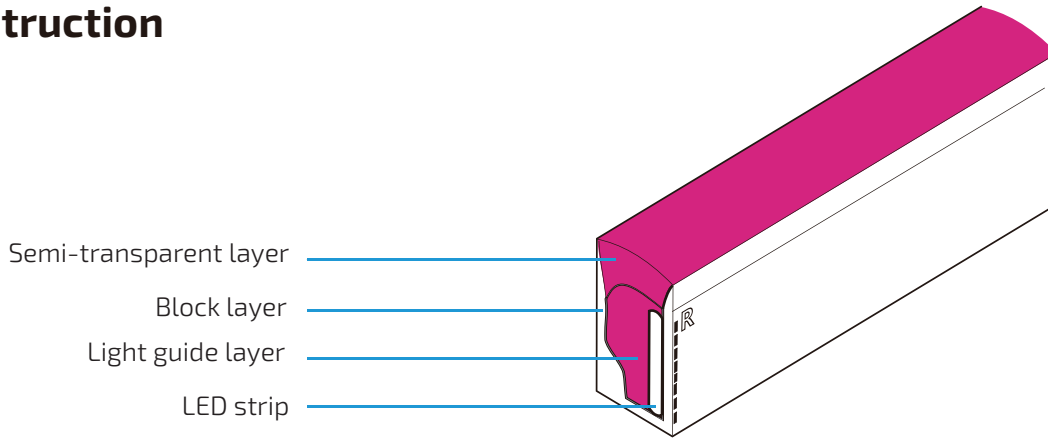
Blue (B) 465-475nm

[For more information](#)

Email: sales@tested.com

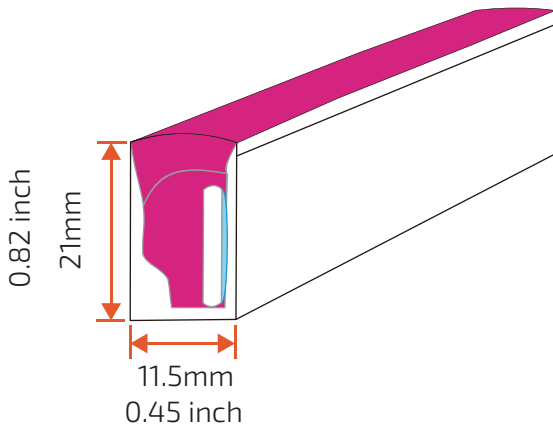
Or visit www.tesled.com

Construction

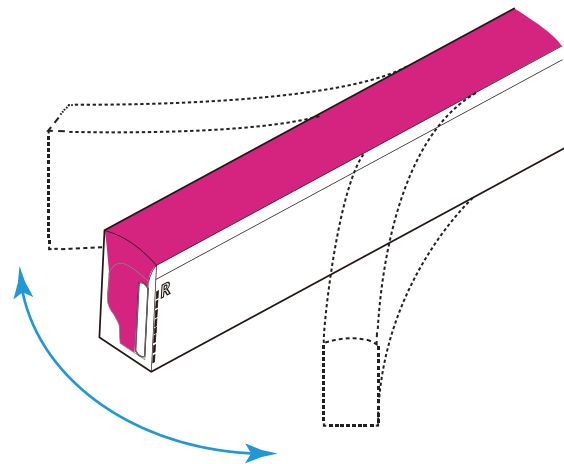


Physical Specification

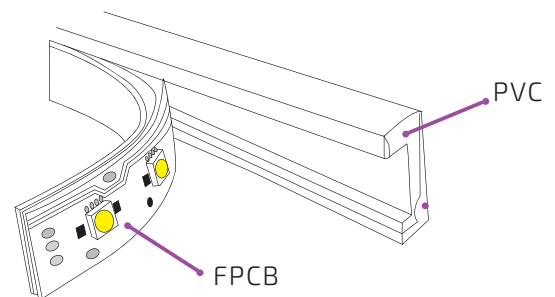
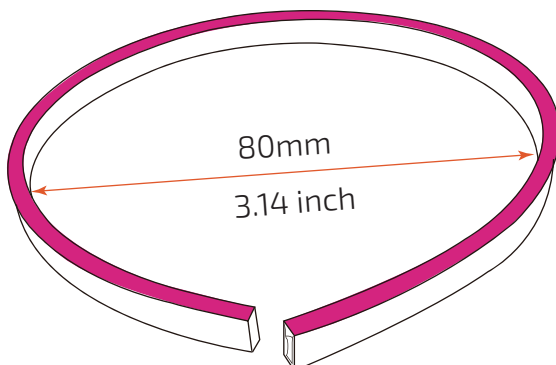
Light profile



Bending direction



Min. bending diameter



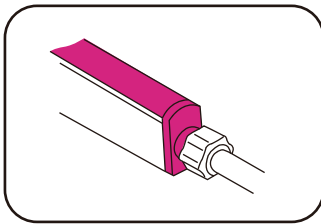
[For more information](#)

Email: sales@tested.com

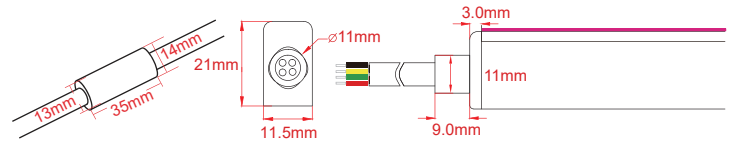
Or visit www.tesled.com

Mold injection connector

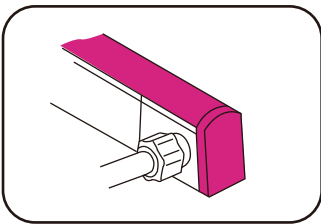
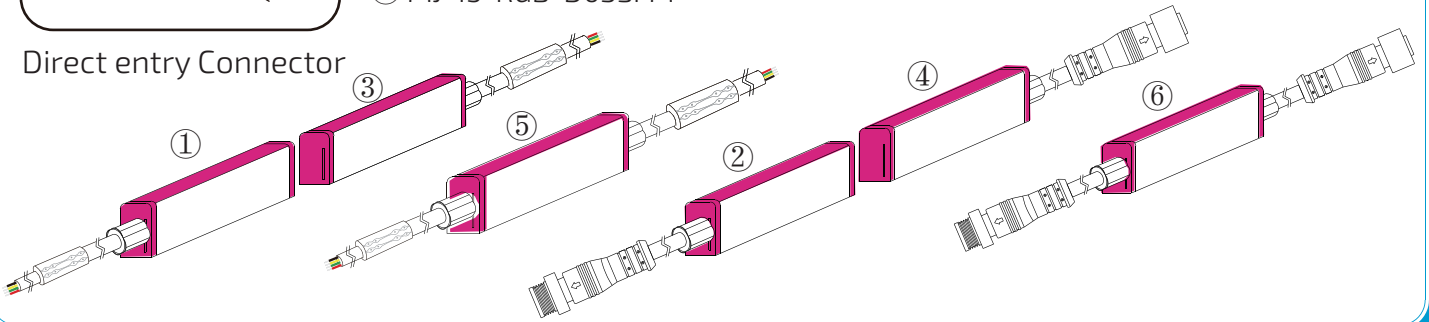
(IP68 Factory Assembly only)



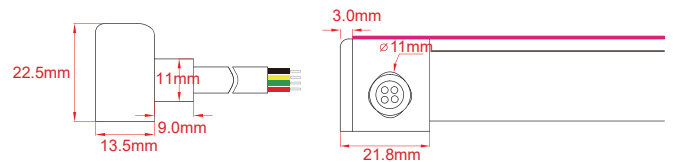
- ① MJ-15-RGB-D01
- ② MJ-15-RGB-D01SM
- ③ MJ-15-RGB-D02
- ④ MJ-15-RGB-D02SF
- ⑤ MJ-15-RGB-D03
- ⑥ MJ-15-RGB-D03SFM



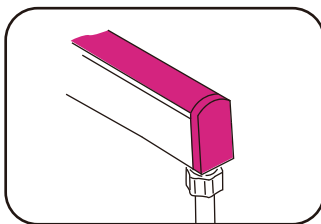
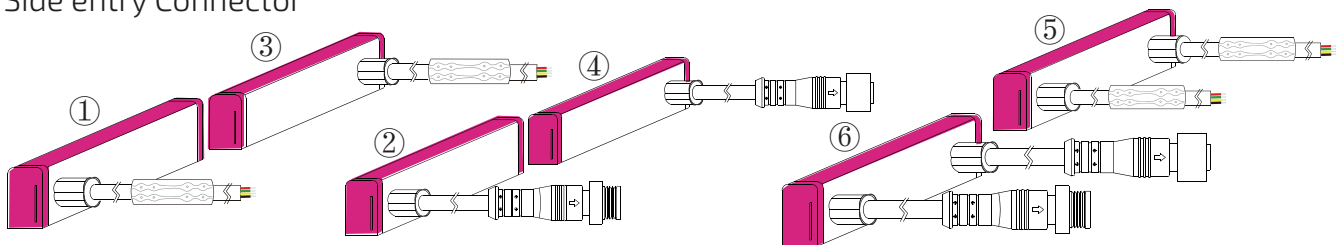
Direct entry Connector



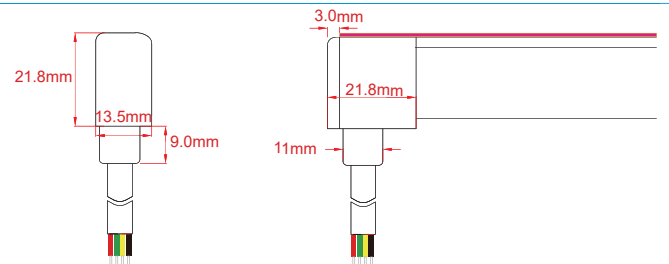
- ① MJ-15-RGB-S01
- ② MJ-15-RGB-S01SM
- ③ MJ-15-RGB-S02
- ④ MJ-15-RGB-S02SF
- ⑤ MJ-15-RGB-S03
- ⑥ MJ-15-RGB-S03SFM



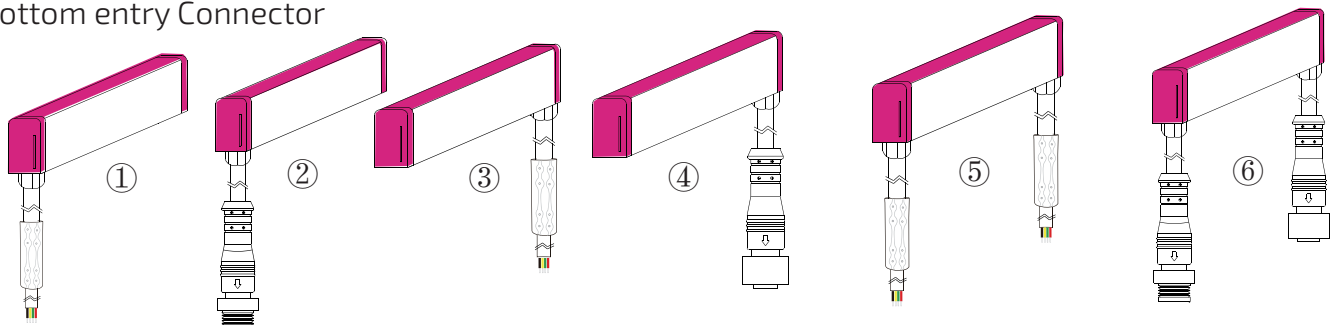
Side entry Connector



- ① MJ-15-RGB-B01
- ② MJ-15-RGB-B01SM
- ③ MJ-15-RGB-B02
- ④ MJ-15-RGB-B02SF
- ⑤ MJ-15-RGB-B03
- ⑥ MJ-15-RGB-B03SFM



Bottom entry Connector

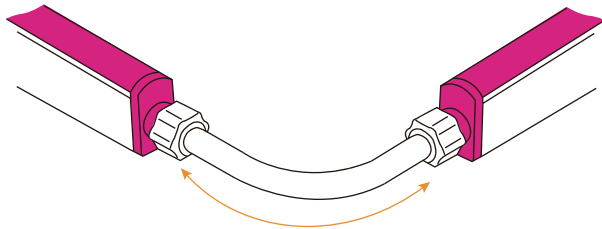


For more information

Email: sales@tested.com

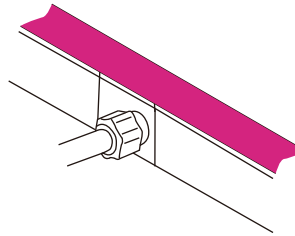
Or visit www.tested.com

Mold injection Jumper



0.3m cable length

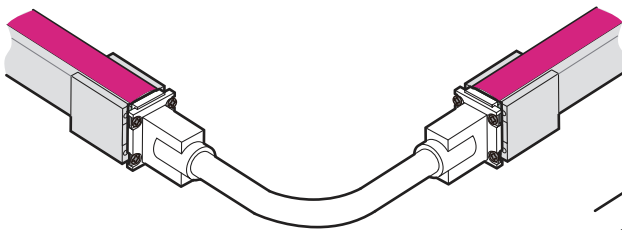
Middle injection Connector



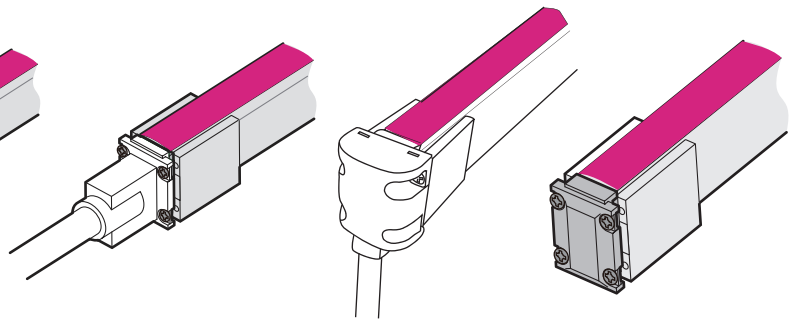
(IP68 Factory Assembly only)

DIY Screw & Snap Connector Kit (IP67 Only)

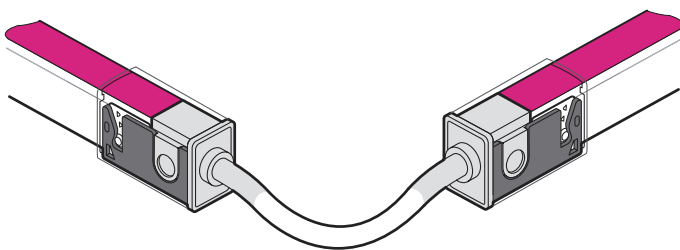
DIY screw splice connector kit



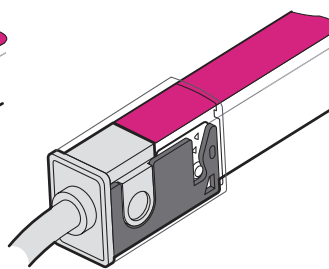
DIY screw connector & End Cap kit



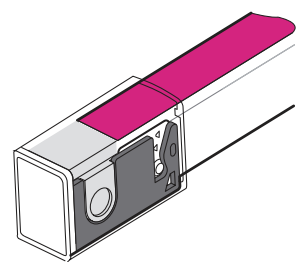
DIY snap splice connector kit



DIY snap connector kit



(IP67 Only)



DIY snap front connector

DIY snap end cap

Type	Model	
Middle injection Connector	MJ-15-RGB-M01-06	
DIY snap splice connector	DIY-SC-Middle-15	
DIY screw connector kit Jumper	DIY-SC-EXT-15-RGB	
DIY screw front connector	DIY-SC-FR-15-D-01/02-RGB	DIY-SC-FR-15-B-01/02-RGB
DIY screw end cap kit	DIY-SC-END-15	Noted: 01- Right direction 02- Left direction
DIY snap front connector	DIY-SN-FR-15-D-01/02-RGB	
DIY screw end cap kit	DIY-SN-END-01/02-15	

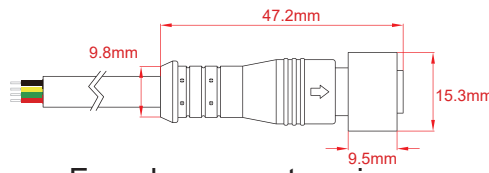
[For more information](#)

Email: sales@tested.com

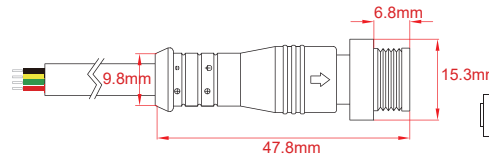
Or visit www.tesled.com

Other Accessories

Female & Male Connector

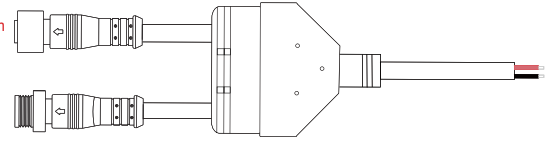


Female connector wire
SYZ-M12-F-4C-05-W

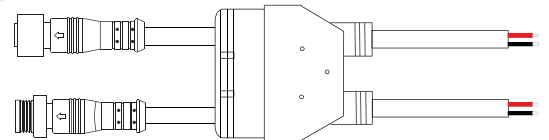


Male connector wire
SYZ-M12-M-4C-05-W

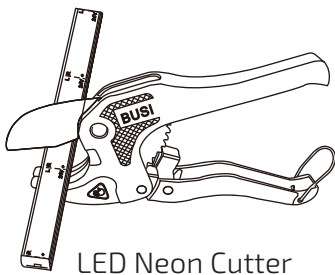
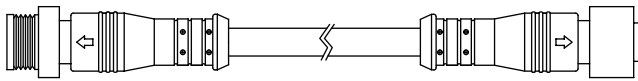
Middle power connector



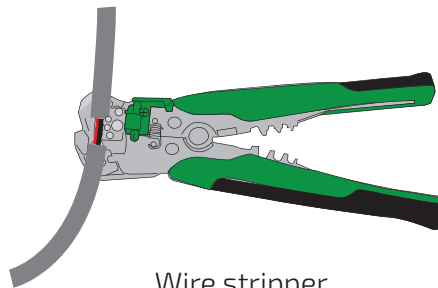
MID-CNR-RGB-1T2



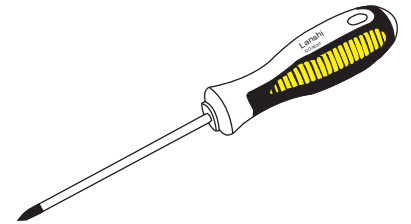
MID-CNR-RGB-2T2



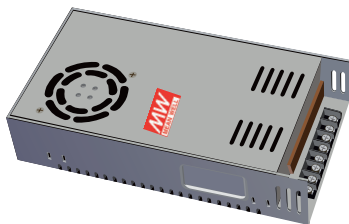
LED Neon Cutter
ACC-TOOL-C1



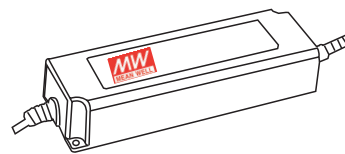
Wire stripper
ACC-TOOL-WS01



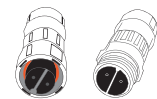
Screwdriver
ACC-TOOL-C2



Mean Well Transformer
Non-waterproof Series



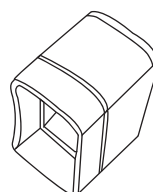
Mean Well Transformer
Waterproof Series



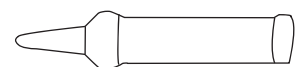
Female & male wire connector
KJ-M12-4P-F/ KJ-M12-4P-M



Silicone Rubber
K-5905



PVC End Cap
DIY-PVC-END-15



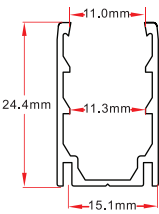
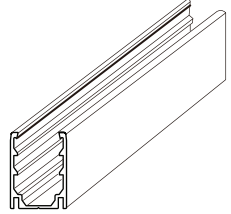
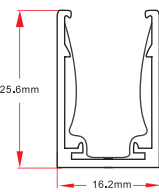
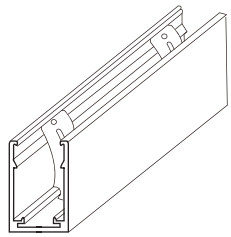
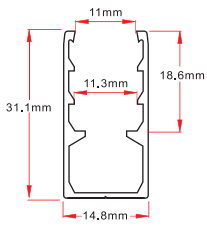
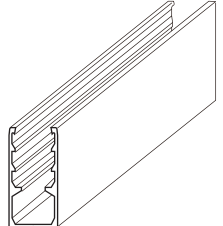
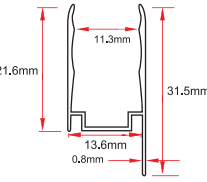
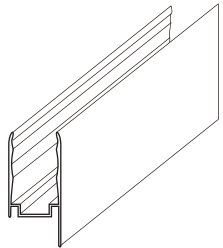
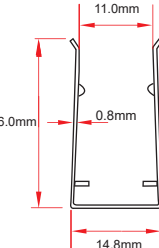
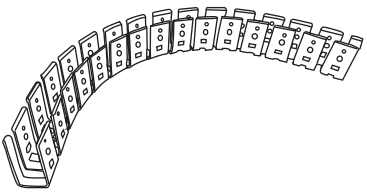
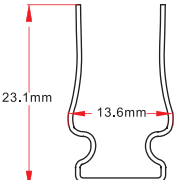
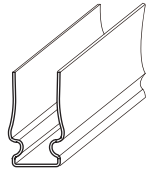
Assistant Tool
ACC-TOOL-C3

For more information

Email: sales@tested.com

Or visit www.tesled.com

Mounting Channel

Model	Description	Dimension	Drawing
ALC15S01	Use for : S15 & S21 Length option: 1m, 2m, 35mm Material: Aluminum alloy Optional color: AS/AB/PW Type: Standard		
ALC15S02	Use for : S15 & S21 Length option: 1m, 2m, 35mm Material: Aluminum alloy Optional color: AS/AB/PW Type: Anti-drop for upside down installation		
ALC15H01	Use for : S15 & S21 Length option: 1m, 2m, 35mm Material: Aluminum alloy Optional color: AS/AB/PW Type: Cable hiding		
ALC15V01	Use for : S15 & S21 Length option: 1m, 2m, 35mm Material: Aluminum alloy Optional color: AS/AB/PW Type: Vertical installation		
SSC15FLX	Use for : S15 & S21 Length option: 10cm, 30cm, 50cm, 100cm Material: Stainless steel Optional color: Polished Type: Flexible		
SSC15S01	Use for : S15 & S21 Length option: 5cm Material: Stainless steel Optional color: Natural color Type: 316 stainless steel		

For more information

Email: sales@tested.com

Or visit www.tesled.com

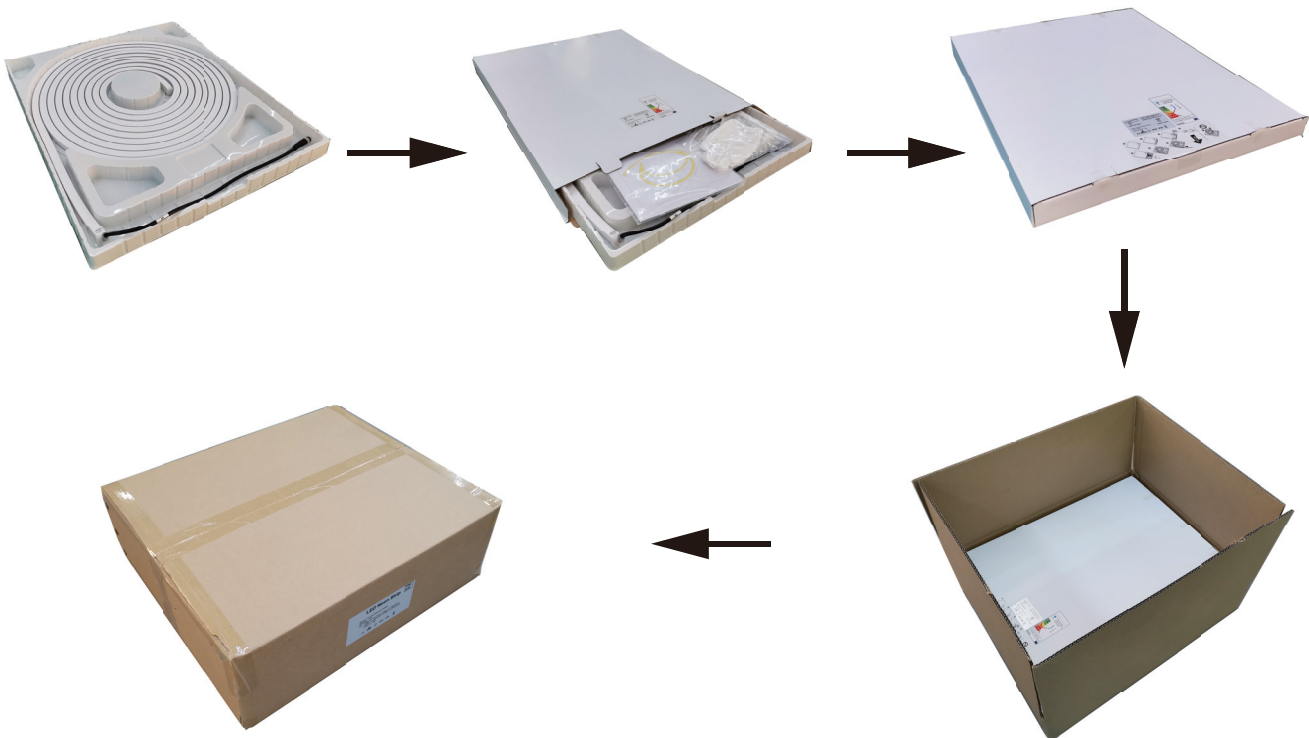
Packing

Standard: Carton (Paper reel inside)



Fixture Length	Paper Reel	Carton Dimension	Gross Weight
787.4in(20m)	D12.99*H6.18in(33*15.7cm)	33*33*18cm	17.63 lbs (8 kg)
787.4in(30m)	D12.99*H6.18in(33*15.7cm)	33*33*18cm	26.45 lbs (12 kg)

Custom: Carton (White box+plastic plate inside)



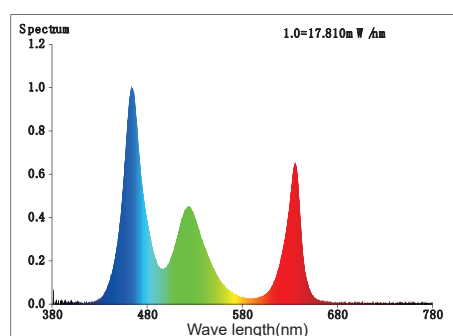
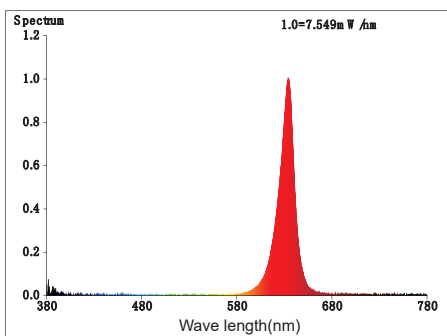
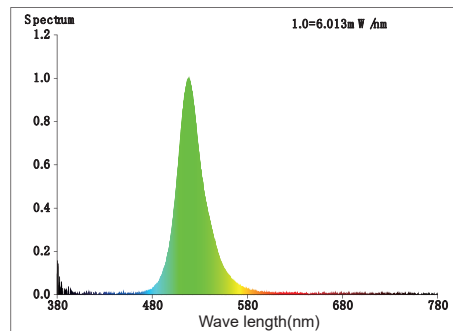
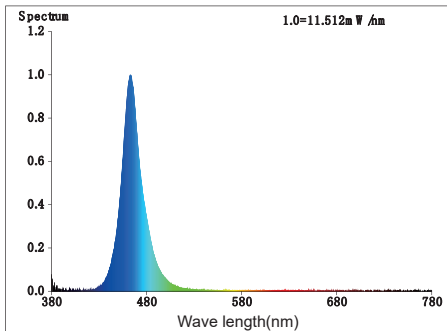
Fixture Length	White box Dimension	Carton Dimension	White box Quantity	Gross Weight
196.85in(5m)	13.78*1.65*18.11in(38*3*38 cm)	41*41*16cm	Max 4pcs	17.63 lbs (8 kg)
393.7in(10m)	21.6*1.38*18.9in(55*3.5*48cm)	57*49*19cm	Max 5pcs	44.09 lbs (20 kg)

[For more information](#)

Email: sales@tested.com

Or visit www.tesled.com

Testing

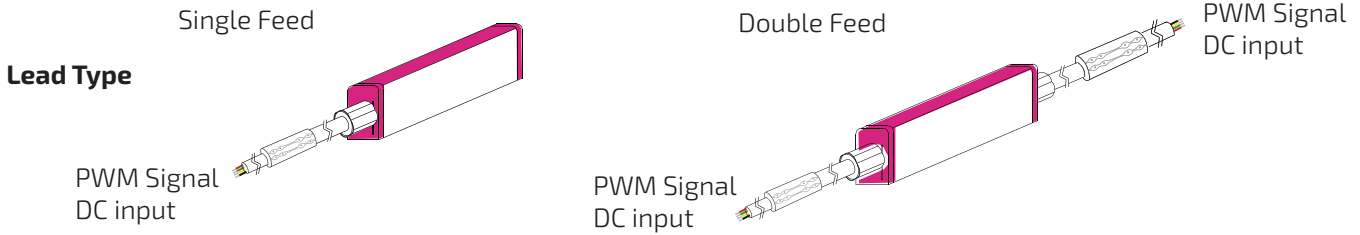


1. Please note it is under normal range if there is 20-30% yellowing of PVC housing material when the product is used under direct sunlight or long-term high temperature & wet environment in 3 years.
2. About the tolerance range of optical parameters (luminance, CCT, Watt, RA) for all product, the volume is plus and minus 10% fluctuation referring to IEC Standard.
3. It's normal for the tolerance range in total length, it occurs from the different production technology, environmental temperature and installation. The volume would be 0.1-5M±7mm, 5.1-10M±15mm, 10.1-20M±30mm.

Loading Chart

Power supply

Rated power	35W	60W	75W	80W	100W	120W	150W	185W	240W	320W
12W	2m	4m	5m	6m	7.5m	8m	10m	12.3m	16m	20m
13W	2m	3.5m	4.5m	4.8m	6m	7m	9m	10m	13.5m	19m



Note: These are the max recommended run lengths based on power supply
 For example: It is recommended to use one 80W power supply for a single-feed run of 6m at 12W/m.

Recommendation of extension wire

Maximum extension wire length according to Light power

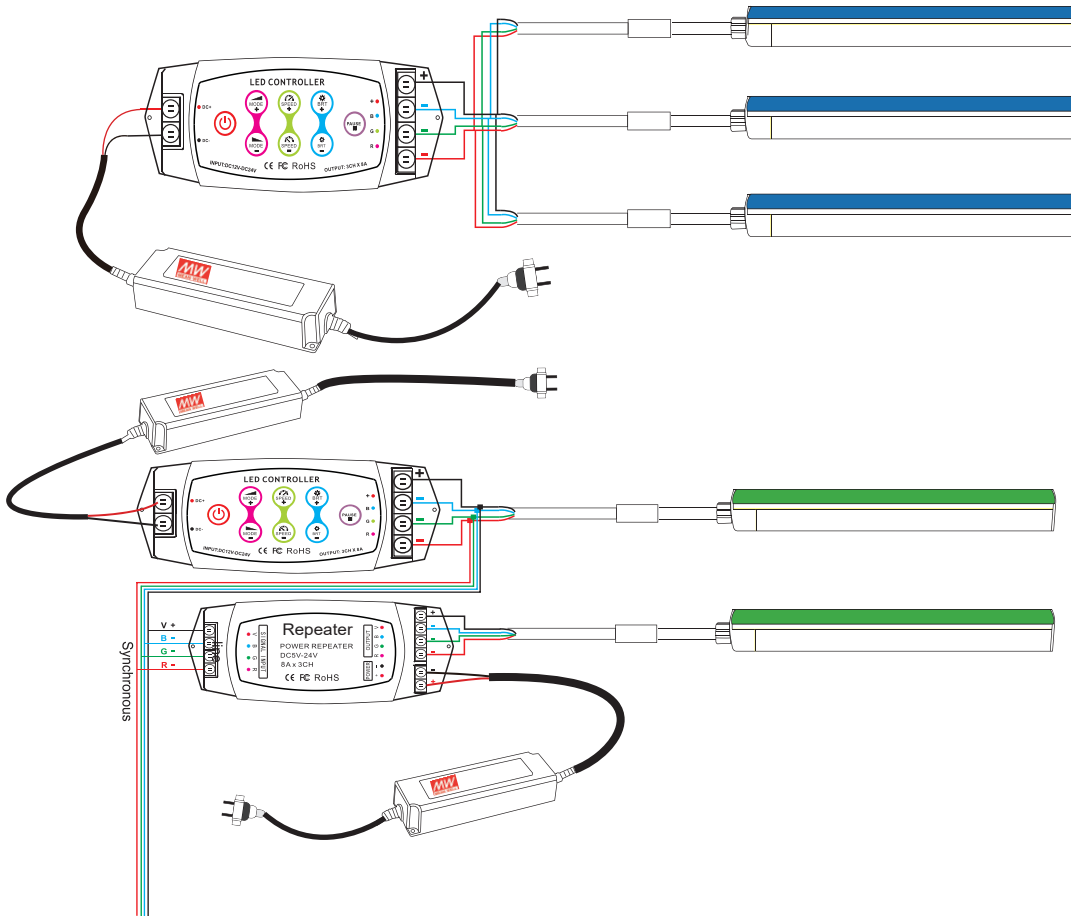
Watts of light	22AWG 0.34mm ²	20AWG 0.53mm ²	18AWG 0.82mm ²	17AWG 1.04mm ²	16AWG 1.38mm ²	14AWG 2.07mm ²	12AWG 3.29mm ²	10AWG 5.62mm ²
10W	36m	60m	100m	120m	140m	240m	400m	600m
20W	18m	30m	50m	60m	70m	120m	200m	300m
30W	12m	20m	30m	38m	45m	80m	130m	200m
40W	8m	15m	22m	28m	35m	60m	95m	140m
50W	6m	12m	18m	22m	28m	48m	75m	105m
60W	5m	10m	15m	18m	22m	36m	60m	88m
70W	/	8m	12m	14m	18m	30m	50m	72m
80W	/	6m	10m	11m	14m	24m	40m	58m
90W	/	4m	7m	8m	10m	18m	30m	45m
100W	/	/	5m	6m	7m	12m	22m	32m
110W	/	/	3m	4m	5m	8m	15m	22m
120W	/	/	2m	2.5m	3m	0m	8m	12m

Note:

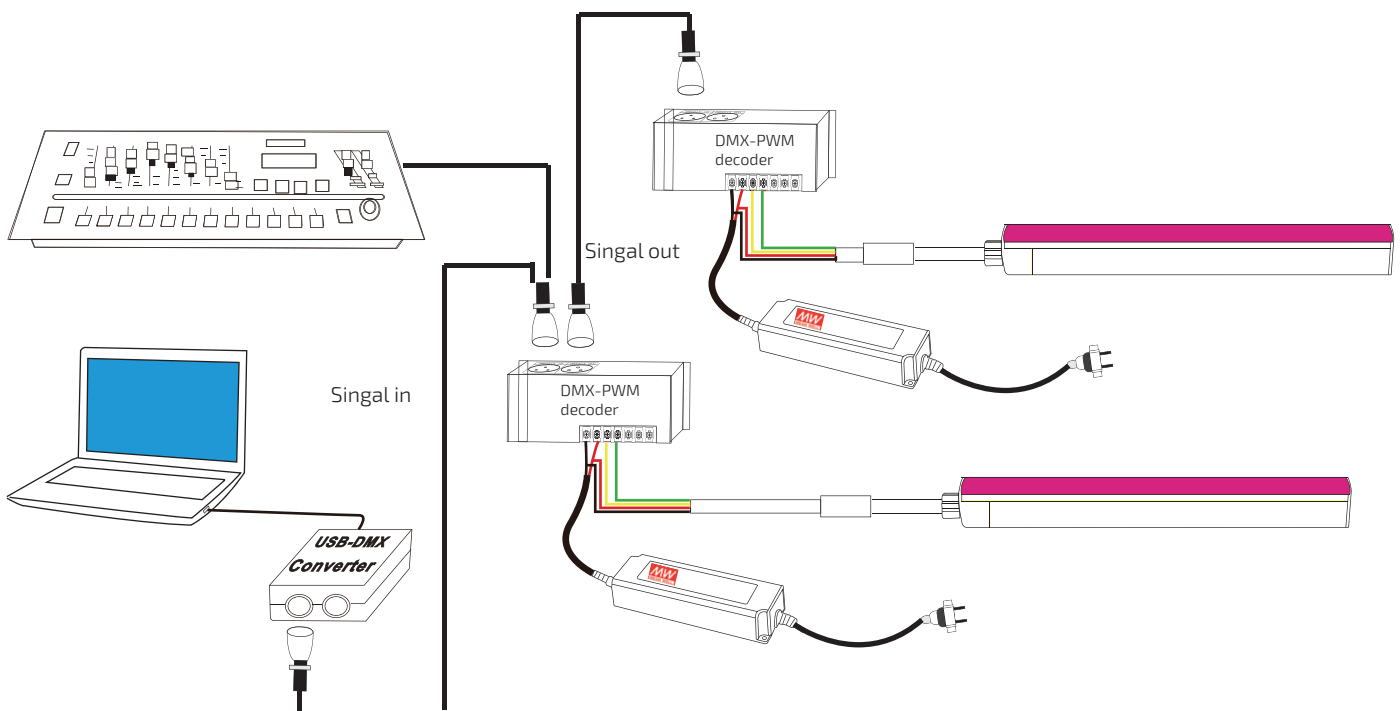
- The values doesn't include the 0.6m cable connected to the front connector.
- To ensure the reliability of wire connection and avoid problem of voltage drop, the extension wire length should be smaller than the above recommended values.

Connection Diagram

Connect with CTR-361 PWM controller



Connect with DMX512 controller or DMX Console



For more information

Email: sales@tested.com

Or visit www.tesled.com